



**HYDRAULIC SINGLE ACTING
QUARTER TURN
SCOTCH-YOKE ACTUATOR**

series RJOM-RSOM-RWOM-RCOM

SERVOVALVE spa

Via Quasimodo 27 - 20010 S.STEFANO TICINO (MI)

PHONE: 0039 - 029748461

FAX: 0039 - 0297484646

E-mail: servovalve@servovalve.it

HYDRAULIC QUARTER TURN ACTUATOR SCOTCH-YOKE EXECUTION

SINGLE ACTING

SERIES RJOM - RSOM - RWOM - RCOM

DESCRIPTION

All the Servovalve series of quarter-turn scotch-yoke actuators are designed and manufactured for the transmission of high torque suited for ball or butterfly valves, plug etc for on-off or throttling service.

The design, engineering and materials used in construction ensure optimum performances in the heaviest work condition in every environment according to the international standard specifications.

In the central housing a slotted link kinematism provides to transform the linear motion of the rod into the rotary motion of the valve shaft.

The rod is alternatively pushed either from the thrust of a hydraulic cylinder piston or from a compressed spring.

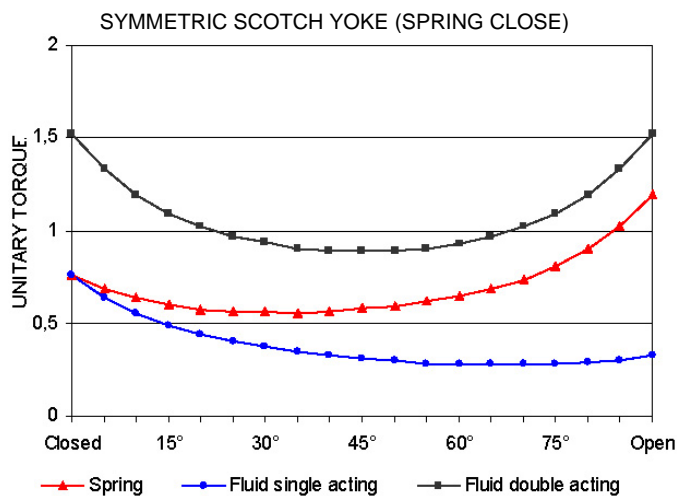
The central housing is designed to accept different types of scotch-yoke mechanisms (symmetrical, clockwise or counter-clockwise canted) to allow the choice of the best actuator performance for every kind of valve.

These actuators can be supplied with two kinds of kinematism: symmetrical (**RJOM** and **RSOM** series) or canted (**RWOM** and **RCOM** series)



SYMMETRICAL SCOTCH-YOKE

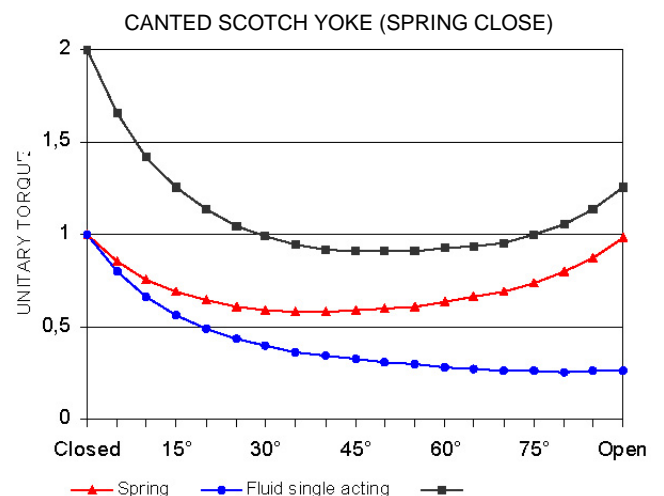
RJOM and **RSOM** series are available for the on-off or throttling valves in which it is requested an exalted torque during all the valve shaft running.



(typical output torque diagram with symmetrical scotch-yoke)

CANTED SCOTCH-YOKE

RWOM and **RCOM** series are ideally suited for the valves where it is requested an exalted torque in a specific final position (generally closed position or failure position) compared to the run and the opposite initial position.



(typical output torque diagram with canted scotch-yoke)

HYDRAULIC QUARTER TURN ACTUATOR SCOTCH-YOKE EXECUTION

SINGLE ACTING

SERIES RJOM - RSOM - RWOM - RCOM

MAIN DESIGN FEATURES

The actuators have a modular construction design.

All actuators have a totally enclosed module that provides complete protection for all moving parts, minimises the possibility of internal misalignment, and reduce the chance of injury to operating personnel.

They are realised with a central housing to which a hydraulic cylinder and a springs cartridge can be coupled in either opposite side.

Every central body can be equipped with a series of standard hydraulic cylinders and with a special springs cartridge to obtain the best choice of the actuator in every kind of application.

The chromium plated rod, sliding on PTFE charged bushings, turns the link by the cylinder piston and spring action alternatively to ensure minimum friction and long service life.

For the bigger actuators (series RCOM and RSOM) alloy steel chromium plated bar supports the transverse load thrust of the scotch-yoke to assure a regular movement also in a continuous throttling action.

The hydraulic cylinder are refaced and chromium plated.

The spring cartridge, fully closed to prevent spring corrosion in aggressive environment, is designed to allow the replacement of the springs in field with the utmost security.

Special safety-stay-bolts allow to open the cartridge and to take out the springs only after the spring preload is discharged; the replaced springs are again preload by means the stay-bolt inscrewing before to close the cartridge without special tools.

The piston is equipped with a PTFE charged slide to assure a linear drive and alignment under all load conditions allowing a long life and a perfect tight of two o-ring gaskets.

Link and joint block are connected by two hard bronze alloy sliding rings to allow a low friction factor and minimise wear of moving parts.

Field adjustable travel-stop are available in both directions to optimise the required valve stroke

The central cover is equipped of a standard valve position indicator.

SPECIAL EXECUTION

Units with particular materials for special environmental conditions (low or high temperature, aggressive medium ect.) can be supplied on request.

MANUAL EMERGENCY DEVICE

All series of actuator can be equipped with a manual emergency device as:

- handwheel
- manual reductor with handwheel
- hydraulic manual oil pump, tank and relevant equipment

EQUIPMENTS

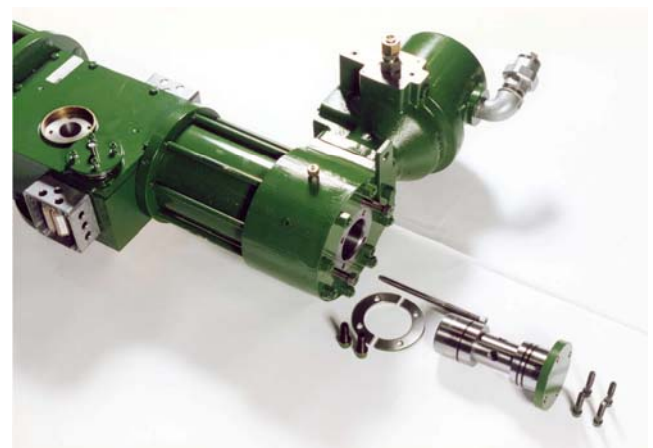
Each execution can be equipped with devices and accessories for the local or remote action and control as:

- limit switches
- on-off solenoid valve
- modulating solenoid valve
- flow control valve
- position transmitter
- accumulator for emergency
- hydraulic power unit and special hydraulic and electric equipment

TEST

Every detail have been designed and tested with care and is then checked during the production process (from the receipt of the raw materials to final testing) against the strictest reliability criteria required under the ISO EN 9001 quality norm, which has been fully adopted by Servovalve.

All finished actuators are tested and certified by the Servovalve quality service before being released to external testers at the various authorising bodies and the customer's own inspectors.



HYDRAULIC QUARTER TURN ACTUATOR SCOTCH-YOKE EXECUTION

SINGLE ACTING

SERIES RJOM - RSOM - RWOM - RCOM

TECHNICAL PERFORMANCE

Pressure range:

Minimum working pressure: 10 bar

Maximum working pressure: see technical sheet

Cylinder test pressure: 1,5 max allowable pressure

Actuator test: 1,2 actuator working pressure

On request available for higher work and max pressure

Angular stroke:

Turn: 90° +/- 5°

Environmental temperature range:

min: -20°C

max: +80°C

On request for lower or higher temperature

Operating medium:

oil

gas

any medium compatible with standard materials

Actuator seals gaskets:

standard: N.B.R. (-20°C + 80°C)

low temp: fluorosilicone

high temp: viton

Painting:

Standard execution has surface protection with:

sandblasting

1 primer layer

1 epoxy finish layer

On request available other painting

Standard execution:

Without any other indication the cylinder and the spring cartridge are assembled to the central housing in way to fail with spring rotating clockwise (watching the actuator from the top).

Only on request actuators can be supplied with spring rotating counter-clockwise.

Fail rotation:

The spring cartridge and the cylinder can be assembled to both sides of the central housing to ensure spring return action (fail position) in either clockwise or counter-clockwise direction.



CERTIFICATION

From 1995 Servovalve was awarded certification by international body DNV due to its full compliance with Quality Norm EN 9001.

From 2002 Servovalve actuators can be supplied with the CE mark according to the 97/23/CE directive (PED) and ATEX directive 94/9/ce under the approval of the notified body DNV.

SERVICE

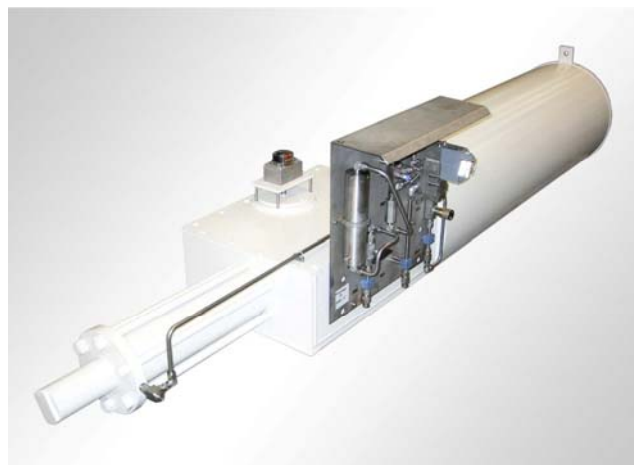
The Servovalve personnel guarantees prompt assistance to the customer during the start up of the plant and its normal working life.

MAINTENANCE

The inner parts of the actuator are life-lubricated, therefore only replacement of the rubber gaskets may become necessary after a long working time as pointed out in the operating book.

SPECIAL ACTUATORS

Actuator for special performances or for torque requirements greater than shown, please contact our sales department.

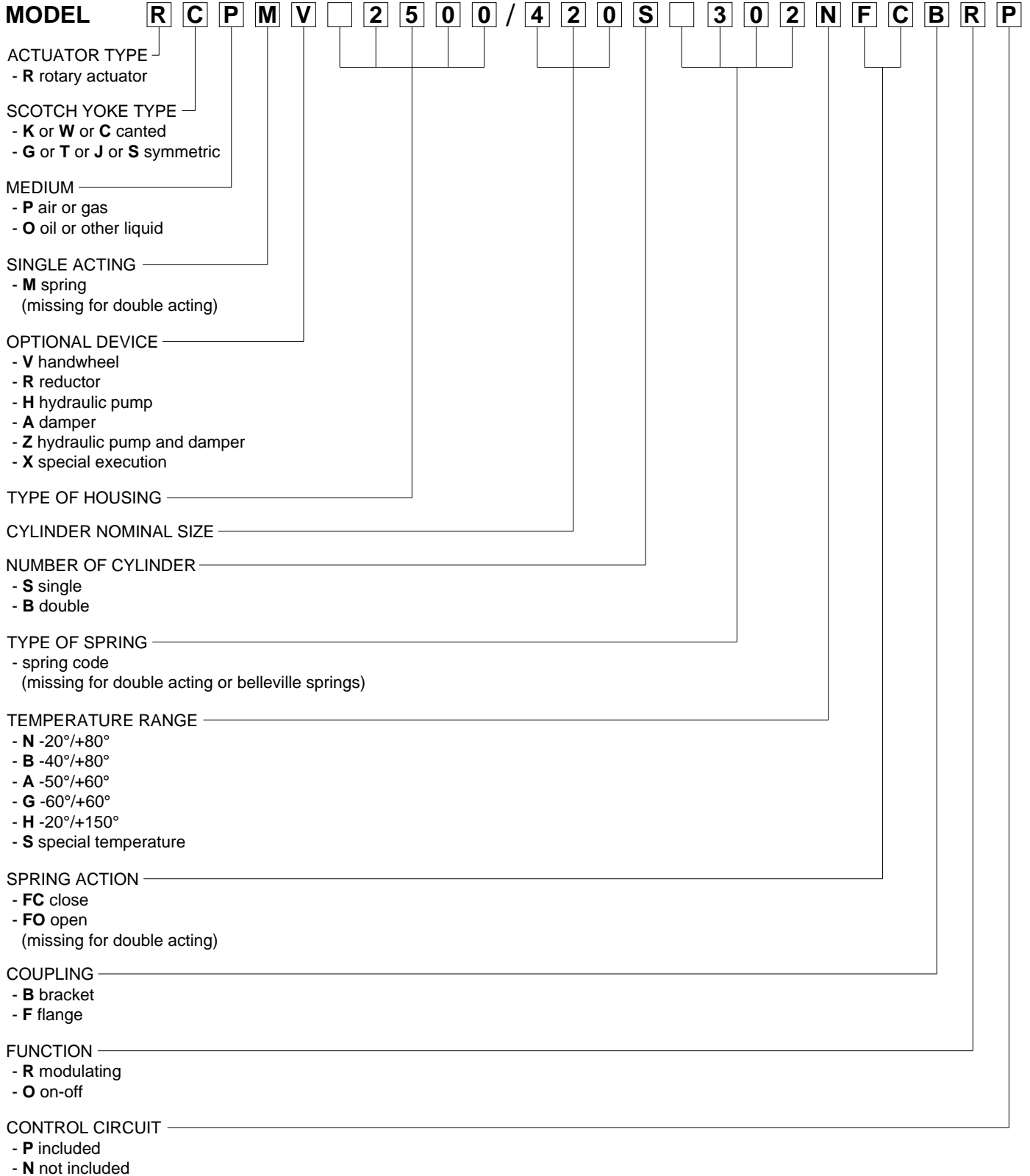


HYDRAULIC QUARTER TURN ACTUATOR SCOTCH-YOKE EXECUTION

SINGLE ACTING

SERIES RJOM - RSOM - RWOM - RCOM

SCOTCH YOKE ACTUATOR CODE MODE



HYDRAULIC QUARTER TURN ACTUATOR SCOTCH-YOKE EXECUTION

SINGLE ACTING ACTUATORS TORQUE

SERIES RJOM - RSOM

SYMMETRIC

SPRING TO CLOSE or **SPRING TO OPEN**

| ACTUATOR TYPE | SPRING | SPRING | | | OIL MIN PRESSURE | | | | | | | | | | | | | | | PRESS. MAX. | OIL DIS- PLACED | APPROX. WEIGHT |
|------------------|--------|--------|------|------|------------------|------|------|--------|------|------|---------|------|-------|---------|------|-------|---------|------|-------|----------------|--------------------|-------------------|
| | | BREAK | RUN | END | 50 bar | | | 80 bar | | | 100 bar | | | 120 bar | | | 150 bar | | | | | |
| | | Nm | Nm | Nm | BREAK | RUN | END | BREAK | RUN | END | BREAK | RUN | END | BREAK | RUN | END | BREAK | RUN | END | | | |
| RJOM 900/60/.. | 209 | 1740 | 780 | 1060 | | | | 1400 | 580 | 720 | 2020 | 950 | 1340 | 2630 | 1320 | 1950 | 3560 | 1860 | 2880 | 220 | 0.5 | 180 |
| | 201 | 2390 | 1080 | 1450 | | | | 1010 | 70 | 70 | 1630 | 600 | 690 | 2240 | 990 | 1300 | 3170 | 1540 | 2230 | 220 | 0.5 | 200 |
| | 202 | 3430 | 1540 | 2080 | | | | | | | | | | 1610 | 270 | 260 | 2540 | 1000 | 1190 | 220 | 0.5 | 230 |
| | 203 | 4190 | 1890 | 2540 | | | | | | | | | | | | | 2080 | 430 | 430 | 220 | 0.5 | 270 |
| RJOM 900/80/.. | 209 | 1740 | 780 | 1060 | 1680 | 750 | 1000 | 3320 | 1720 | 2640 | 4410 | 2370 | 3730 | 5510 | 3020 | 4830 | 7150 | 3990 | 6470 | 185 | 0.9 | 190 |
| | 201 | 2390 | 1080 | 1450 | 1290 | 340 | 350 | 2930 | 1390 | 1990 | 4020 | 2040 | 3080 | 5120 | 2690 | 4180 | 6760 | 3660 | 5820 | 190 | 0.9 | 210 |
| | 202 | 3430 | 1540 | 2080 | 2300 | 840 | 950 | 3390 | 1520 | 2040 | 4490 | 2170 | 3140 | 4490 | 2170 | 3140 | 6130 | 3140 | 4780 | 200 | 0.9 | 230 |
| | 203 | 4190 | 1890 | 2540 | 1840 | 190 | 190 | 2930 | 1100 | 1280 | 4030 | 1790 | 2380 | 4030 | 1790 | 2380 | 5670 | 2760 | 4020 | 210 | 0.9 | 280 |
| RJOM 900/90/.. | 201 | 2390 | 1080 | 1450 | 2010 | 850 | 1070 | 4090 | 2080 | 3150 | 5470 | 2900 | 4530 | 6860 | 3720 | 5920 | 8940 | 4960 | 8000 | 150 | 1.1 | 210 |
| | 202 | 3430 | 1540 | 2080 | 1380 | 40 | 30 | 3460 | 1560 | 2110 | 4840 | 2380 | 3490 | 6230 | 3210 | 4880 | 8310 | 4440 | 6960 | 160 | 1.1 | 240 |
| | 203 | 4190 | 1890 | 2540 | 3000 | 1150 | 1350 | 4380 | 2000 | 2730 | 5770 | 2820 | 4120 | 5770 | 2820 | 4120 | 7850 | 4060 | 6200 | 165 | 1.1 | 290 |
| | 204 | 5220 | 2350 | 3170 | 2370 | 320 | 320 | 3750 | 1450 | 1700 | 5140 | 2300 | 3090 | 5140 | 2300 | 3090 | 7220 | 3540 | 5170 | 175 | 1.1 | 310 |
| RJOM 900/100/.. | 202 | 3430 | 1540 | 2080 | 2190 | 770 | 840 | 4760 | 2330 | 3410 | 6470 | 3350 | 5120 | 8180 | 4360 | 6830 | | | | 130 | 1.4 | 250 |
| | 203 | 4190 | 1890 | 2540 | 1730 | 90 | 80 | 4300 | 1950 | 2650 | 6010 | 2970 | 4360 | 7720 | 3980 | 6070 | | | | 135 | 1.4 | 300 |
| | 204 | 5220 | 2350 | 3170 | 3670 | 1390 | 1620 | 5380 | 2450 | 3330 | 7090 | 3460 | 5040 | | | | | | | 140 | 1.4 | 320 |
| | 202 | 3430 | 1540 | 2080 | 3090 | 1350 | 1740 | 6190 | 3190 | 4840 | 8260 | 4410 | 6910 | | | | | | | 110 | 1.7 | 270 |
| RJOM 900/110/.. | 203 | 4190 | 1890 | 2540 | 2630 | 900 | 980 | 5730 | 2800 | 4080 | 7800 | 4030 | 6150 | | | | | | | 110 | 1.7 | 320 |
| | 204 | 5220 | 2350 | 3170 | 5100 | 2280 | 3050 | 7170 | 3510 | 5120 | 9240 | 4740 | 7190 | | | | | | | 120 | 1.7 | 340 |
| | 202 | 3430 | 1540 | 2080 | 4600 | 2240 | 3250 | 8610 | 4610 | 7260 | | | | | | | | | | 85 | 2.2 | 270 |
| | 203 | 4190 | 1890 | 2540 | 4140 | 1860 | 2490 | 8150 | 4230 | 6500 | | | | | | | | | | 85 | 2.2 | 320 |
| RJOM 1400/80/.. | 301 | 2820 | 1360 | 1960 | 1260 | 390 | 400 | 3190 | 1580 | 2330 | 4480 | 2340 | 3620 | 5760 | 3110 | 4900 | 7690 | 4250 | 6830 | 220 | 1.0 | 320 |
| | 302 | 4030 | 1940 | 2800 | 2350 | 930 | 1120 | 3640 | 1710 | 2410 | 4920 | 2470 | 3690 | 4920 | 2470 | 3690 | 6850 | 3620 | 5620 | 220 | 1.0 | 350 |
| | 303 | 4930 | 2380 | 3420 | 1730 | 220 | 220 | 3020 | 1230 | 1510 | 4300 | 2000 | 2790 | 6230 | 3150 | 4720 | 6230 | 3150 | 4720 | 220 | 1.0 | 390 |
| | 304 | 6140 | 2960 | 4270 | 2170 | 290 | 300 | 2170 | 290 | 300 | 3450 | 1340 | 1580 | 5380 | 2510 | 3510 | 5380 | 2510 | 3510 | 220 | 1.0 | 470 |
| RJOM 1400/90/.. | 301 | 2820 | 1360 | 1960 | 2110 | 940 | 1250 | 4560 | 2390 | 3700 | 6190 | 3360 | 5330 | 7820 | 4320 | 6960 | 10260 | 5770 | 9400 | 195 | 1.3 | 330 |
| | 302 | 4030 | 1940 | 2800 | 1270 | 40 | 40 | 3720 | 1760 | 2490 | 5350 | 2720 | 4120 | 6980 | 3690 | 5750 | 9420 | 5140 | 8190 | 205 | 1.3 | 350 |
| | 303 | 4930 | 2380 | 3420 | 3100 | 1280 | 1590 | 4730 | 2250 | 3220 | 6360 | 3220 | 4850 | 8800 | 4670 | 7290 | 8800 | 4670 | 7290 | 215 | 1.3 | 400 |
| | 304 | 6140 | 2960 | 4270 | 2250 | 370 | 380 | 3880 | 1610 | 2010 | 5510 | 2590 | 3640 | 7950 | 4040 | 6080 | 7950 | 4040 | 6080 | 220 | 1.3 | 470 |
| | 313 | 7740 | 3730 | 5380 | 2770 | 400 | 410 | 2770 | 400 | 410 | 4400 | 1710 | 2040 | 6840 | 3200 | 4480 | 6840 | 3200 | 4480 | 220 | 1.3 | 490 |
| | 305 | 8830 | 4260 | 6130 | 3650 | 940 | 950 | 3650 | 940 | 950 | 6090 | 2630 | 3390 | 6090 | 2630 | 3390 | 6090 | 2630 | 3390 | 220 | 1.3 | 550 |
| | 302 | 4030 | 1940 | 2800 | 2230 | 850 | 1000 | 5250 | 2660 | 4020 | 7260 | 3860 | 6030 | 9270 | 5050 | 8040 | 12290 | 6840 | 11060 | 165 | 1.6 | 360 |
| RJOM 1400/100/.. | 303 | 4930 | 2380 | 3420 | 1610 | 100 | 100 | 4630 | 2200 | 3120 | 6640 | 3390 | 5130 | 8650 | 4580 | 7140 | 11670 | 6370 | 10160 | 175 | 1.6 | 410 |
| | 304 | 6140 | 2960 | 4270 | 3780 | 1540 | 1910 | 5790 | 2750 | 3920 | 7800 | 3950 | 5930 | 10820 | 5730 | 8950 | 10820 | 5730 | 8950 | 180 | 1.6 | 480 |
| | 313 | 7740 | 3730 | 5380 | 2670 | 300 | 310 | 4680 | 1890 | 2320 | 6690 | 3110 | 4330 | 9710 | 4900 | 7350 | 9710 | 4900 | 7350 | 195 | 1.6 | 500 |
| | 305 | 8830 | 4260 | 6130 | 3930 | 1190 | 1230 | 3930 | 1190 | 1230 | 5940 | 2540 | 3240 | 8960 | 4330 | 6260 | 8960 | 4330 | 6260 | 200 | 1.6 | 560 |
| | 302 | 4030 | 1940 | 2800 | 3280 | 1500 | 2050 | 6940 | 3660 | 5710 | 9370 | 5110 | 8140 | 11800 | 6550 | 10570 | | | | 135 | 1.9 | 370 |
| | 303 | 4930 | 2380 | 3420 | 2660 | 1000 | 1150 | 6320 | 3200 | 4810 | 8750 | 4640 | 7240 | 11180 | 6080 | 9670 | | | | 145 | 1.9 | 420 |
| RJOM 1400/110/.. | 304 | 6140 | 2960 | 4270 | 5470 | 2560 | 3600 | 7190 | 3410 | 4830 | 10330 | 5270 | 7970 | 10330 | 5450 | 8460 | 13980 | 7610 | 12110 | 150 | 1.9 | 490 |
| | 313 | 7740 | 3730 | 5380 | 4360 | 1690 | 2000 | 6790 | 3170 | 4430 | 9220 | 4610 | 6860 | 12870 | 6780 | 10510 | 12870 | 6780 | 10510 | 160 | 1.9 | 510 |
| | 305 | 8830 | 4260 | 6130 | 3610 | 900 | 910 | 6040 | 2600 | 3340 | 8470 | 4040 | 5770 | 12120 | 6210 | 9420 | 12120 | 6210 | 9420 | 165 | 1.9 | 570 |
| | 324 | 10180 | 4910 | 7070 | 5100 | 1800 | 1990 | 5100 | 1800 | 1990 | 7530 | 3340 | 4420 | 11180 | 5510 | 8070 | 11180 | 5510 | 8070 | 175 | 1.9 | 640 |
| | 305 | 8830 | 4260 | 6130 | 4440 | 2080 | 2930 | 9150 | 4880 | 7640 | 12290 | 6740 | 10780 | | | | | | | 110 | 2.5 | 430 |
| | 304 | 6140 | 2960 | 4270 | 3590 | 1420 | 1720 | 8300 | 4240 | 6430 | 11440 | 6110 | 9570 | | | | | | | 115 | 2.5 | 500 |
| | 313 | 7740 | 3730 | 5380 | 2480 | 110 | 120 | 7190 | 3410 | 4830 | 10330 | 5270 | 7970 | 13480 | 7130 | 11120 | | | | 125 | 2.5 | 520 |
| RJOM 1400/125/.. | 305 | 8830 | 4260 | 6130 | 6440 | 2840 | 3740 | 9580 | 4700 | 6880 | 12730 | 6570 | 10030 | 12730 | 6570 | 10030 | | | | 130 | 2.5 | 580 |
| | 324 | 10180 | 4910 | 7070 | 5500 | 2070 | 2390 | 8640 | 4000 | 5530 | 11790 | 5860 | 8680 | 11790 | 5860 | 8680 | | | | 135 | 2.5 | 650 |
| | 315 | 11650 | 5620 | 8090 | 4480 | 920 | 920 | 7620 | 3220 | 4060 | 10770 | 5090 | 7210 | 10770 | 5090 | 7210 | | | | 140 | 2.5 | 700 |
| | 304 | 6140 | 2960 | 4270 | 5590 | 2630 | 3720 | 11500 | 6140 | 9630 | | | | | | | | | | 95 | 3.1 | 520 |
| | 313 | 7740 | 3730 | 5380 | 4480 | 1760 | 2120 | 10390 | 5300 | 8030 | 14330 | 7640 | 11970 | | | | | | | 100 | 3.1 | 540 |
| | 305 | 8830 | 4260 | 6130 | 3730 | 1020 | 1030 | 9640 | 4730 | 6940 | 13580 | 7070 | 10880 | | | | | | | 100 | 3.1 | 600 |
| RJOM 1400/140/.. | 324 | 10180 | 4910 | 7070 | 8700 | 4030 | 5590 | 12640 | 6370 | 9530 | | | | | | | | | | 105 | 3.1 | 670 |
| | 315 | 11650 | 5620 | 8090 | 7680 | 3260 | 4120 | 11620 | 5600 | 8060 | | | | | | | | | | 115 | 3.1 | 720 |
| | 304 | 6140 | 2960 | 4270 | 5590 | 2630 | 3720 | 11500 | 6140 | 9630 | | | | | | | | | | 95 | 3.1 | 520 |
| | 313 | 7740 | 3730 | 5380 | 4480 | 1760 | 2120 | 10390 | 5300 | 8030 | 14330 | 7640 | 11970 | | | | | | | 100 | 3.1 | 540 |
| | 305 | 8830 | 4260 | 6130 | 3730 | 1020 | 1030 | 9640 | 4730 | | | | | | | | | | | | | |

HYDRAULIC QUARTER TURN ACTUATOR SCOTCH-YOKE EXECUTION

SINGLE ACTING

SERIES RJOM - RSOM

ACTUATORS TORQUE

SYMMETRIC

SPRING TO CLOSE or **SPRING TO OPEN**

| ACTUATOR TYPE | SPRING | SPRING | | | OIL MIN PRESSURE | | | | | | | | | | | | | | | PRESS. MAX. bar | OIL DIS-PLACED lt | APPROX. WEIGHT kg |
|------------------|--------|--------|------|-------|------------------|------|------|--------|-------|-------|---------|-------|-------|---------|-------|-------|---------|-------|-------|-----------------|-------------------|-------------------|
| | | BREAK | RUN | END | 50 bar | | | 80 bar | | | 100 bar | | | 120 bar | | | 150 bar | | | | | |
| | | Nm | Nm | Nm | BREAK | RUN | END | BREAK | RUN | END | BREAK | RUN | END | BREAK | RUN | END | BREAK | RUN | END | | | |
| RSOM 2500/90/.. | 302 | 5240 | 2400 | 3300 | | | | 3890 | 1590 | 1950 | 5690 | 2670 | 3750 | 7490 | 3740 | 5550 | 10180 | 5340 | 8240 | 220 | 1,7 | 520 |
| | 303 | 6410 | 2940 | 4030 | | | | 3160 | 790 | 780 | 4960 | 2070 | 2580 | 6760 | 3150 | 4380 | 9450 | 4740 | 7070 | 220 | 1,7 | 560 |
| | 304 | 7990 | 3660 | 5020 | | | | | | | 3970 | 1000 | 1000 | 5770 | 2310 | 2800 | 8460 | 3940 | 5490 | 220 | 1,7 | 640 |
| | 313 | 10070 | 4620 | 6330 | | | | | | | | | | 4460 | 720 | 720 | 7150 | 2840 | 3410 | 220 | 1,7 | 660 |
| | 305 | 11480 | 5260 | 7220 | | | | | | | | | | | | | 6260 | 1940 | 2000 | 220 | 1,7 | 720 |
| | 324 | 13230 | 6060 | 8320 | | | | | | | | | | | | | 5160 | 260 | 250 | 220 | 1,7 | 780 |
| RSOM 2500/100/.. | 302 | 5240 | 2400 | 3300 | 2440 | 500 | 500 | 5880 | 2780 | 3940 | 8170 | 4140 | 6230 | 10470 | 5500 | 8530 | 13910 | 7540 | 11970 | 220 | 2,0 | 520 |
| | 303 | 6410 | 2940 | 4030 | | | | 5150 | 2190 | 2770 | 7440 | 3550 | 5060 | 9740 | 4910 | 7360 | 13180 | 6950 | 10800 | 220 | 2,0 | 570 |
| | 304 | 7990 | 3660 | 5020 | | | | 4160 | 1180 | 1190 | 6450 | 2740 | 3480 | 8750 | 4110 | 5780 | 12190 | 6150 | 9220 | 220 | 2,0 | 640 |
| | 313 | 10070 | 4620 | 6330 | | | | | | | 5140 | 1410 | 1400 | 7440 | 3020 | 3700 | 10880 | 5100 | 7140 | 220 | 2,0 | 670 |
| | 305 | 11480 | 5260 | 7220 | | | | | | | | | | 6550 | 2150 | 2290 | 9990 | 4380 | 5730 | 220 | 2,0 | 730 |
| | 324 | 13230 | 6060 | 8320 | | | | | | | | | | 5450 | 540 | 540 | 8890 | 3400 | 3980 | 220 | 2,0 | 790 |
| 315 | 15140 | 6940 | 9520 | | | | | | | | | | | | | 7690 | 2070 | 2070 | 220 | 2,0 | 830 | |
| RSOM 2500/110/.. | 303 | 6410 | 2940 | 4030 | 3080 | 700 | 700 | 7350 | 3490 | 4970 | 10190 | 5180 | 7810 | 13030 | 6870 | 10650 | 17300 | 9400 | 14920 | 205 | 2,5 | 590 |
| | 304 | 7990 | 3660 | 5020 | | | | 6360 | 2680 | 3390 | 9200 | 4380 | 6230 | 12040 | 6060 | 9070 | 16310 | 8590 | 13340 | 210 | 2,5 | 660 |
| | 313 | 10070 | 4620 | 6330 | | | | 5050 | 1310 | 1310 | 7890 | 3310 | 4150 | 10730 | 5010 | 6990 | 15000 | 7540 | 11260 | 220 | 2,5 | 690 |
| | 305 | 11480 | 5260 | 7220 | | | | | | | 7000 | 2470 | 2740 | 9840 | 4290 | 5580 | 14110 | 6820 | 9850 | 220 | 2,5 | 740 |
| | 324 | 13230 | 6060 | 8320 | | | | | | | 5900 | 990 | 990 | 8740 | 3300 | 3830 | 13010 | 5930 | 8100 | 220 | 2,5 | 800 |
| | 315 | 15140 | 6940 | 9520 | | | | | | | | | | 7540 | 1920 | 1920 | 11810 | 4940 | 6190 | 220 | 2,5 | 850 |
| RSOM 2500/125/.. | 303 | 6410 | 2940 | 4030 | 5380 | 2330 | 3000 | 11030 | 5680 | 8650 | 14800 | 7910 | 12420 | 18560 | 10150 | 16180 | 24210 | 13490 | 21830 | 155 | 3,2 | 590 |
| | 304 | 7990 | 3660 | 5020 | 4390 | 1370 | 1420 | 10040 | 4880 | 7070 | 13810 | 7110 | 10840 | 17570 | 9340 | 14600 | 23220 | 12690 | 20250 | 160 | 3,2 | 670 |
| | 313 | 10070 | 4620 | 6330 | | | | 8730 | 3820 | 4990 | 12500 | 6060 | 8760 | 16260 | 8290 | 12520 | 21910 | 11640 | 18170 | 165 | 3,2 | 690 |
| | 305 | 11480 | 5260 | 7220 | | | | 7840 | 3030 | 3580 | 11610 | 5340 | 7350 | 15370 | 7570 | 11110 | 21020 | 10920 | 16760 | 170 | 3,2 | 750 |
| | 324 | 13230 | 6060 | 8320 | | | | 6740 | 1830 | 1830 | 10510 | 4440 | 5600 | 14270 | 6680 | 9360 | 19920 | 10030 | 15010 | 175 | 3,2 | 810 |
| | 315 | 15140 | 6940 | 9520 | | | | | | | 9310 | 3300 | 3690 | 13070 | 5710 | 7450 | 18720 | 9060 | 13100 | 185 | 3,2 | 860 |
| RSOM 2500/140/.. | 304 | 7990 | 3660 | 5020 | 6990 | 3070 | 4020 | 14200 | 7340 | 11230 | 19000 | 10190 | 16030 | 23810 | 13040 | 20840 | | | | 125 | 4,0 | 700 |
| | 313 | 10070 | 4620 | 6330 | 5680 | 1840 | 1940 | 12890 | 6290 | 9150 | 17690 | 9140 | 13950 | 22500 | 11980 | 18760 | | | | 130 | 4,0 | 730 |
| | 305 | 11480 | 5260 | 7220 | 4790 | 530 | 530 | 12000 | 5570 | 7740 | 16800 | 8420 | 12540 | 21610 | 11270 | 17350 | | | | 135 | 4,0 | 780 |
| | 324 | 13230 | 6060 | 8320 | | | | 10900 | 4680 | 5990 | 15700 | 7530 | 10790 | 20510 | 10380 | 15600 | | | | 140 | 4,0 | 840 |
| | 315 | 15140 | 6940 | 9520 | | | | 9700 | 3570 | 4080 | 14500 | 6560 | 8880 | 19310 | 9410 | 13690 | | | | 145 | 4,0 | 890 |
| | 325 | 16720 | 7670 | 10520 | | | | 8700 | 2480 | 2500 | 13500 | 5750 | 7300 | 18310 | 8610 | 12110 | 25520 | 12880 | 19320 | 150 | 4,0 | 950 |
| RSOM 2500/160/.. | 305 | 11480 | 5260 | 7220 | 8710 | 3590 | 4450 | 18280 | 9290 | 14020 | 24650 | 13070 | 20390 | | | | | | | 100 | 5,2 | 810 |
| | 324 | 13230 | 6060 | 8320 | 7610 | 2530 | 2700 | 17180 | 8400 | 12270 | 23550 | 12180 | 18640 | | | | | | | 105 | 5,2 | 870 |
| | 315 | 15140 | 6940 | 9520 | 6410 | 790 | 790 | 15980 | 7430 | 10360 | 22350 | 11210 | 16730 | | | | | | | 110 | 5,2 | 920 |
| | 325 | 16720 | 7670 | 10520 | | | | 14980 | 6630 | 8780 | 21350 | 10410 | 15150 | | | | | | | 110 | 5,2 | 980 |
| RSOM 2500/180/.. | 324 | 13230 | 6060 | 8320 | 12060 | 5370 | 7150 | 24290 | 12620 | 19380 | | | | | | | | | | 80 | 6,6 | 900 |
| | 315 | 15140 | 6940 | 9520 | 10860 | 4330 | 5240 | 23090 | 11650 | 17470 | | | | | | | | | | 85 | 6,6 | 940 |
| | 325 | 16720 | 7670 | 10520 | 9860 | 3360 | 3660 | 22090 | 10850 | 15890 | | | | | | | | | | 85 | 6,6 | 1000 |
| RSOM 2500/200/.. | 325 | 16720 | 7670 | 10520 | 14830 | 6540 | 8630 | | | | | | | | | | | | | 70 | 8,2 | 1050 |

HYDRAULIC QUARTER TURN ACTUATOR SCOTCH-YOKE EXECUTION

SINGLE ACTING

SERIES RJOM - RSOM

ACTUATORS TORQUE

SYMMETRIC

SPRING TO CLOSE or **SPRING TO OPEN**

| ACTUATOR TYPE | SPRING | SPRING | | | OIL MIN PRESSURE | | | | | | | | | | | | | | | PRESS. MAX. | OIL DIS- PLACED | APPROX. WEIGHT |
|------------------|--------|--|-------|-------|------------------|-------|-------|--------|-------|-------|---------|-------|-------|---------|-------|-------|---------|-------|-------|-------------|-----------------|----------------|
| | | BREAK | RUN | END | 50 bar | | | 80 bar | | | 100 bar | | | 120 bar | | | 150 bar | | | | | |
| | | Nm | Nm | Nm | BREAK | RUN | END | BREAK | RUN | END | BREAK | RUN | END | BREAK | RUN | END | BREAK | RUN | END | | | |
| RSOM 4500/100/.. | 403 | 8380 | 3860 | 5340 | | | | 6150 | 2520 | 3110 | 9020 | 4250 | 5980 | 11890 | 5950 | 8850 | 16200 | 8510 | 13160 | 220 | 2,6 | 790 |
| | 404 | 10440 | 4820 | 6650 | | | | 4840 | 1050 | 1050 | 7710 | 3170 | 3920 | 10580 | 4900 | 6790 | 14890 | 7450 | 11100 | 220 | 2,6 | 910 |
| | 413 | 13160 | 6070 | 8390 | | | | | | | 5970 | 1190 | 1200 | 8840 | 3430 | 4070 | 13150 | 6070 | 8380 | 220 | 2,6 | 930 |
| | 405 | 15010 | 6930 | 9560 | | | | | | | | | | 7670 | 2200 | 2220 | 11980 | 5120 | 6530 | 220 | 2,6 | 1010 |
| | 424 | 17300 | 7980 | 11020 | | | | | | | | | | | | | | | | 220 | 2,6 | 1010 |
| RSOM 4500/110/.. | 403 | 8380 | 3860 | 5340 | 3640 | 600 | 600 | 9020 | 4250 | 5980 | 12610 | 6380 | 9570 | 16200 | 8510 | 13160 | 21590 | 11700 | 18550 | 220 | 3,2 | 810 |
| | 404 | 10440 | 4820 | 6650 | | | | 7710 | 3170 | 3920 | 11300 | 5330 | 7510 | 14890 | 7450 | 11100 | 20280 | 10650 | 16490 | 220 | 3,2 | 920 |
| | 413 | 13160 | 6070 | 8390 | | | | 5970 | 1190 | 1200 | 9560 | 3890 | 4790 | 13150 | 6070 | 8380 | 18540 | 9260 | 13770 | 220 | 3,2 | 950 |
| | 405 | 15010 | 6930 | 9560 | | | | | | | 8390 | 2760 | 2940 | 11980 | 5120 | 6530 | 17370 | 8320 | 11920 | 220 | 3,2 | 1020 |
| | 424 | 17300 | 7980 | 11020 | | | | | | | 6930 | 650 | 650 | 10520 | 3770 | 4240 | 15910 | 7160 | 9630 | 220 | 3,2 | 1020 |
| RSOM 4500/125/.. | 403 | 8380 | 3860 | 5340 | 6650 | 2840 | 3610 | 13840 | 7110 | 10800 | 18640 | 9950 | 15600 | 23430 | 12790 | 20390 | 30630 | 17060 | 27590 | 210 | 4,1 | 820 |
| | 404 | 10440 | 4820 | 6650 | 5340 | 1530 | 1550 | 12530 | 6060 | 8740 | 17330 | 8900 | 13540 | 22120 | 11740 | 18330 | 29320 | 16010 | 25530 | 215 | 4,1 | 940 |
| | 413 | 13160 | 6070 | 8390 | | | | 10790 | 4670 | 6020 | 15590 | 7510 | 10820 | 20380 | 10360 | 15610 | 27580 | 14620 | 22810 | 220 | 4,1 | 960 |
| | 405 | 15010 | 6930 | 9560 | | | | 9620 | 3600 | 4170 | 14420 | 6570 | 8970 | 19210 | 9410 | 13760 | 26410 | 13680 | 20960 | 220 | 4,1 | 1040 |
| | 424 | 17300 | 7980 | 11020 | | | | 8160 | 1880 | 1880 | 12960 | 5370 | 6680 | 17750 | 8250 | 11470 | 24950 | 12520 | 18670 | 220 | 4,1 | 1140 |
| RSOM 4500/140/.. | 413 | 13160 | 6070 | 8390 | 7000 | 2150 | 2230 | 16230 | 7890 | 11460 | 22380 | 11540 | 17610 | 28540 | 15190 | 23770 | 37770 | 20660 | 33000 | 175 | 5,2 | 980 |
| | 405 | 15010 | 6930 | 9560 | 5830 | 370 | 380 | 15060 | 6950 | 9610 | 21210 | 10600 | 15760 | 27370 | 14250 | 21920 | 36600 | 19720 | 31150 | 175 | 5,2 | 1060 |
| | 424 | 17300 | 7980 | 11020 | | | | 13600 | 5770 | 7320 | 19750 | 9440 | 13470 | 25910 | 13090 | 19630 | 35140 | 18560 | 28860 | 180 | 5,2 | 1160 |
| | 415 | 19800 | 9140 | 12610 | | | | 12010 | 4300 | 4820 | 18160 | 8160 | 10970 | 24320 | 11810 | 17130 | 33550 | 17290 | 26360 | 185 | 5,2 | 1220 |
| | 425 | 21870 | 10090 | 13930 | | | | 10690 | 2750 | 2750 | 16840 | 7080 | 8900 | 23000 | 10760 | 15060 | 32230 | 16230 | 24290 | 190 | 5,2 | 1260 |
| RSOM 4500/160/.. | 404 | 15010 | 6930 | 9560 | 10960 | 4470 | 5510 | 23270 | 11820 | 17820 | 31470 | 16680 | 26020 | 39680 | 21550 | 34230 | | | | 135 | 6,7 | 1090 |
| | 425 | 17300 | 7980 | 11020 | 9500 | 3050 | 3220 | 21810 | 10650 | 15530 | 30010 | 15520 | 23730 | 38220 | 20380 | 31940 | | | | 135 | 6,7 | 1190 |
| | 415 | 19800 | 9140 | 12610 | 7910 | 720 | 720 | 20220 | 9380 | 13030 | 28420 | 14250 | 21230 | 36630 | 19110 | 29440 | | | | 140 | 6,7 | 1250 |
| | 424 | 21870 | 10090 | 13930 | 18900 | 8330 | 10960 | 18900 | 8330 | 10960 | 27100 | 13190 | 19160 | 35310 | 18060 | 27370 | | | | 145 | 6,7 | 1290 |
| | 425 | 21870 | 10090 | 13930 | 15310 | 6800 | 9030 | 31110 | 16170 | 24830 | 41640 | 22410 | 35360 | | | | | | | 105 | 8,5 | 1230 |
| RSOM 4500/180/.. | 415 | 19800 | 9140 | 12610 | 13720 | 5430 | 6530 | 29520 | 14890 | 22330 | 40050 | 21140 | 32860 | | | | | | | 110 | 8,5 | 1290 |
| | 425 | 21870 | 10090 | 13930 | 12400 | 4150 | 4460 | 28200 | 13840 | 20260 | 38730 | 20090 | 30790 | | | | | | | 110 | 8,5 | 1330 |
| | 424 | 17300 | 7980 | 11020 | 15310 | 6800 | 9030 | 31110 | 16170 | 24830 | 41640 | 22410 | 35360 | | | | | | | 105 | 8,5 | 1230 |
| | 415 | 19800 | 9140 | 12610 | 13720 | 5430 | 6530 | 29520 | 14890 | 22330 | 40050 | 21140 | 32860 | | | | | | | 110 | 8,5 | 1290 |
| | 425 | 21870 | 10090 | 13930 | 12400 | 4150 | 4460 | 28200 | 13840 | 20260 | 38730 | 20090 | 30790 | | | | | | | 110 | 8,5 | 1330 |
| RSOM 4500/200/.. | 415 | 19800 | 9140 | 12610 | 20220 | 9380 | 13030 | 39910 | 21060 | 32720 | | | | | | | | | | 90 | 11 | 1340 |
| 425 | 21870 | 10090 | 13930 | 18900 | 8330 | 10960 | 38590 | 20000 | 30650 | | | | | | | | | | | 90 | 11 | 1380 |
| RSOM 4500/.../ | 40X | HIGHER TORQUES ON REQUEST ACCORDING TO CUSTOMER SPECIFICATION | | | | | | | | | | | | | | | | | | | | |
| RSOM 7500/110/.. | 404 | 13820 | 5810 | 7310 | | | | 10070 | 3320 | 3560 | 14410 | 6180 | 7900 | 18760 | 8760 | 12250 | 25270 | 12620 | 18760 | 220 | 4,3 | 1240 |
| | 413 | 17420 | 7320 | 9220 | | | | | | | 12500 | 4060 | 4300 | 16850 | 6960 | 8650 | 23360 | 10680 | 15160 | 220 | 4,3 | 1260 |
| | 405 | 19870 | 8350 | 10510 | | | | | | | 11210 | 1850 | 1850 | 15560 | 5540 | 6200 | 22070 | 9690 | 12710 | 220 | 4,3 | 1350 |
| | 424 | 22900 | 9620 | 12110 | | | | | | | | | | 13960 | 3170 | 3170 | 20470 | 8080 | 9680 | 220 | 4,3 | 1450 |
| | 415 | 26210 | 11020 | 13870 | | | | | | | | | | | | | 18710 | 6040 | 6370 | 220 | 4,3 | 1520 |
| RSOM 7500/125/.. | 404 | 13820 | 5810 | 7310 | 7540 | 1020 | 1030 | 16450 | 7390 | 9940 | 22390 | 10910 | 15880 | 28330 | 14430 | 21820 | 37240 | 19720 | 30730 | 220 | 5,5 | 1250 |
| | 413 | 17420 | 7320 | 9220 | | | | 14540 | 5460 | 6340 | 20480 | 9170 | 12280 | 26420 | 12690 | 18220 | 35330 | 17970 | 27130 | 220 | 5,5 | 1280 |
| | 405 | 19870 | 8350 | 10510 | | | | 13250 | 3850 | 3890 | 19190 | 7920 | 9830 | 25130 | 11510 | 15770 | 34040 | 16790 | 24680 | 220 | 5,5 | 1360 |
| | 424 | 22900 | 9620 | 12110 | | | | 11650 | 870 | 860 | 17590 | 6160 | 6800 | 23530 | 10030 | 12740 | 32440 | 15320 | 21650 | 220 | 5,5 | 1460 |
| | 415 | 26210 | 11020 | 13870 | | | | | | | 15830 | 3490 | 3490 | 21770 | 8150 | 9430 | 30680 | 13720 | 18340 | 220 | 5,5 | 1530 |
| RSOM 7500/140/.. | 413 | 17420 | 7320 | 9220 | 10130 | 1920 | 1930 | 21740 | 9910 | 13540 | 29470 | 14500 | 21270 | 37210 | 19090 | 29010 | 48820 | 25970 | 40620 | 220 | 6,9 | 1310 |
| | 405 | 19870 | 8350 | 10510 | | | | 20450 | 8720 | 11090 | 28180 | 13320 | 18820 | 35920 | 17900 | 26560 | 47530 | 24790 | 38170 | 220 | 6,9 | 1400 |
| | 424 | 22900 | 9620 | 12110 | | | | 18850 | 7000 | 8060 | 26580 | 11850 | 15790 | 34320 | 16440 | 23530 | 45930 | 23320 | 35140 | 220 | 6,9 | 1500 |
| | 415 | 26210 | 11020 | 13870 | | | | 17090 | 4740 | 4750 | 24820 | 10140 | 12480 | 32560 | 14840 | 20220 | 44170 | 21720 | 31830 | 220 | 6,9 | 1570 |
| | 425 | 28940 | 12170 | 15310 | | | | 15650 | 2010 | 2020 | 23380 | 8560 | 9750 | 31120 | 13510 | 17490 | 42730 | 20390 | 29100 | 220 | 6,9 | 1650 |
| RSOM 7500/160/.. | 424 | 22900 | 9620 | 12110 | 14030 | 3240 | 3240 | 29710 | 13700 | 18920 | 40160 | 19900 | 29370 | 50620 | 26100 | 39830 | 66300 | 35400 | 55510 | 165 | 9,1 | 1540 |
| | 415 | 26210 | 11020 | 13870 | | | | 27950 | 12100 | 15610 | 38400 | 18300 | 26060 | 48860 | 24500 | 36520 | 64540 | 33790 | 52200 | 170 | 9,1 | 1610 |
| | 425 | 28940 | 12170 | 15310 | | | | 26510 | 10610 | 12880 | 36960 | 16970 | 23330 | 47420 | 23170 | 33790 | 63100 | 32470 | 49470 | 175 | 9,1 | 1690 |
| | 415 | 26210 | 11020 | 13870 | 19960 | 6940 | 7620 | 40260 | 19400 | 27920 | 53790 | 27420 | 41450 | 67320 | 35440 | 54980 | | | | 130 | 11 | 1640 |
| | 425 | 28940 | 12170 | 15310 | 18520 | 4890 | 4890 | 38820 | 18070 | 25190 | 52350 | 26100 | 38720 | 65880 | 34120 | 52250 | | | | 135 | 11 | 1720 |
| RSOM 7500/200/.. | 415 | 26210 | 11020 | 13870 | 28560 | 12460 | 16220 | 54010 | 27550 | 41670 | 70990 | 37620 | 58650 | | | | | | | 105 | 14 | 1700 |
| | 425 | 28940 | 12170 | 15310 | 27120 | 11000 | 13490 | 52570 | 26230 | 38940 | 69550 | 36290 | 55920 | | | | | | | 105 | 14 | 1780 |
| RSOM 7500/220/.. | 415 | 26210 | 11020 | 13870 | 38060 | 18100 | 25720 | 69220 | 36570 | 56880 | | | | | | | | | | 85 | 17 | 1780 |
| | 425 | 28940 | 12170 | 15310 | 36620 | 16770 | 2 | | | | | | | | | | | | | | | |

HYDRAULIC QUARTER TURN ACTUATOR SCOTCH-YOKE EXECUTION

SINGLE ACTING ACTUATORS TORQUE

SERIES RWOM - RCOM

CANTED

SPRING TO CLOSE

| ACTUATOR TYPE | SPRING | SPRING TO CLOSE | | | OIL TO OPEN | | | | | | | | | | | | | | | PRESS. MAX. bar | OIL DIS-PLACED lt | APPROX. WEIGHT kg |
|------------------|--------|-----------------|------|-------|-------------|------|------|--------|------|------|---------|------|------|---------|------|------|---------|------|------|-----------------|-------------------|-------------------|
| | | BREAK | RUN | END | 50 bar | | | 80 bar | | | 100 bar | | | 120 bar | | | 150 bar | | | | | |
| | | Nm | Nm | Nm | BREAK | RUN | END | BREAK | RUN | END | BREAK | RUN | END | BREAK | RUN | END | BREAK | RUN | END | | | |
| RWOM 900/60/.. | 209 | 1430 | 820 | 1380 | | | | 1800 | 520 | 570 | 2600 | 910 | 1070 | 3400 | 1280 | 1570 | 4590 | 1840 | 2320 | 220 | 0,6 | 180 |
| | 201 | 1970 | 1130 | 1900 | | | | 1280 | 30 | 30 | 2080 | 520 | 530 | 2880 | 920 | 1030 | 4070 | 1490 | 1780 | 220 | 0,6 | 200 |
| | 202 | 2820 | 1620 | 2720 | | | | | | | | | | 2060 | 180 | 180 | 3250 | 880 | 930 | 220 | 0,6 | 230 |
| | 203 | 3450 | 1980 | 3330 | | | | | | | | | | | | | 2640 | 300 | 300 | 220 | 0,6 | 270 |
| RWOM 900/80/.. | 209 | 1430 | 820 | 1380 | 2160 | 700 | 790 | 4280 | 1700 | 2120 | 5700 | 2360 | 3010 | 7110 | 3020 | 3900 | | | | 145 | 1,0 | 190 |
| | 201 | 1970 | 1130 | 1900 | 1640 | 250 | 250 | 3760 | 1340 | 1580 | 5180 | 2010 | 2470 | 6590 | 2670 | 3360 | 8720 | 3660 | 4690 | 155 | 1,0 | 210 |
| | 202 | 2820 | 1620 | 2720 | | | | 2940 | 720 | 730 | 4360 | 1430 | 1620 | 5770 | 2100 | 2510 | 7900 | 3100 | 3840 | 165 | 1,0 | 230 |
| | 203 | 3450 | 1980 | 3330 | | | | 2330 | 110 | 100 | 3750 | 960 | 990 | 5160 | 1670 | 1880 | 7290 | 2680 | 3210 | 175 | 1,0 | 280 |
| RWOM 900/90/.. | 209 | 1430 | 820 | 1380 | 3100 | 1140 | 1380 | 5790 | 2400 | 3070 | 7580 | 3240 | 4190 | | | | | | | 115 | 1,3 | 200 |
| | 201 | 1970 | 1130 | 1900 | 2580 | 770 | 840 | 5270 | 2050 | 2530 | 7060 | 2890 | 3650 | 8850 | 3720 | 4780 | | | | 120 | 1,3 | 210 |
| | 202 | 2820 | 1620 | 2720 | | | | 4450 | 1470 | 1680 | 6240 | 2320 | 2800 | 8030 | 3160 | 3930 | | | | 130 | 1,3 | 240 |
| | 203 | 3450 | 1980 | 3330 | | | | 3840 | 1010 | 1050 | 5630 | 1890 | 2170 | 7420 | 2740 | 3300 | | | | 140 | 1,3 | 290 |
| | 204 | 4300 | 2470 | 4150 | | | | 3020 | 200 | 200 | 4810 | 1270 | 1320 | 6600 | 2160 | 2450 | | | | 145 | 1,3 | 310 |
| RWOM 900/100/.. | 202 | 2820 | 1620 | 2720 | 2810 | 650 | 650 | 6130 | 2270 | 2730 | 8340 | 3300 | 4120 | | | | | | | 105 | 1,6 | 250 |
| | 203 | 3450 | 1980 | 3330 | 2200 | 20 | 20 | 5520 | 1840 | 2100 | 7730 | 2890 | 3490 | | | | | | | 110 | 1,6 | 300 |
| | 204 | 4300 | 2470 | 4150 | | | | 4700 | 1210 | 1250 | 6910 | 2310 | 2640 | 9120 | 3360 | 4030 | | | | 120 | 1,6 | 320 |
| RWOM 900/110/.. | 202 | 2820 | 1620 | 2720 | 3970 | 1240 | 1380 | 7980 | 3140 | 3900 | | | | | | | | | | 90 | 1,9 | 270 |
| | 203 | 3450 | 1980 | 3330 | 3360 | 750 | 750 | 7370 | 2720 | 3270 | | | | | | | | | | 90 | 1,9 | 310 |
| | 204 | 4300 | 2470 | 4150 | | | | 6550 | 2140 | 2420 | 9230 | 3410 | 4100 | | | | | | | 100 | 1,9 | 340 |
| RWOM 900/125/.. | 202 | 2820 | 1620 | 2720 | 5920 | 2170 | 2600 | | | | | | | | | | | | | 70 | 2,4 | 270 |
| | 203 | 3450 | 1980 | 3330 | 5310 | 1740 | 1970 | | | | | | | | | | | | | 70 | 2,4 | 320 |
| | 204 | 4300 | 2470 | 4150 | 4490 | 1100 | 1120 | | | | | | | | | | | | | 75 | 2,4 | 340 |
| RWOM 1400/80/.. | 301 | 2320 | 1420 | 2560 | 1660 | 330 | 330 | 4190 | 1580 | 1920 | 5880 | 2370 | 2980 | 7570 | 3160 | 4040 | 10100 | 4340 | 5630 | 195 | 1,3 | 320 |
| | 302 | 3320 | 2040 | 3670 | | | | 3080 | 860 | 920 | 4770 | 1680 | 1980 | 6460 | 2480 | 3040 | 8990 | 3660 | 4630 | 210 | 1,3 | 350 |
| | 303 | 4060 | 2490 | 4490 | | | | 2260 | 180 | 180 | 3950 | 1150 | 1240 | 5640 | 1970 | 2300 | 8170 | 3160 | 3890 | 220 | 1,3 | 390 |
| | 304 | 5060 | 3110 | 5600 | | | | | | | 2840 | 240 | 240 | 4530 | 1240 | 1300 | 7060 | 2470 | 2890 | 220 | 1,3 | 470 |
| RWOM 1400/90/.. | 301 | 2320 | 1420 | 2560 | 2780 | 2440 | 1030 | 5990 | 3900 | 3040 | 8120 | 4880 | 4390 | 10260 | 5860 | 5730 | 13470 | 7320 | 7740 | 155 | 1,6 | 330 |
| | 302 | 3320 | 2040 | 3670 | 1670 | 30 | 30 | 4880 | 1730 | 2040 | 7010 | 2740 | 3390 | 9150 | 3740 | 4730 | 12360 | 5240 | 6740 | 165 | 1,6 | 350 |
| | 303 | 4060 | 2490 | 4490 | | | | 4060 | 1200 | 1300 | 6190 | 2230 | 2650 | 8330 | 3230 | 3990 | 11540 | 4730 | 6000 | 175 | 1,6 | 400 |
| | 304 | 5060 | 3110 | 5600 | | | | 2950 | 310 | 300 | 5080 | 1520 | 1650 | 7220 | 2550 | 2990 | 10430 | 4050 | 5000 | 185 | 1,6 | 470 |
| | 313 | 6370 | 3920 | 7050 | | | | | | | 3630 | 330 | 340 | 5770 | 1590 | 1680 | 8980 | 3140 | 3690 | 195 | 1,6 | 490 |
| | 305 | 7270 | 4470 | 8040 | | | | | | | 4780 | 780 | 780 | 7990 | 2510 | 2790 | | | | 205 | 1,6 | 550 |
| RWOM 1400/100/.. | 302 | 3320 | 2040 | 3670 | 2920 | 780 | 820 | 6880 | 2670 | 3300 | 9520 | 3910 | 4960 | 12160 | 5140 | 6610 | | | | 135 | 2,0 | 360 |
| | 303 | 4060 | 2490 | 4490 | 2100 | 80 | 80 | 6060 | 2170 | 2560 | 8700 | 3410 | 4220 | 11340 | 4640 | 5870 | | | | 140 | 2,0 | 410 |
| | 304 | 5060 | 3110 | 5600 | | | | 4950 | 1450 | 1560 | 7590 | 2720 | 3220 | 10230 | 3960 | 4870 | 14180 | 5810 | 7360 | 150 | 2,0 | 480 |
| | 313 | 6370 | 3920 | 7050 | | | | 3500 | 250 | 250 | 6140 | 1770 | 1910 | 8780 | 3050 | 3560 | 12730 | 4910 | 6050 | 160 | 2,0 | 500 |
| | 305 | 7270 | 4470 | 8040 | | | | | | | 5150 | 1010 | 1010 | 7790 | 2410 | 2660 | 11740 | 4300 | 5150 | 165 | 2,0 | 560 |
| RWOM 1400/110/.. | 302 | 3320 | 2040 | 3670 | 4310 | 1460 | 1690 | 9100 | 3710 | 4690 | 12290 | 5210 | 6700 | | | | | | | 110 | 2,4 | 370 |
| | 303 | 4060 | 2490 | 4490 | 3490 | 920 | 950 | 8280 | 3210 | 3950 | 11470 | 4700 | 5960 | | | | | | | 115 | 2,4 | 420 |
| | 304 | 5060 | 3110 | 5600 | | | | 7170 | 2520 | 2950 | 10360 | 4020 | 4960 | 13550 | 5510 | 6960 | | | | 125 | 2,4 | 490 |
| | 313 | 6370 | 3920 | 7050 | | | | 5720 | 1560 | 1640 | 8910 | 3110 | 3650 | 12100 | 4620 | 5650 | | | | 130 | 2,4 | 510 |
| | 305 | 7270 | 4470 | 8040 | | | | 4730 | 740 | 740 | 7920 | 2470 | 2750 | 11110 | 4000 | 4750 | | | | 140 | 2,4 | 570 |
| | 324 | 8380 | 5150 | 9270 | | | | | | | 6690 | 1620 | 1640 | 9880 | 3220 | 3640 | | | | 145 | 2,4 | 640 |
| RWOM 1400/125/.. | 303 | 4060 | 2490 | 4490 | 5810 | 2050 | 2410 | 12000 | 4950 | 6290 | | | | | | | | | | 90 | 3,1 | 430 |
| | 304 | 5060 | 3110 | 5600 | 4700 | 1330 | 1410 | 10890 | 4270 | 5290 | | | | | | | | | | 95 | 3,1 | 500 |
| | 313 | 6370 | 3920 | 7050 | 3250 | 90 | 100 | 9440 | 3370 | 3980 | 13560 | 5300 | 6560 | | | | | | | 100 | 3,1 | 520 |
| | 305 | 7270 | 4470 | 8040 | | | | 8450 | 2730 | 3080 | 12570 | 4690 | 5660 | | | | | | | 105 | 3,1 | 580 |
| | 324 | 8380 | 5150 | 9270 | | | | 7220 | 1900 | 1970 | 11340 | 3920 | 4550 | | | | | | | 115 | 3,1 | 650 |
| | 315 | 9590 | 5890 | 10610 | | | | 5880 | 760 | 760 | 10000 | 3050 | 3340 | 14120 | 5030 | 5930 | | | | 120 | 3,1 | 700 |
| RWOM 1400/140/.. | 304 | 5060 | 3110 | 5600 | 7330 | 2600 | 3050 | | | | | | | | | | | | | 75 | 3,8 | 520 |
| | 313 | 6370 | 3920 | 7050 | 5880 | 1640 | 1740 | 13630 | 5330 | 6610 | | | | | | | | | | 80 | 3,8 | 540 |
| | 305 | 7270 | 4470 | 8040 | 4890 | 840 | 840 | 12640 | 4720 | 5710 | | | | | | | | | | 85 | 3,8 | 600 |
| | 324 | 8380 | 5150 | 9270 | | | | 11410 | 3950 | 4600 | | | | | | | | | | 90 | 3,8 | 670 |
| | 315 | 9590 | 5890 | 10610 | | | | 10070 | 3090 | 3390 | | | | | | | | | | 95 | 3,8 | 720 |

HYDRAULIC QUARTER TURN ACTUATOR SCOTCH-YOKE EXECUTION

**SINGLE ACTING
ACTUATORS TORQUE**

SERIES RWOM - RCOM

CANTED

SPRING TO CLOSE

| ACTUATOR TYPE | SPRING | SPRING TO CLOSE | | | OIL TO OPEN | | | | | | | | | | | | | | | PRESS. MAX. bar | OIL DIS. PLACED lt | APPROX. WEIGHT kg |
|------------------|--------|-----------------|------|-------|-------------|------|------|--------|------|-------|---------|-------|-------|---------|-------|-------|---------|------|-------|-----------------|--------------------|-------------------|
| | | BREAK | RUN | END | 50 bar | | | 80 bar | | | 100 bar | | | 120 bar | | | 150 bar | | | | | |
| | | Nm | Nm | Nm | BREAK | RUN | END | BREAK | RUN | END | BREAK | RUN | END | BREAK | RUN | END | BREAK | RUN | END | | | |
| RCOM 2500/90/.. | 302 | 4310 | 2520 | 4320 | | | | 5110 | 1490 | 1610 | 7470 | 2630 | 3090 | 9830 | 3740 | 4570 | 13360 | 5390 | 6790 | 220 | 2,1 | 510 |
| | 303 | 5270 | 3080 | 5280 | | | | 4150 | 650 | 650 | 6510 | 1950 | 2130 | 8870 | 3090 | 3610 | 12400 | 4750 | 5830 | 220 | 2,1 | 550 |
| | 304 | 6570 | 3840 | 6590 | | | | | | | 5200 | 820 | 830 | 7560 | 2160 | 2310 | 11090 | 3870 | 4530 | 220 | 2,1 | 640 |
| | 313 | 8290 | 4840 | 8300 | | | | | | | | | | 5850 | 590 | 590 | 9380 | 2640 | 2810 | 220 | 2,1 | 650 |
| | 305 | 9450 | 5520 | 9470 | | | | | | | | | | | | | 8210 | 1650 | 1650 | 220 | 2,1 | 710 |
| | 324 | 10890 | 6360 | 10910 | | | | | | | | | | | | | 6770 | 210 | 210 | 220 | 2,1 | 780 |
| RCOM 2500/100/.. | 303 | 5270 | 3080 | 5280 | | | | 6760 | 2070 | 2290 | 9770 | 3520 | 4170 | 12780 | 4930 | 6060 | 17290 | 7040 | 8900 | 200 | 2,6 | 560 |
| | 304 | 6570 | 3840 | 6590 | | | | 5450 | 980 | 990 | 8460 | 2600 | 2870 | 11470 | 4050 | 4760 | 15980 | 6170 | 7600 | 220 | 2,1 | 640 |
| | 313 | 8290 | 4840 | 8300 | | | | | | | 6750 | 1160 | 1150 | 9760 | 2830 | 3040 | 14270 | 5010 | 5880 | 220 | 2,6 | 660 |
| | 305 | 9450 | 5520 | 9470 | | | | | | | | | | 8590 | 1880 | 1880 | 13100 | 4200 | 4720 | 220 | 2,6 | 710 |
| | 324 | 10890 | 6360 | 10910 | | | | | | | | | | 7150 | 440 | 440 | 11660 | 3140 | 3280 | 220 | 2,6 | 790 |
| | 315 | 12460 | 7280 | 12490 | | | | | | | | | | | | | 10080 | 1700 | 1710 | 220 | 2,6 | 820 |
| RCOM 2500/110/.. | 303 | 5270 | 3080 | 5280 | 4040 | 580 | 580 | 9640 | 3460 | 4090 | 13370 | 5200 | 6430 | 17100 | 6950 | 8770 | 22690 | 9570 | 12290 | 160 | 3,1 | 590 |
| | 304 | 6570 | 3840 | 6590 | | | | 8330 | 2540 | 2790 | 12060 | 4330 | 5130 | 15790 | 6080 | 7470 | 21380 | 8700 | 10990 | 170 | 3,1 | 660 |
| | 313 | 8290 | 4840 | 8300 | | | | 6620 | 1080 | 1070 | 10350 | 3120 | 3410 | 14080 | 4920 | 5750 | 19670 | 7550 | 9270 | 180 | 3,1 | 690 |
| | 305 | 9450 | 5520 | 9470 | | | | | | | 9180 | 2220 | 2250 | 12910 | 4100 | 4590 | 18500 | 6770 | 8110 | 185 | 3,1 | 740 |
| | 324 | 10890 | 6360 | 10910 | | | | | | | 7740 | 810 | 810 | 11470 | 3030 | 3150 | 17060 | 5780 | 6670 | 195 | 3,1 | 800 |
| | 315 | 12460 | 7280 | 12490 | | | | | | | | | | 9890 | 1580 | 1580 | 15480 | 4660 | 5100 | 200 | 3,1 | 850 |
| RCOM 2500/125/.. | 303 | 5270 | 3080 | 5280 | 7070 | 2220 | 2480 | 14470 | 5720 | 7130 | 19410 | 8030 | 10230 | 24350 | 10340 | 13330 | | | | 125 | 4,1 | 590 |
| | 304 | 6570 | 3840 | 6590 | 5760 | 1170 | 1180 | 13160 | 4850 | 5830 | 18100 | 7160 | 8930 | 23040 | 9470 | 12030 | | | | 130 | 4,1 | 670 |
| | 313 | 8290 | 4840 | 8300 | | | | 11450 | 3660 | 4110 | 16390 | 6020 | 7210 | 21330 | 8330 | 10310 | | | | 135 | 4,1 | 690 |
| | 305 | 9450 | 5520 | 9470 | | | | 10280 | 2810 | 2950 | 15220 | 5210 | 6050 | 20160 | 7550 | 9150 | | | | 140 | 4,1 | 750 |
| | 324 | 10890 | 6360 | 10910 | | | | 8840 | 1510 | 1510 | 13780 | 4200 | 4610 | 18720 | 6570 | 7710 | | | | 145 | 4,1 | 810 |
| | 315 | 12460 | 7280 | 12490 | | | | | | | 12200 | 2990 | 3040 | 17140 | 5470 | 6140 | 24550 | 9000 | 10790 | 150 | 4,1 | 860 |
| RCOM 2500/140/.. | 304 | 6570 | 3840 | 6590 | 9160 | 2940 | 3320 | 18620 | 7400 | 9250 | 24920 | 10350 | 13200 | | | | | | | 100 | 5,1 | 700 |
| | 313 | 8290 | 4840 | 8300 | 7450 | 1600 | 1600 | 16910 | 6260 | 7530 | 23210 | 9210 | 11480 | | | | | | | 105 | 5,1 | 730 |
| | 305 | 9450 | 5520 | 9470 | 6280 | 440 | 440 | 15740 | 5460 | 6370 | 22040 | 8430 | 10320 | | | | | | | 110 | 5,1 | 780 |
| | 324 | 10890 | 6360 | 10910 | | | | 14300 | 4450 | 4930 | 20600 | 7470 | 8880 | | | | | | | 115 | 5,1 | 840 |
| | 315 | 12460 | 7280 | 12490 | | | | 12720 | 3260 | 3360 | 19020 | 6370 | 7310 | 25320 | 9360 | 11270 | | | | 120 | 5,1 | 890 |
| | 325 | 13770 | 8040 | 13790 | | | | 11420 | 2050 | 2050 | 17720 | 5450 | 6000 | 24020 | 8480 | 9960 | | | | 125 | 5,1 | 950 |
| RCOM 2500/160/.. | 305 | 9450 | 5520 | 9470 | 11430 | 3380 | 3670 | 23970 | 9330 | 11540 | | | | | | | | | | 80 | 6,6 | 810 |
| | 324 | 10890 | 6360 | 10910 | 9990 | 2230 | 2230 | 22530 | 8370 | 10100 | | | | | | | | | | 85 | 6,6 | 870 |
| | 315 | 12460 | 7280 | 12490 | 8410 | 650 | 660 | 20950 | 7290 | 8530 | | | | | | | | | | 90 | 6,6 | 920 |
| | 325 | 13770 | 8040 | 13790 | | | | 19650 | 6380 | 7220 | | | | | | | | | | 95 | 6,6 | 980 |
| RCOM 2500/180/.. | 324 | 10890 | 6360 | 10910 | 15820 | 5180 | 5880 | | | | | | | | | | | | | 65 | 8,4 | 900 |
| | 315 | 12460 | 7280 | 12490 | 14240 | 4040 | 4310 | | | | | | | | | | | | | 70 | 8,4 | 940 |
| | 325 | 13770 | 8040 | 13790 | 12940 | 2990 | 3000 | | | | | | | | | | | | | 75 | 8,4 | 1000 |

HYDRAULIC QUARTER TURN ACTUATOR SCOTCH-YOKE EXECUTION

SINGLE ACTING

SERIES RWOM - RCOM

ACTUATORS TORQUE

CANTED

SPRING TO CLOSE

| ACTUATOR TYPE | SPRING | SPRING TO CLOSE | | | OIL TO OPEN | | | | | | | | | | | | | | | PRESS. MAX. bar | OIL DIS-PLACED lt | APPROX. WEIGHT kg |
|-----------------------|------------|--|-------|-------|-------------|-------|-------|--------|-------|-------|---------|-------|-------|---------|-------|-------|---------|-------|-------|-----------------|-------------------|-------------------|
| | | BREAK | RUN | END | 50 bar | | | 80 bar | | | 100 bar | | | 120 bar | | | 150 bar | | | | | |
| | | Nm | Nm | Nm | BREAK | RUN | END | BREAK | RUN | END | BREAK | RUN | END | BREAK | RUN | END | BREAK | RUN | END | | | |
| RCOM 4500/100/.. | 403 | 6900 | 4050 | 7000 | | | | 8070 | 2370 | 2560 | 11840 | 4190 | 4920 | 15600 | 5960 | 7290 | 21250 | 8600 | 10830 | 220 | 3,3 | 790 |
| | 404 | 8600 | 5050 | 8730 | | | | 6340 | 860 | 860 | 10110 | 2980 | 3220 | 13870 | 4800 | 5590 | 19520 | 7460 | 9130 | 220 | 3,3 | 910 |
| | 413 | 10840 | 6370 | 11000 | | | | 7840 | 980 | 980 | 7840 | 980 | 980 | 11600 | 3180 | 3350 | 17250 | 5930 | 6890 | 220 | 3,3 | 930 |
| | 405 | 12360 | 7270 | 12540 | | | | | | | 10060 | 1830 | 1830 | 10060 | 1830 | 1830 | 15710 | 4870 | 5370 | 220 | 3,3 | 1010 |
| RCOM 4500/110/.. | 403 | 6900 | 4050 | 7000 | 4770 | 490 | 490 | 11840 | 4190 | 4920 | 16540 | 6400 | 7880 | 21250 | 8600 | 10830 | 28320 | 11910 | 15260 | 220 | 4,0 | 810 |
| | 404 | 8600 | 5050 | 8730 | | | | 10110 | 2980 | 3220 | 14810 | 5250 | 6180 | 19520 | 7460 | 9130 | 26590 | 10770 | 13560 | 220 | 4,0 | 920 |
| | 413 | 10840 | 6370 | 11000 | | | | 7840 | 980 | 980 | 12540 | 3650 | 3940 | 17250 | 5930 | 6890 | 24320 | 9270 | 11320 | 220 | 4,0 | 950 |
| | 405 | 12360 | 7270 | 12540 | | | | 11000 | 2420 | 2420 | 11000 | 2420 | 2420 | 15710 | 4870 | 5370 | 22780 | 8250 | 9800 | 220 | 4,0 | 1020 |
| | 424 | 14240 | 8370 | 14450 | | | | 9090 | 540 | 540 | 13800 | 3420 | 3490 | 13800 | 3420 | 3490 | 20870 | 6930 | 7920 | 220 | 4,0 | 1120 |
| RCOM 4500/125/.. | 403 | 6900 | 4050 | 7000 | 8720 | 2700 | 2970 | 18160 | 7150 | 8890 | 24450 | 10100 | 12840 | 30740 | 13040 | 16780 | 40170 | 17410 | 22710 | 165 | 5,2 | 820 |
| | 404 | 8600 | 5050 | 8730 | 6990 | 1270 | 1270 | 16430 | 6010 | 7190 | 22720 | 8960 | 11140 | 29010 | 11900 | 15080 | 38440 | 16320 | 21010 | 170 | 5,2 | 940 |
| | 413 | 10840 | 6370 | 11000 | | | | 14160 | 4450 | 4950 | 20450 | 7450 | 8900 | 26740 | 10400 | 12840 | 36170 | 14820 | 18770 | 180 | 5,2 | 960 |
| | 405 | 12360 | 7270 | 12540 | | | | 12620 | 3310 | 3430 | 18910 | 6400 | 7380 | 25200 | 9380 | 11320 | 34630 | 13800 | 17250 | 185 | 5,2 | 1040 |
| | 424 | 14240 | 8370 | 14450 | | | | 10710 | 1550 | 1550 | 17000 | 5050 | 5500 | 23290 | 8090 | 9440 | 32720 | 12530 | 15370 | 190 | 5,2 | 1140 |
| | 415 | 16300 | 9580 | 16540 | | | | 14910 | 3420 | 3440 | 14910 | 3420 | 3440 | 21200 | 6650 | 7380 | 30630 | 11150 | 13310 | 195 | 5,2 | 1200 |
| RCOM 4500/140/.. | 413 | 10840 | 6370 | 11000 | 9180 | 1830 | 1830 | 21290 | 7850 | 9420 | 29360 | 11630 | 14490 | 37430 | 15410 | 19560 | | | | 140 | 6,5 | 980 |
| | 405 | 12360 | 7270 | 12540 | 7640 | 310 | 310 | 19750 | 6800 | 7900 | 27820 | 10610 | 12970 | 35890 | 14390 | 18040 | | | | 145 | 6,5 | 1060 |
| | 424 | 14240 | 8370 | 14450 | | | | 17840 | 5470 | 6020 | 25910 | 9350 | 11090 | 33980 | 13120 | 16160 | | | | 145 | 6,5 | 1160 |
| | 415 | 16300 | 9580 | 16540 | | | | 15750 | 3890 | 3960 | 23820 | 7900 | 9030 | 31890 | 11740 | 14100 | 44000 | 17410 | 21700 | 150 | 6,5 | 1220 |
| | 425 | 18000 | 10580 | 18270 | | | | 14020 | 2270 | 2260 | 22090 | 6690 | 7330 | 30160 | 10580 | 12400 | 42270 | 16270 | 20000 | 155 | 6,5 | 1260 |
| RCOM 4500/160/.. | 405 | 12360 | 7270 | 12540 | 14370 | 4190 | 4530 | 30510 | 11870 | 14660 | 41270 | 16910 | 21410 | | | | | | | 105 | 8,4 | 1090 |
| | 424 | 14240 | 8370 | 14450 | 12460 | 2650 | 2650 | 28600 | 10600 | 12780 | 39360 | 15640 | 19530 | | | | | | | 110 | 8,4 | 1190 |
| | 415 | 16300 | 9580 | 16540 | 10370 | 590 | 590 | 26510 | 9190 | 10720 | 37270 | 14260 | 17470 | | | | | | | 115 | 8,4 | 1250 |
| | 425 | 18000 | 10580 | 18270 | | | | 24780 | 8000 | 9020 | 35540 | 13120 | 15770 | 46310 | 18160 | 22530 | | | | 120 | 8,4 | 1290 |
| RCOM 4500/180/.. | 424 | 14240 | 8370 | 14450 | 20080 | 6550 | 7430 | 40800 | 16320 | 20440 | | | | | | | | | | 85 | 11 | 1230 |
| | 415 | 16300 | 9580 | 16540 | 17990 | 5060 | 5370 | 38710 | 14940 | 18380 | | | | | | | | | | 90 | 11 | 1290 |
| | 425 | 18000 | 10580 | 18270 | 16260 | 3660 | 3670 | 36980 | 13790 | 16680 | | | | | | | | | | 90 | 11 | 1330 |
| RCOM 4500/200/.. | 415 | 16300 | 9580 | 16540 | 26510 | 9190 | 10720 | | | | | | | | | | | | | 70 | 13 | 1340 |
| | 425 | 18000 | 10580 | 18270 | 24780 | 8000 | 9020 | | | | | | | | | | | | | 75 | 13 | 1380 |
| RCOM 4500/.../ | 40X | HIGHER TORQUES ON REQUEST ACCORDING TO CUSTOMER SPECIFICATION | | | | | | | | | | | | | | | | | | | | |
| RCOM 7500/110/.. | 404 | 11380 | 6290 | 9590 | | | | 13200 | 2920 | 2920 | 18900 | 5880 | 6500 | 24600 | 8610 | 10080 | 33140 | 12630 | 15440 | 220 | 5,4 | 1240 |
| | 413 | 14340 | 7930 | 12090 | | | | | | | 16400 | 3540 | 3540 | 22100 | 6550 | 7120 | 30640 | 10680 | 12480 | 220 | 5,4 | 1260 |
| | 405 | 16360 | 9040 | 13790 | | | | | | | 14700 | 1520 | 1520 | 20400 | 5010 | 5100 | 28940 | 9300 | 10460 | 220 | 5,4 | 1350 |
| | 424 | 18850 | 10420 | 15890 | | | | | | | | | | 18300 | 2610 | 2610 | 26840 | 7520 | 7970 | 220 | 5,4 | 1450 |
| | 415 | 21570 | 11920 | 18190 | | | | | | | | | | | | | 24540 | 5250 | 5250 | 220 | 5,4 | 1520 |
| RCOM 7500/125/.. | 404 | 11380 | 6290 | 9590 | 9890 | 840 | 840 | 21570 | 7160 | 8180 | 29360 | 10860 | 13070 | 37150 | 14500 | 17960 | 48840 | 19980 | 25290 | 215 | 7,0 | 1250 |
| | 413 | 14340 | 7930 | 12090 | | | | 19070 | 5020 | 5220 | 26860 | 8860 | 10110 | 34650 | 12580 | 15000 | 46340 | 18060 | 22330 | 220 | 7,0 | 1280 |
| | 405 | 16360 | 9040 | 13790 | | | | 17370 | 3200 | 3200 | 25160 | 7450 | 8090 | 32950 | 11220 | 12980 | 44640 | 16750 | 20310 | 220 | 7,0 | 1360 |
| | 424 | 18850 | 10420 | 15890 | | | | 15270 | 710 | 710 | 23060 | 5530 | 5600 | 30850 | 9520 | 10490 | 42540 | 15120 | 17820 | 220 | 7,0 | 1460 |
| | 415 | 21570 | 11920 | 18190 | | | | | | | 20760 | 2870 | 2880 | 28550 | 7480 | 7770 | 40240 | 13260 | 15100 | 220 | 7,0 | 1530 |
| | 425 | 23820 | 13170 | 20080 | | | | | | | 18870 | 620 | 630 | 26660 | 5510 | 5520 | 38350 | 11700 | 12850 | 220 | 7,0 | 1610 |
| RCOM 7500/140/.. | 413 | 14340 | 7930 | 12090 | 13280 | 1580 | 1580 | 28510 | 9650 | 11140 | 38660 | 14460 | 17510 | 48810 | 19210 | 23880 | 64030 | 26340 | 33430 | 170 | 8,8 | 1310 |
| | 405 | 16360 | 9040 | 13790 | | | | 26810 | 8270 | 9120 | 36960 | 13140 | 15490 | 47110 | 17910 | 21860 | 62330 | 25030 | 31410 | 175 | 8,8 | 1400 |
| | 424 | 18850 | 10420 | 15890 | | | | 24710 | 6410 | 6630 | 34860 | 11440 | 13000 | 45010 | 16290 | 19370 | 60230 | 23420 | 28920 | 180 | 8,8 | 1500 |
| | 415 | 21570 | 11920 | 18190 | | | | 22410 | 3910 | 3910 | 32560 | 9520 | 10280 | 42710 | 14440 | 16650 | 57930 | 21650 | 26200 | 185 | 8,8 | 1570 |
| | 425 | 23820 | 13170 | 20080 | | | | 20520 | 1660 | 1660 | 30670 | 7810 | 8030 | 40820 | 12900 | 14400 | 56040 | 20190 | 23950 | 185 | 8,8 | 1650 |
| RCOM 7500/160/.. | 424 | 18850 | 10420 | 15890 | 18390 | 2670 | 2660 | 38950 | 13400 | 15570 | 52660 | 19880 | 24180 | 66370 | 26300 | 32780 | | | | 135 | 11 | 1540 |
| | 415 | 21570 | 11920 | 18190 | | | | 36650 | 11540 | 12850 | 50360 | 18110 | 21460 | 64070 | 24530 | 30060 | | | | 135 | 11 | 1610 |
| | 425 | 23820 | 13170 | 20080 | | | | 34760 | 9910 | 10600 | 48470 | 16570 | 19210 | 62180 | 23070 | 27810 | | | | 140 | 11 | 1690 |
| RCOM 7500/180/.. | 415 | 21570 | 11920 | 18190 | 26180 | 6210 | 6280 | 52800 | 19250 | 22980 | 70540 | 27560 | 34120 | | | | | | | 105 | 15 | 1640 |
| | 425 | 23820 | 13170 | 20080 | 24290 | 4020 | 4030 | 50910 | 17740 | 20730 | 68650 | 26100 | 31870 | | | | | | | 105 | 15 | 1720 |
| RCOM 7500/200/.. | 415 | 21570 | 11920 | 18190 | 37450 | 11920 | 13350 | 70840 | 27700 | 34310 | | | | | | | | | | 85 | 18 | 1700 |
| | 425 | 23820 | 13170 | 20080 | 35560 | 10310 | 11100 | 68950 | 26240 | 32060 | | | | | | | | | | 85 | 18 | 1780 |
| RCOM 7500/220/.. | 415 | 21570 | 11920 | 18190 | 49920 | 17900 | 21180 | | | | | | | | | | | | | 70 | 22 | 1780 |
| | 425 | 23820 | 13170 | 20080 | 48030 | 16360 | 18930 | | | | | | | | | | | | | 70 | 22 | 1860 |
| RCOM 7500/250/.. | 425 | 23820 | 13170 | 2 | | | | | | | | | | | | | | | | | | |

HYDRAULIC QUARTER TURN ACTUATOR SCOTCH-YOKE EXECUTION

SINGLE ACTING ACTUATORS TORQUE

SERIES RWOM - RCOM

CANTED

SPRING TO OPEN

| ACTUATOR TYPE | SPRING | SPRING TO OPEN | | | OIL TO CLOSE | | | | | | | | | | | | | | | PRESS. MAX. | OIL DIS-PLACED | APPROX. WEIGHT |
|------------------|--------|----------------|------|-------|--------------|------|-------|--------|------|-------|---------|------|-------|---------|------|-------|---------|------|-------|-------------|----------------|----------------|
| | | END | RUN | BREAK | 50 bar | | | 80 bar | | | 100 bar | | | 120 bar | | | 150 bar | | | | | |
| | | Nm | Nm | Nm | END | RUN | BREAK | END | RUN | BREAK | END | RUN | BREAK | END | RUN | BREAK | END | RUN | BREAK | | | |
| RWOM 900/60/.. | 209 | 870 | 920 | 2280 | | | | 900 | 590 | 1130 | 1700 | 970 | 1630 | 2500 | 1340 | 2130 | 3690 | 1890 | 2880 | 220 | 0,6 | 180 |
| | 201 | 1190 | 1260 | 3140 | | | | 40 | 50 | 810 | 840 | 620 | 1310 | 1640 | 1010 | 1810 | 2830 | 1560 | 2560 | 220 | 0,6 | 200 |
| | 202 | 1710 | 1800 | 4490 | | | | | | | | | | 290 | 280 | 1290 | 1480 | 1020 | 2040 | 220 | 0,6 | 230 |
| | 203 | 2090 | 2210 | 5490 | | | | | | | | | | | | | 480 | 480 | 1660 | 220 | 0,6 | 270 |
| RWOM 900/80/.. | 209 | 870 | 920 | 2280 | 1260 | 760 | 1350 | 3380 | 1740 | 2680 | 4800 | 2400 | 3570 | 6210 | 3040 | 4460 | 8340 | 4010 | 5790 | 145 | 1,0 | 190 |
| | 201 | 1190 | 1260 | 3140 | 400 | 380 | 1030 | 2520 | 1420 | 2360 | 3940 | 2070 | 3250 | 5350 | 2730 | 4140 | 7480 | 3700 | 5470 | 155 | 1,0 | 210 |
| | 202 | 1710 | 1800 | 4490 | | | | 1170 | 870 | 1840 | 2590 | 1550 | 2730 | 4000 | 2210 | 3620 | 6130 | 3190 | 4950 | 165 | 1,0 | 230 |
| | 203 | 2090 | 2210 | 5490 | | | | 170 | 170 | 1460 | 1590 | 1140 | 2350 | 3000 | 1820 | 3240 | 5130 | 2810 | 4570 | 175 | 1,0 | 280 |
| RWOM 900/90/.. | 209 | 870 | 920 | 2280 | 2200 | 1200 | 1940 | 4890 | 2440 | 3630 | 6680 | 3250 | 4750 | 8470 | 4070 | 5880 | | | | 120 | 1,3 | 200 |
| | 201 | 1190 | 1260 | 3140 | 1340 | 860 | 1620 | 4030 | 2110 | 3310 | 5820 | 2940 | 4430 | 7610 | 3760 | 5560 | | | | 120 | 1,3 | 210 |
| | 202 | 1710 | 1800 | 4490 | | | | 2680 | 1590 | 2790 | 4470 | 2420 | 3910 | 6260 | 3250 | 5040 | 8950 | 4490 | 6720 | 130 | 1,3 | 240 |
| | 203 | 2090 | 2210 | 5490 | | | | 1680 | 1190 | 2410 | 3470 | 2040 | 3530 | 5260 | 2870 | 4660 | 7950 | 4110 | 6340 | 140 | 1,3 | 290 |
| | 204 | 2610 | 2750 | 6850 | | | | 320 | 320 | 1890 | 2110 | 1490 | 3010 | 3900 | 2350 | 4140 | 6590 | 3600 | 5820 | 145 | 1,3 | 310 |
| RWOM 900/100/.. | 201 | 1190 | 1260 | 3140 | 2390 | 1360 | 2280 | 5710 | 2890 | 4360 | 7920 | 3900 | 5750 | | | | | | | 100 | 1,6 | 230 |
| | 202 | 1710 | 1800 | 4490 | 1040 | 800 | 1760 | 4360 | 2370 | 3840 | 6570 | 3390 | 5230 | | | | | | | 105 | 1,6 | 250 |
| | 203 | 2090 | 2210 | 5490 | 40 | 40 | 1380 | 3360 | 1990 | 3460 | 5570 | 3010 | 4850 | | | | | | | 110 | 1,6 | 300 |
| | 204 | 2610 | 2750 | 6850 | | | | 2000 | 1430 | 2940 | 4210 | 2490 | 4330 | 6420 | 3520 | 5720 | | | | 120 | 1,6 | 320 |
| RWOM 900/110/.. | 201 | 1190 | 1260 | 3140 | 3550 | 1890 | 3010 | 7560 | 3740 | 5530 | | | | | | | | | | 80 | 1,9 | 240 |
| | 202 | 1710 | 1800 | 4490 | 2200 | 1370 | 2490 | 6210 | 3230 | 5010 | | | | | | | | | | 90 | 1,9 | 270 |
| | 203 | 2090 | 2210 | 5490 | 1200 | 950 | 2110 | 5210 | 2850 | 4630 | | | | | | | | | | 90 | 1,9 | 310 |
| | 204 | 2610 | 2750 | 6850 | | | | 3850 | 2330 | 4110 | 6530 | 3570 | 5790 | | | | | | | 100 | 1,9 | 340 |
| RWOM 900/125/.. | 201 | 1190 | 1260 | 3140 | 5500 | 2790 | 4230 | | | | | | | | | | | | | 65 | 2,4 | 250 |
| | 202 | 1710 | 1800 | 4490 | 4150 | 2280 | 3710 | | | | | | | | | | | | | 70 | 2,4 | 270 |
| | 203 | 2090 | 2210 | 5490 | 3150 | 1890 | 3330 | | | | | | | | | | | | | 70 | 2,4 | 320 |
| RWOM 1400/80/.. | 301 | 1610 | 1540 | 3690 | 530 | 440 | 1040 | 3060 | 1640 | 2630 | 4750 | 2420 | 3690 | 6440 | 3200 | 4750 | 8970 | 4350 | 6340 | 195 | 1,3 | 320 |
| | 302 | 2300 | 2210 | 5290 | 1460 | 990 | 1940 | 1460 | 990 | 1940 | 3150 | 1790 | 3000 | 4840 | 2570 | 4060 | 7370 | 3740 | 5650 | 210 | 1,3 | 350 |
| RWOM 1400/90/.. | 301 | 1610 | 1540 | 3690 | 1650 | 990 | 1740 | 4860 | 2470 | 3750 | 6990 | 3450 | 5100 | 9130 | 4430 | 6440 | 12340 | 5890 | 8450 | 155 | 1,6 | 330 |
| | 302 | 2300 | 2210 | 5290 | 50 | 50 | 1050 | 3260 | 1840 | 3060 | 5390 | 2820 | 4410 | 7530 | 3810 | 5750 | 10740 | 5270 | 7760 | 165 | 1,6 | 350 |
| | 303 | 2820 | 2700 | 6460 | | | | 2090 | 1350 | 2540 | 4220 | 2350 | 3890 | 6360 | 3340 | 5230 | 9570 | 4820 | 7240 | 175 | 1,6 | 400 |
| | 304 | 3510 | 3370 | 8060 | | | | 490 | 490 | 1850 | 2620 | 1700 | 3200 | 4760 | 2700 | 4540 | 7970 | 4190 | 6550 | 185 | 1,6 | 470 |
| | 313 | 4430 | 4240 | 10160 | | | | | | | 520 | 530 | 2280 | 2660 | 1830 | 3620 | 5870 | 3350 | 5630 | 195 | 1,6 | 490 |
| | 305 | 5050 | 4840 | 11580 | | | | | | | | | | 1240 | 1150 | 3000 | 4450 | 2760 | 5010 | 205 | 1,6 | 550 |
| RWOM 1400/100/.. | 301 | 1610 | 1540 | 3690 | 2900 | 1570 | 2530 | 6860 | 3390 | 5010 | 9500 | 4600 | 6670 | 12140 | 5800 | 8320 | | | | 125 | 2,0 | 330 |
| | 302 | 2300 | 2210 | 5290 | 1300 | 910 | 1840 | 5260 | 2760 | 4320 | 7900 | 3980 | 5980 | 10540 | 5180 | 7630 | | | | 135 | 2,0 | 360 |
| | 303 | 2820 | 2700 | 6460 | 130 | 130 | 1320 | 4090 | 2290 | 3800 | 6730 | 3510 | 5460 | 9370 | 4730 | 7110 | | | | 140 | 2,0 | 410 |
| | 304 | 3510 | 3370 | 8060 | | | | 2490 | 1640 | 3110 | 5130 | 2880 | 4770 | 7770 | 4090 | 6420 | 11720 | 5920 | 8910 | 150 | 2,0 | 480 |
| | 313 | 4430 | 4240 | 10160 | | | | 390 | 400 | 2190 | 3030 | 2010 | 3850 | 5670 | 3260 | 5500 | 9620 | 5080 | 7990 | 160 | 2,0 | 500 |
| | 305 | 5050 | 4840 | 11580 | | | | | | | 1610 | 1360 | 3230 | 4250 | 2660 | 4880 | 8200 | 4510 | 7370 | 165 | 2,0 | 560 |
| RWOM 1400/110/.. | 302 | 2300 | 2210 | 5290 | 2690 | 1570 | 2710 | 7480 | 3790 | 5710 | 10670 | 5240 | 7720 | | | | | | | 110 | 2,4 | 370 |
| | 303 | 2820 | 2700 | 6460 | 1520 | 1080 | 2190 | 6310 | 3320 | 5190 | 9500 | 4790 | 7200 | | | | | | | 115 | 2,4 | 420 |
| | 304 | 3510 | 3370 | 8060 | | | | 4710 | 2680 | 4500 | 7900 | 4150 | 6510 | 11090 | 5630 | 8510 | | | | 125 | 2,4 | 490 |
| | 313 | 4430 | 4240 | 10160 | | | | 2610 | 1800 | 3580 | 5800 | 3320 | 5590 | 8990 | 4790 | 7590 | | | | 130 | 2,4 | 510 |
| RWOM 1400/125/.. | 302 | 2300 | 2210 | 5290 | 5010 | 2650 | 4170 | 11200 | 5480 | 8050 | | | | | | | | | | 85 | 3,1 | 380 |
| | 303 | 2820 | 2700 | 6460 | 3840 | 2180 | 3650 | 10030 | 5030 | 7530 | | | | | | | | | | 90 | 3,1 | 430 |
| | 304 | 3510 | 3370 | 8060 | 2240 | 1520 | 2960 | 8430 | 4400 | 6840 | | | | | | | | | | 95 | 3,1 | 500 |
| | 313 | 4430 | 4240 | 10160 | 140 | 150 | 2040 | 6330 | 3560 | 5920 | 10450 | 5460 | 8500 | | | | | | | 100 | 3,1 | 520 |
| | 305 | 5050 | 4840 | 11580 | | | | 4910 | 2980 | 5300 | 9030 | 4890 | 7880 | | | | | | | 105 | 3,1 | 580 |
| | 324 | 5820 | 5580 | 13350 | | | | 3140 | 2230 | 4530 | 7260 | 4190 | 7110 | | | | | | | 115 | 3,1 | 650 |
| RWOM 1400/140/.. | 302 | 2300 | 2210 | 5290 | 7640 | 3860 | 5810 | | | | | | | | | | | | | 70 | 3,8 | 400 |
| | 303 | 2820 | 2700 | 6460 | 6470 | 3390 | 5290 | | | | | | | | | | | | | 70 | 3,8 | 450 |
| | 304 | 3510 | 3370 | 8060 | 4870 | 2750 | 4600 | | | | | | | | | | | | | 75 | 3,8 | 520 |
| | 313 | 4430 | 4240 | 10160 | 2770 | 1880 | 3680 | 10520 | 5500 | 8550 | | | | | | | | | | 80 | 3,8 | 540 |
| | 305 | 5050 | 4840 | 11580 | 1350 | 1210 | 3060 | 9100 | 4930 | 7930 | | | | | | | | | | 85 | 3,8 | 600 |

HYDRAULIC QUARTER TURN ACTUATOR SCOTCH-YOKE EXECUTION

SINGLE ACTING

SERIES RWOM - RCOM

ACTUATORS TORQUE

CANTED

SPRING TO OPEN

| ACTUATOR TYPE | SPRING | SPRING TO OPEN | | | OIL TO CLOSE | | | | | | | | | | | | | | | PRESS. MAX. | OIL DIS. PLACED | APPROX. WEIGHT |
|------------------|--------|----------------|------|-------|--------------|------|-------|--------|-------|-------|---------|-------|-------|---------|-------|-------|---------|------|-------|-------------|-----------------|----------------|
| | | END | RUN | BREAK | 50 bar | | | 80 bar | | | 100 bar | | | 120 bar | | | 150 bar | | | | | |
| | | Nm | Nm | Nm | END | RUN | BREAK | END | RUN | BREAK | END | RUN | BREAK | END | RUN | BREAK | END | RUN | BREAK | | | |
| RCOM 2500/90/.. | 301 | 1900 | 1950 | 4800 | 1090 | 830 | 1800 | 4630 | 2500 | 4020 | 6990 | 3590 | 5500 | 9350 | 4680 | 6980 | 12880 | 6290 | 9200 | 220 | 2,1 | 480 |
| | 302 | 2710 | 2790 | 6870 | | | | 2560 | 1680 | 3210 | 4920 | 2790 | 4690 | 7280 | 3880 | 6170 | 10810 | 5520 | 8390 | 220 | 2,1 | 510 |
| | 303 | 3320 | 3410 | 8400 | | | | 1030 | 980 | 2600 | 3390 | 2180 | 4080 | 5750 | 3290 | 5560 | 9280 | 4930 | 7780 | 220 | 2,1 | 550 |
| | 304 | 4130 | 4250 | 10480 | | | | | | | 1310 | 1230 | 3270 | 3670 | 2460 | 4750 | 7200 | 4130 | 6970 | 220 | 2,1 | 640 |
| RCOM 2500/100/.. | 302 | 2710 | 2790 | 6870 | 650 | 650 | 2010 | 5170 | 2910 | 4850 | 8180 | 4300 | 6730 | 11190 | 5690 | 8620 | 15700 | 7750 | 11460 | 195 | 2,6 | 515 |
| | 303 | 3320 | 3410 | 8400 | | | | 3640 | 2300 | 4240 | 6650 | 3710 | 6120 | 9660 | 5100 | 8010 | 14170 | 7180 | 10850 | 200 | 2,6 | 560 |
| | 304 | 4130 | 4250 | 10480 | | | | 1560 | 1380 | 3430 | 4570 | 2880 | 5310 | 7580 | 4300 | 7200 | 12090 | 6380 | 10040 | 210 | 2,6 | 640 |
| | 313 | 5210 | 5360 | 13200 | | | | | | | 1850 | 1670 | 4230 | 4860 | 3200 | 6120 | 9370 | 5330 | 8960 | 220 | 2,6 | 660 |
| | 305 | 5940 | 6110 | 15060 | | | | | | | | | | 3000 | 2390 | 5390 | 7510 | 4590 | 8230 | 220 | 2,6 | 710 |
| RCOM 2500/110/.. | 303 | 3320 | 3410 | 8400 | 920 | 900 | 2530 | 6520 | 3650 | 6040 | 10250 | 5370 | 8380 | 13980 | 7090 | 10720 | 19570 | 9650 | 14240 | 160 | 3,1 | 590 |
| | 304 | 4130 | 4250 | 10480 | | | | 4440 | 2820 | 5230 | 8170 | 4570 | 7570 | 11900 | 6290 | 9910 | 17490 | 8880 | 13430 | 170 | 3,1 | 660 |
| | 313 | 5210 | 5360 | 13200 | | | | 1720 | 1590 | 4150 | 5450 | 3490 | 6490 | 9180 | 5240 | 8830 | 14770 | 7830 | 12350 | 180 | 3,1 | 690 |
| | 305 | 5940 | 6110 | 15060 | | | | | | | 3590 | 2700 | 5760 | 7320 | 4500 | 8100 | 12910 | 7110 | 11620 | 185 | 3,1 | 740 |
| | 324 | 6850 | 7040 | 17350 | | | | | | | 1300 | 1300 | 4850 | 5030 | 3550 | 7190 | 10620 | 6220 | 10710 | 195 | 3,1 | 800 |
| RCOM 2500/125/.. | 303 | 3320 | 3410 | 8400 | 3950 | 2450 | 4430 | 11350 | 5880 | 9080 | 16290 | 8150 | 12180 | 21230 | 10410 | 15280 | | | | 125 | 4,1 | 590 |
| | 304 | 4130 | 4250 | 10480 | 1870 | 1550 | 3620 | 9270 | 5080 | 8270 | 14210 | 7360 | 11370 | 19150 | 9640 | 14470 | | | | 130 | 4,1 | 670 |
| | 313 | 5210 | 5360 | 13200 | | | | 6550 | 4010 | 7190 | 11490 | 6310 | 10290 | 16430 | 8590 | 13390 | | | | 135 | 4,1 | 690 |
| | 305 | 5940 | 6110 | 15060 | | | | 4690 | 3250 | 6460 | 9630 | 5600 | 9560 | 14570 | 7880 | 12660 | | | | 140 | 4,1 | 750 |
| | 324 | 6850 | 7040 | 17350 | | | | 2400 | 2180 | 5550 | 7340 | 4670 | 8650 | 12280 | 6990 | 11750 | | | | 145 | 4,1 | 810 |
| | 315 | 7840 | 8060 | 19860 | | | | | | | 4830 | 3610 | 7660 | 9770 | 5990 | 10760 | 17180 | 9450 | 15410 | 150 | 4,1 | 860 |
| RCOM 2500/140/.. | 304 | 4130 | 4250 | 10480 | 5270 | 3220 | 5760 | 14730 | 7600 | 11690 | 21030 | 10500 | 15640 | | | | | | | 100 | 5,1 | 700 |
| | 313 | 5210 | 5360 | 13200 | 2550 | 2060 | 4680 | 12010 | 6550 | 10610 | 18310 | 9460 | 14560 | | | | | | | 105 | 5,1 | 730 |
| | 305 | 5940 | 6110 | 15060 | 690 | 690 | 3950 | 10150 | 5830 | 9880 | 16450 | 8740 | 13830 | | | | | | | 110 | 5,1 | 780 |
| | 324 | 6850 | 7040 | 17350 | | | | 7860 | 4910 | 8970 | 14160 | 7860 | 12920 | | | | | | | 115 | 5,1 | 840 |
| | 315 | 7840 | 8060 | 19860 | | | | 5350 | 3860 | 7980 | 11650 | 6880 | 11930 | 17950 | 9800 | 15890 | | | | 120 | 5,1 | 890 |
| RCOM 2500/160/.. | 313 | 5210 | 5360 | 13200 | 7700 | 4550 | 7910 | 20240 | 10350 | 15780 | | | | | | | | | | 80 | 6,6 | 750 |
| | 305 | 5940 | 6110 | 15060 | 5840 | 3800 | 7180 | 18380 | 9630 | 15050 | | | | | | | | | | 80 | 6,6 | 810 |
| | 324 | 6850 | 7040 | 17350 | 3550 | 2810 | 6270 | 16090 | 8750 | 14140 | | | | | | | | | | 85 | 6,6 | 870 |
| | 315 | 7840 | 8060 | 19860 | 1040 | 1040 | 5280 | 13580 | 7780 | 13150 | | | | | | | | | | 90 | 6,6 | 920 |
| RCOM 2500/180/.. | 313 | 5210 | 5360 | 13200 | 13530 | 7250 | 11560 | | | | | | | | | | | | | 65 | 8,4 | 750 |
| | 305 | 5940 | 6110 | 15060 | 11670 | 6540 | 10830 | | | | | | | | | | | | | 65 | 8,4 | 840 |
| | 324 | 6850 | 7040 | 17350 | 9380 | 5630 | 9920 | | | | | | | | | | | | | 65 | 8,4 | 900 |

HYDRAULIC QUARTER TURN ACTUATOR SCOTCH-YOKE EXECUTION

SINGLE ACTING ACTUATORS TORQUE

SERIES RWOM - RCOM

CANTED

SPRING TO OPEN

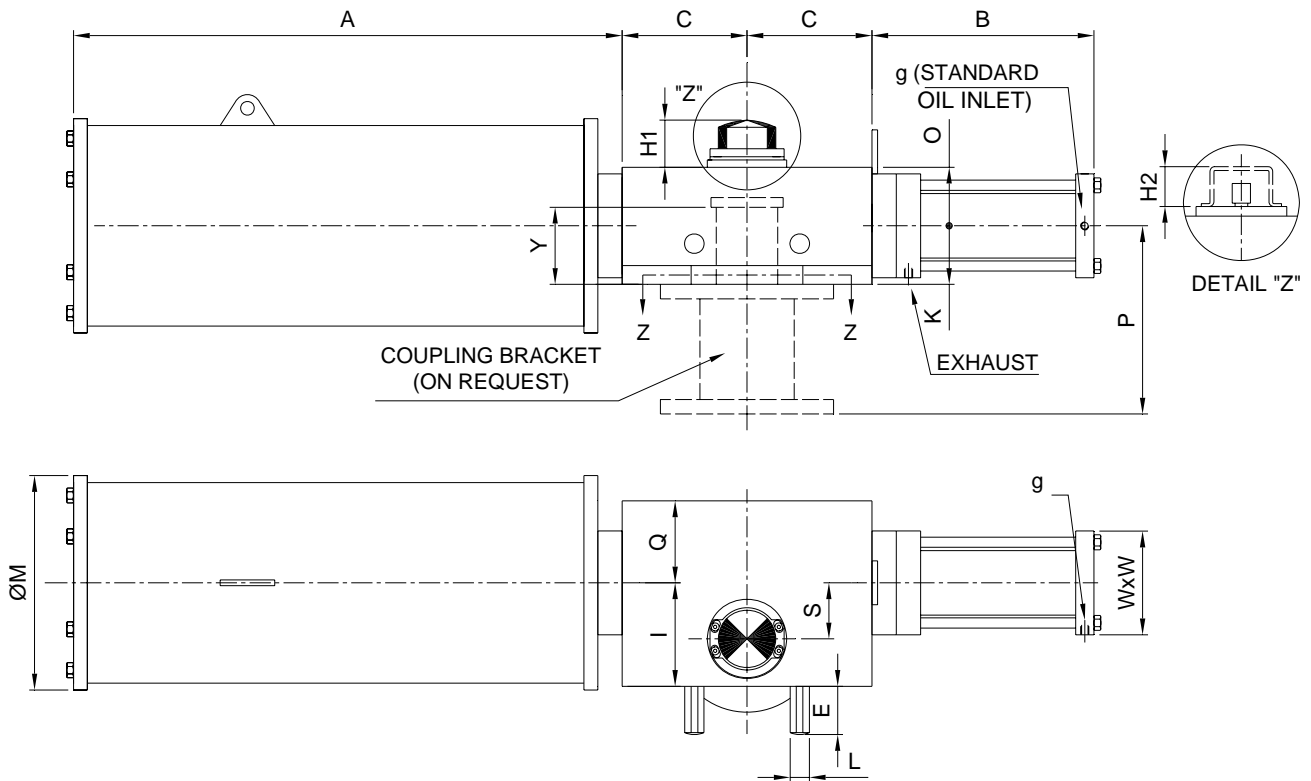
| ACTUATOR TYPE | SPRING | SPRING TO OPEN | | | OIL TO CLOSE | | | | | | | | | | | | | | | PRESS. MAX. bar | OIL DIS-PLACED lt | APPROX. WEIGHT kg |
|---------------------------|--------|--|-------|-------|--------------|-------|-------|--------|-------|-------|---------|-------|-------|---------|-------|-------|---------|-------|-------|-----------------|-------------------|-------------------|
| | | END | RUN | BREAK | 50 bar | | | 80 bar | | | 100 bar | | | 120 bar | | | 150 bar | | | | | |
| | | Nm | Nm | Nm | END | RUN | BREAK | END | RUN | BREAK | END | RUN | BREAK | END | RUN | BREAK | END | RUN | BREAK | | | |
| RCOM 4500/100/.. | 403 | 4390 | 4470 | 10990 | | | | 3300 | 2290 | 4580 | 6870 | 3990 | 6820 | 10440 | 5640 | 9060 | 15790 | 8110 | 12420 | 220 | 3,3 | 790 |
| | 404 | 5480 | 5580 | 13700 | | | | 590 | 590 | 3490 | 4160 | 2880 | 5730 | 7730 | 4580 | 7970 | 13080 | 7060 | 11330 | 220 | 3,3 | 910 |
| | 413 | 6900 | 7030 | 17270 | | | | 590 | 590 | 4310 | 4160 | 3090 | 6550 | 4160 | 3090 | 6550 | 9510 | 5670 | 9910 | 220 | 3,3 | 930 |
| RCOM 4500/110/.. | 403 | 4390 | 4470 | 10990 | 290 | 300 | 2690 | 7060 | 4080 | 6940 | 11580 | 6170 | 9770 | 16090 | 8250 | 12600 | 22860 | 11350 | 16850 | 220 | 4,0 | 810 |
| | 404 | 5480 | 5580 | 13700 | | | | 4350 | 2980 | 5850 | 8870 | 5120 | 8680 | 13380 | 7200 | 11510 | 20150 | 10330 | 15760 | 220 | 4,0 | 920 |
| | 413 | 6900 | 7030 | 17270 | | | | 780 | 780 | 4430 | 5300 | 3660 | 7260 | 9810 | 5810 | 10090 | 16580 | 8940 | 14340 | 220 | 4,0 | 950 |
| | 405 | 7870 | 8020 | 19690 | | | | 2880 | 2540 | 6290 | 2880 | 2540 | 6290 | 7390 | 4820 | 9120 | 14160 | 8000 | 13370 | 220 | 4,0 | 1020 |
| RCOM 4500/125/.. | 403 | 4390 | 4470 | 10990 | 4240 | 2750 | 5170 | 13390 | 7000 | 10910 | 19480 | 9810 | 14730 | 25570 | 12590 | 18560 | 34710 | 16770 | 24290 | 165 | 5,2 | 820 |
| | 404 | 5480 | 5580 | 13700 | 1530 | 1490 | 4080 | 10680 | 5950 | 9820 | 16770 | 8770 | 13640 | 22860 | 11580 | 17470 | 32000 | 15760 | 23200 | 170 | 5,2 | 940 |
| | 413 | 6900 | 7030 | 17270 | | | | 7110 | 4530 | 8400 | 13200 | 7380 | 12220 | 19290 | 10200 | 16050 | 28430 | 14420 | 21780 | 180 | 5,2 | 960 |
| | 405 | 7870 | 8020 | 19690 | | | | 4690 | 3500 | 7430 | 10780 | 6430 | 11250 | 16870 | 9260 | 15080 | 26010 | 13480 | 20810 | 185 | 5,2 | 1040 |
| | 424 | 9070 | 9240 | 22690 | | | | 1690 | 1690 | 6230 | 7780 | 5210 | 10050 | 13870 | 8100 | 13880 | 23010 | 12320 | 19610 | 190 | 5,2 | 1140 |
| | 415 | 10380 | 10580 | 25970 | | | | 4500 | 3740 | 8740 | 4500 | 3740 | 8740 | 10590 | 6760 | 12570 | 19730 | 11050 | 18300 | 195 | 5,2 | 1200 |
| RCOM 4500/140/.. | 404 | 5480 | 5580 | 13700 | 5990 | 3760 | 6880 | 17810 | 9240 | 14290 | 25680 | 12870 | 19240 | 33560 | 16470 | 24180 | | | | 130 | 6,5 | 960 |
| | 413 | 6900 | 7030 | 17270 | 2420 | 2170 | 5460 | 14240 | 7860 | 12870 | 22110 | 11500 | 17820 | 29990 | 15130 | 22760 | | | | 140 | 6,5 | 980 |
| | 405 | 7870 | 8020 | 19690 | | | | 11820 | 6920 | 11900 | 19690 | 10560 | 16850 | 27570 | 14200 | 21790 | | | | 145 | 6,5 | 1060 |
| | 424 | 9070 | 9240 | 22690 | | | | 8820 | 5700 | 10700 | 16690 | 9400 | 15650 | 24570 | 13040 | 20590 | | | | 145 | 6,5 | 1160 |
| RCOM 4500/160/.. | 405 | 7870 | 8020 | 19690 | 6730 | 4510 | 8710 | 22580 | 11890 | 18660 | 33150 | 16770 | 25290 | | | | | | | 105 | 8,4 | 1090 |
| | 424 | 9070 | 9240 | 22690 | 3730 | 3160 | 7510 | 19580 | 10730 | 17460 | 30150 | 15610 | 24090 | | | | | | | 110 | 8,4 | 1190 |
| | 415 | 10380 | 10580 | 25970 | 450 | 450 | 6200 | 16300 | 9460 | 16150 | 26870 | 14340 | 22780 | | | | | | | 115 | 8,4 | 1250 |
| | 425 | 11470 | 11680 | 28680 | | | | 13590 | 8360 | 15060 | 24160 | 13290 | 21690 | 34720 | 18170 | 28320 | | | | 120 | 8,4 | 1290 |
| RCOM 4500/180/.. | 424 | 9070 | 9240 | 22690 | 11350 | 6900 | 12290 | 31780 | 16370 | 25110 | | | | | | | | | | 85 | 10,7 | 1230 |
| | 415 | 10380 | 10580 | 25970 | 8070 | 5550 | 10980 | 28500 | 15100 | 23800 | | | | | | | | | | 90 | 10,7 | 1290 |
| | 425 | 11470 | 11680 | 28680 | 5360 | 4340 | 9890 | 25790 | 14050 | 22710 | | | | | | | | | | 90 | 10,7 | 1330 |
| RCOM 4500/200/.. | 424 | 9070 | 9240 | 22690 | 19870 | 10870 | 17640 | | | | | | | | | | | | | 70 | 13,2 | 1280 |
| | 415 | 10380 | 10580 | 25970 | 16590 | 9600 | 16330 | | | | | | | | | | | | | 75 | 13,2 | 1340 |
| RCOM 4500/220/.. | 424 | 9070 | 9240 | 22690 | 29290 | 15220 | 23550 | | | | | | | | | | | | | 55 | 16,0 | 1350 |
| | 415 | 10380 | 10580 | 25970 | 26010 | 13950 | 22240 | | | | | | | | | | | | | 60 | 16,0 | 1410 |
| | 425 | 11470 | 11680 | 28680 | 23300 | 12900 | 21150 | | | | | | | | | | | | | 60 | 16,0 | 1450 |
| RCOM 4500/.../ 40X | | HIGHER TORQUES ON REQUEST ACCORDING TO CUSTOMER SPECIFICATION | | | | | | | | | | | | | | | | | | | | |
| RCOM 7500/110/.. | 404 | 6020 | 8280 | 18130 | | | | 4550 | 3640 | 8220 | 10220 | 6420 | 11780 | 15900 | 9090 | 15340 | 24400 | 13020 | 20670 | 220 | 5,4 | 1240 |
| | 413 | 7590 | 10440 | 22850 | | | | 5500 | 4460 | 10210 | 11180 | 7280 | 13770 | 19680 | 11300 | 19100 | 19680 | 11300 | 19100 | 220 | 5,4 | 1260 |
| | 405 | 8650 | 11910 | 26060 | | | | 2290 | 2290 | 9150 | 2290 | 2290 | 9150 | 7970 | 5970 | 12710 | 16470 | 10070 | 18040 | 220 | 5,4 | 1350 |
| RCOM 7500/125/.. | 404 | 6020 | 8280 | 18130 | 1280 | 1280 | 6160 | 12920 | 7700 | 13470 | 20690 | 11300 | 18340 | 28450 | 14890 | 23210 | 40090 | 20260 | 30520 | 215 | 7,0 | 1250 |
| | 413 | 7590 | 10440 | 22850 | | | | 8200 | 5830 | 11900 | 15970 | 9550 | 16770 | 23730 | 13170 | 21640 | 35370 | 18540 | 28950 | 220 | 7,0 | 1280 |
| | 405 | 8650 | 11910 | 26060 | | | | 4990 | 4390 | 10840 | 12760 | 8310 | 15710 | 20520 | 11990 | 20580 | 32160 | 17370 | 27890 | 220 | 7,0 | 1360 |
| | 424 | 9970 | 13720 | 30030 | | | | 1020 | 1030 | 9520 | 8790 | 6680 | 14390 | 16550 | 10460 | 19260 | 28190 | 15920 | 26570 | 220 | 7,0 | 1460 |
| | 415 | 11410 | 15710 | 34370 | | | | 4450 | 4430 | 12950 | 4450 | 4430 | 12950 | 12210 | 8710 | 17820 | 23850 | 14290 | 25130 | 220 | 7,0 | 1530 |
| RCOM 7500/140/.. | 413 | 7590 | 10440 | 22850 | 2460 | 2460 | 8290 | 17640 | 10350 | 17820 | 27760 | 15030 | 24180 | 37880 | 19700 | 30530 | 53070 | 26700 | 40060 | 170 | 8,8 | 1310 |
| | 405 | 8650 | 11910 | 26060 | | | | 14430 | 9100 | 16780 | 24550 | 13860 | 23120 | 34670 | 18530 | 29470 | 49860 | 25540 | 39000 | 175 | 8,8 | 1400 |
| | 424 | 9970 | 13720 | 30030 | | | | 10460 | 7510 | 15440 | 20580 | 12370 | 21800 | 30700 | 17080 | 28150 | 45890 | 24100 | 37680 | 180 | 8,8 | 1500 |
| | 415 | 11410 | 15710 | 34370 | | | | 6120 | 5530 | 14000 | 16240 | 10690 | 20360 | 26360 | 15480 | 26710 | 41550 | 22510 | 36240 | 185 | 8,8 | 1570 |
| | 425 | 12610 | 17350 | 37960 | | | | 2530 | 2530 | 12800 | 12650 | 9210 | 19160 | 22770 | 14100 | 25510 | 37960 | 21200 | 35040 | 185 | 8,8 | 1650 |
| RCOM 7500/160/.. | 424 | 9970 | 13720 | 30030 | 4180 | 4100 | 11500 | 24700 | 14310 | 24380 | 38390 | 20630 | 32970 | 52070 | 26950 | 41560 | | | | 135 | 11 | 1540 |
| | 415 | 11410 | 15710 | 34370 | | | | 20360 | 12640 | 22940 | 34050 | 19040 | 31530 | 47730 | 25360 | 40120 | | | | 135 | 11 | 1610 |
| | 425 | 12610 | 17350 | 37960 | | | | 16770 | 11250 | 21740 | 30460 | 17740 | 30330 | 44140 | 24050 | 38920 | | | | 140 | 11 | 1690 |
| RCOM 7500/180/.. | 415 | 11410 | 15710 | 34370 | 9930 | 7580 | 16390 | 36510 | 20180 | 33070 | 54230 | 28360 | 44200 | | | | | | | 105 | 15 | 1640 |
| | 425 | 12610 | 17350 | 37960 | 6340 | 5870 | 15190 | 32920 | 18870 | 31870 | 50640 | 27050 | 43000 | | | | | | | 105 | 15 | 1720 |
| RCOM 7500/200/.. | 415 | 11410 | 15710 | 34370 | 21210 | 13040 | 23470 | 54550 | 28510 | 44400 | | | | | | | | | | 85 | 18 | 1700 |
| | 425 | 12610 | 17350 | 37960 | 17620 | 11650 | 22270 | 50960 | 27200 | 43200 | | | | | | | | | | 85 | 18 | 1780 |
| RCOM 7500/220/.. | 415 | 11410 | 15710 | 34370 | 33670 | 18870 | 31290 | | | | | | | | | | | | | 70 | 22 | 1780 |
| | 425 | 12610 | 17350 | 37960 | 30080 | 17560 | 30090 | | | | | | | | | | | | | 70 | 22 | 1860 |
| RCOM 7500/250/.. | 415 | 11410 | 15710 | 34370 | 54590 | 28530 | 44420 | | | | | | | | | | | | | 50 | 28 | 1870 |
| | 425 | 12610 | 17350 | 37960 | 51000 | 27220 | 43220 | | | | | | | | | | | | | 55 | 28 | 1950 |
| RCOM 7500/.../ 40X | | HIGHER TORQUES ON REQUEST ACCORDING TO CUSTOMER SPECIFICATION | | | | | | | | | | | | | | | | | | | | |

**RCOM/...
HIGHER TORQUES ON REQUEST ACCORDING TO CUSTOMER SPECIFICATION**

HYDRAULIC QUARTER TURN ACTUATOR SCOTCH-YOKE EXECUTION

SINGLE ACTING

TYPE RJOM - RWOM



ACTUATOR DIMENSIONS (mm)

| | A | B | C | E | H1 | H2 | I | K | L | O | Q | S | Y | g |
|---------------|------|-----|-----|----|----|----|-----|-----|----|-----|-----|-----|-----|-----|
| RWOM 900/... | 940 | 360 | 240 | 60 | 55 | 45 | 195 | 120 | 36 | 100 | 145 | 85 | 100 | ½ G |
| RJOM 900/... | | | | | | | | | | | | | | |
| RWOM 1400/... | 1350 | 400 | 285 | 70 | 55 | 45 | 230 | 125 | 46 | 110 | 165 | 100 | 120 | ½ G |
| RJOM 1400/... | | | | | | | | | | | | | | |

DRAWING ONLY FOR SPRING TO CLOSE, FOR SPRING TO OPEN DIMENSIONS ARE SYMMETRICAL IN RESPECT TO THE AXIS VALVES

FLANGE DIMENSIONS (mm)

| | D | n° x F | G | X | r | t | ISO | ON REQUEST | | | |
|---------------|-----|----------|-----|----|------|----|------|------------|------|------|------|
| | | | | | | | | MIN. | MAX. | Xmin | Xmax |
| RWOM 900/... | 300 | 4 x M 20 | 165 | 60 | 34,4 | 18 | F 16 | F 14 | F 25 | 45 | 65 |
| RJOM 900/... | | | | | | | | | | | |
| RWOM 1400/... | 350 | 8 x M 16 | 254 | 80 | 45,4 | 22 | F 25 | F 16 | F 30 | 65 | 90 |
| RJOM 1400/... | | | | | | | | | | | |

SPRING CARTRIDGE DIAMETER (mm)

| | | | | | | | | |
|------------------|-----|-----|-----|-----|-----|-----|-----|-----|
| RWOM 900/.../.. | 209 | 201 | 202 | 203 | 204 | - | - | - |
| RJOM 900/.../.. | | | | | | | | |
| RWOM 1400/.../.. | - | 301 | 302 | 303 | 304 | 305 | 313 | 324 |
| RJOM 1400/.../.. | | | | | | | | |
| DIMENSION "M" | 280 | 345 | 395 | 465 | 510 | 575 | 465 | 510 |

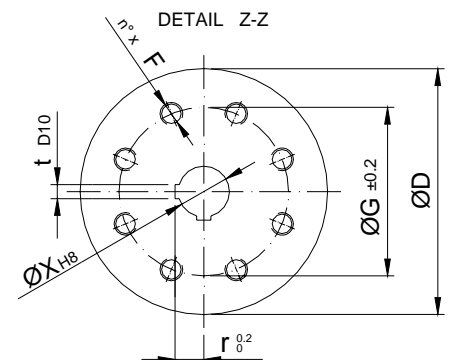
CYLINDER DIAMETER (mm)

| | | | | | | | | |
|------------------|----|-----|-----|-----|-----|-----|-----|-----|
| TYPE OF CYLINDER | 40 | 60 | 80 | 90 | 100 | 110 | 125 | 140 |
| DIMENSION "W" | 80 | 110 | 140 | 170 | 170 | 180 | 210 | 230 |

"H1" - STANDARD INDEX

"H2" - MOUNTING KIT ACCORDING TO VDI-VDE 3845 (ON REQUEST)

"P" - BRACKET ACCORDING TO CUSTOMER REQUIREMENT (ON REQUEST)

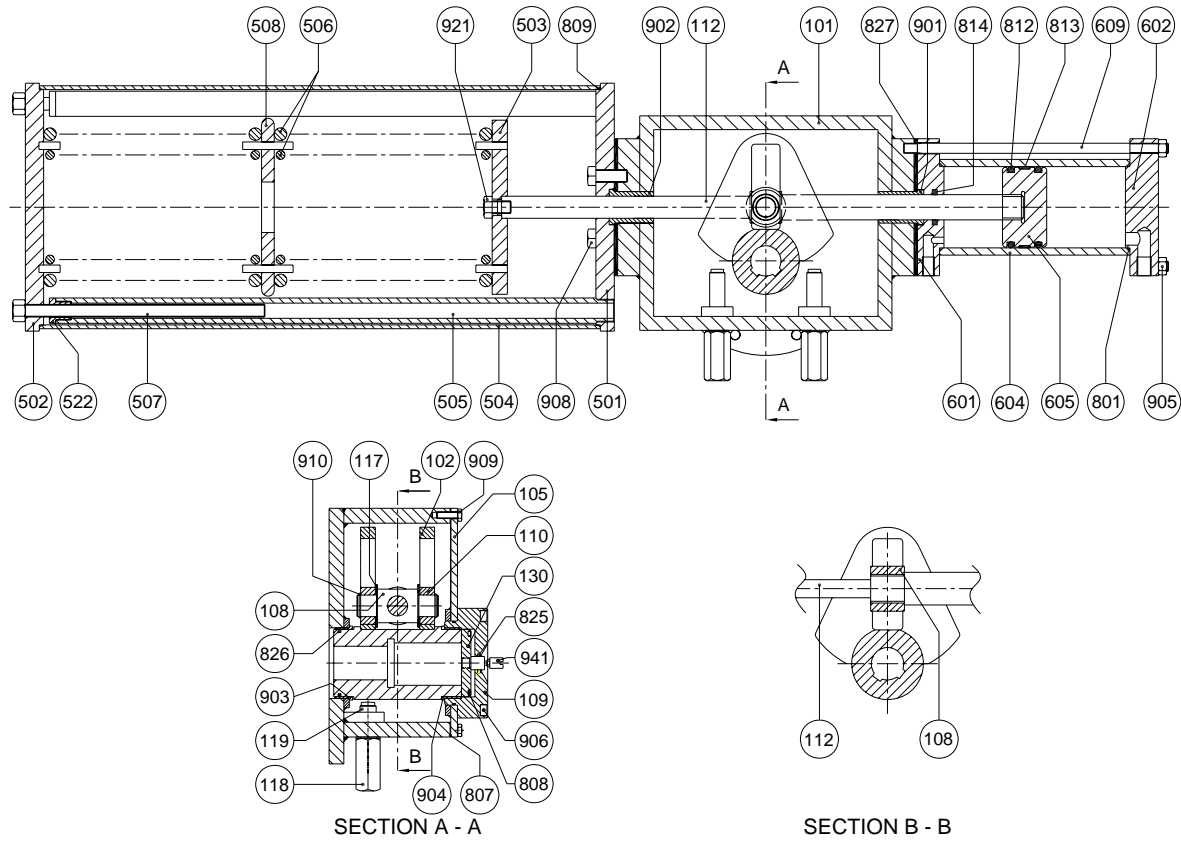


ON REQUEST ISO MALE SPIGOT

HYDRAULIC QUARTER TURN ACTUATOR SCOTCH-YOKE EXECUTION

SINGLE ACTING

TYPE RJOM - RWOM



POS. DESCRIPTION

MATERIAL

| | | | |
|-----|-----------------------------|------------|------------|
| 101 | HOUSING | S 275 JR | EN 10025 |
| 102 | LINK | S 275 JR | EN 10025 |
| 105 | COVER | S 275 JR | EN 10025 |
| 108 | LINK JOINT | C 40 | EN 10083/2 |
| 109 | COVER | S 275 JR | EN 10025 |
| 110 | SLIDING RING | BzAl | EN 1982 |
| 112 | CHROM. SHAFT | 42CrMo4 | EN 10083/1 |
| 117 | WASHER | CW 614 N | EN 12164 |
| 118 | CAP | S 275 JR | EN 10025 |
| 119 | STOP SCREW | 8.8 | EN 898/1 |
| 130 | LINK CAP | S 275 JR | EN 10025 |
| 601 | HEAD | S 275 JR | EN 10025 |
| 602 | HEAD | S 275 JR | EN 10025 |
| 604 | CYLINDER (int. chr. Plated) | E 355 | EN 10297/1 |
| 605 | PISTON | S 275 JR | EN 10025 |
| 609 | STAY BOLT | 42CrMo4 | EN 10269 |
| 501 | INTERNAL FLANGE | S 275 JR | EN 10025 |
| 502 | EXTERNAL FLANGE | S 275 JR | EN 10025 |
| 503 | SPRING DISC | S 275 JR | EN 10025 |
| 504 | TUBE | S 235 JR | EN 10025 |
| 505 | SAFETY TUBE | E 235 SR | EN 10305/1 |
| 506 | SPRING | SPRING ST. | EN 10270 |
| 507 | SAFETY BOLT | 42CrMo4 | EN 10083/1 |

POS. DESCRIPTION

MATERIAL

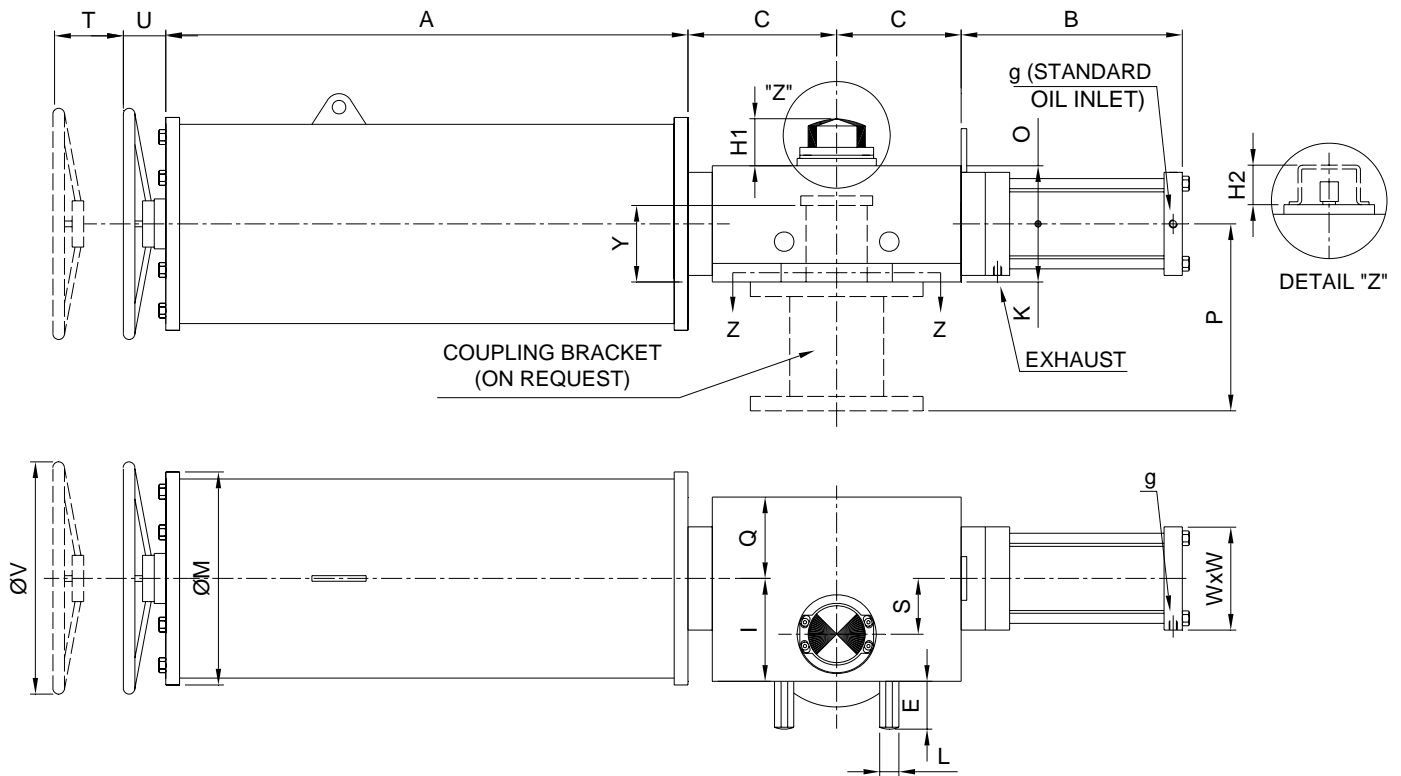
| | | | |
|-------|---------------|---------------------|------------|
| 508 | SPRING DISC | S 275 JR | EN 10025 |
| 522 | SAFETY NUT | CuAlFe3 | EN 1982 |
| • 801 | O-RING | N.B.R. | |
| • 807 | COVER GASKET | N.B.R. | |
| • 808 | O-RING | N.B.R. | |
| • 809 | O-RING | N.B.R. | |
| • 812 | PISTON GASKET | POLYURETHANE | |
| • 813 | PISTON DRIVE | PTFE+GRAPHITE | |
| • 814 | LIP GASKET | POLYURETHANE | |
| • 825 | O-RING | N.B.R. | |
| • 826 | O-RING | N.B.R. | |
| • 827 | GASKET | N.B.R. | |
| 901 | BUSHING | STEEL/BRONZE/TEFLON | |
| 902 | BUSHING | STEEL/BRONZE/TEFLON | |
| 903 | BUSHING | STEEL/BRONZE/TEFLON | |
| 904 | BUSHING | STEEL/BRONZE/TEFLON | |
| 905 | NUT | 6 S | EN 20898/2 |
| 906 | SCREW | 8.8 | EN 898/1 |
| 908 | SCREW | 8.8 | EN 898/1 |
| 909 | SCREW | 8.8 | EN 898/1 |
| 910 | SEEGER | ALLOY STEEL | |
| 921 | SCREW | 8.8 | EN 898/1 |
| 941 | NAMUR PIN | AISI 316 | |

• **STANDARD SPARE PARTS**

HYDRAULIC QUARTER TURN ACTUATOR SCOTCH-YOKE EXECUTION

SINGLE ACTING WITH HANDWHEEL

TYPE RWOMV - RJOMV



ACTUATOR DIMENSIONS (mm)

| | A | B | C | E | H1 | H2 | I | K | L | O | Q | S | T | U | V | Y | g |
|----------------|------|-----|-----|----|----|----|-----|-----|----|-----|-----|-----|-----|-----|-----|-----|-----|
| RWOMV 900/... | 940 | 360 | 240 | 60 | 55 | 45 | 195 | 120 | 36 | 100 | 145 | 85 | 190 | 130 | 500 | 100 | ½ G |
| RJOMV 900/... | | | | | | | | | | | | | | | | | |
| RWOMV 1400/... | 1350 | 400 | 285 | 70 | 55 | 45 | 230 | 125 | 46 | 110 | 165 | 100 | 250 | 130 | 600 | 120 | ½ G |
| RJOMV 1400/... | | | | | | | | | | | | | | | | | |

DRAWING ONLY FOR SPRING TO CLOSE, FOR SPRING TO OPEN DIMENSIONS ARE SYMMETRICAL IN RESPECT TO THE AXIS VALVES

FLANGE DIMENSIONS (mm)

| | D | n° x F | G | X | r | t | ISO | ON REQUEST | | | | | |
|----------------|-----|----------|-----|----|------|----|------|------------|------|------|------|--|--|
| | | | | | | | | MIN. | MAX. | Xmin | Xmax | | |
| RWOMV 900/... | 300 | 4 x M 20 | 165 | 60 | 34,4 | 18 | F 16 | F 14 | F 25 | 45 | 65 | | |
| RJOMV 900/... | | | | | | | | | | | | | |
| RWOMV 1400/... | 350 | 8 x M 16 | 254 | 80 | 45,4 | 22 | F 25 | F 16 | F 30 | 65 | 90 | | |
| RJOMV 1400/... | | | | | | | | | | | | | |

SPRING CARTRIDGE DIAMETER (mm)

| | | | | | | | | |
|--------------------|-----|-----|-----|-----|-----|-----|-----|-----|
| RWOMV 900/.../... | 209 | 201 | 202 | 203 | 204 | - | - | - |
| RJOMV 900/.../... | | | | | | | | |
| RWOMV 1400/.../... | - | 301 | 302 | 303 | 304 | 305 | 313 | 324 |
| RJOMV 1400/.../... | | | | | | | | |
| DIMENSION "M" | 280 | 345 | 395 | 465 | 510 | 575 | 465 | 510 |

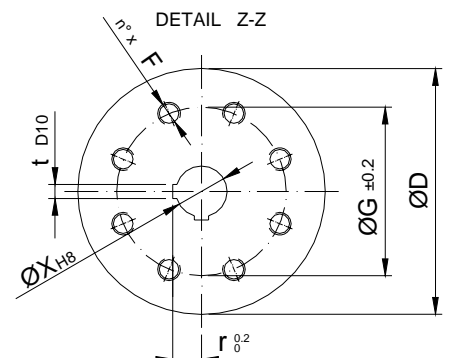
CYLINDER DIAMETER (mm)

| | | | | | | | | |
|------------------|----|-----|-----|-----|-----|-----|-----|-----|
| TYPE OF CYLINDER | 40 | 60 | 80 | 90 | 100 | 110 | 125 | 140 |
| DIMENSION "W" | 80 | 110 | 140 | 170 | 170 | 180 | 210 | 230 |

"H1" - STANDARD INDEX

"H2" - MOUNTING KIT ACCORDING TO VDI-VDE 3845 (ON REQUEST)

"P" - BRACKET ACCORDING TO CUSTOMER REQUIREMENT (ON REQUEST)

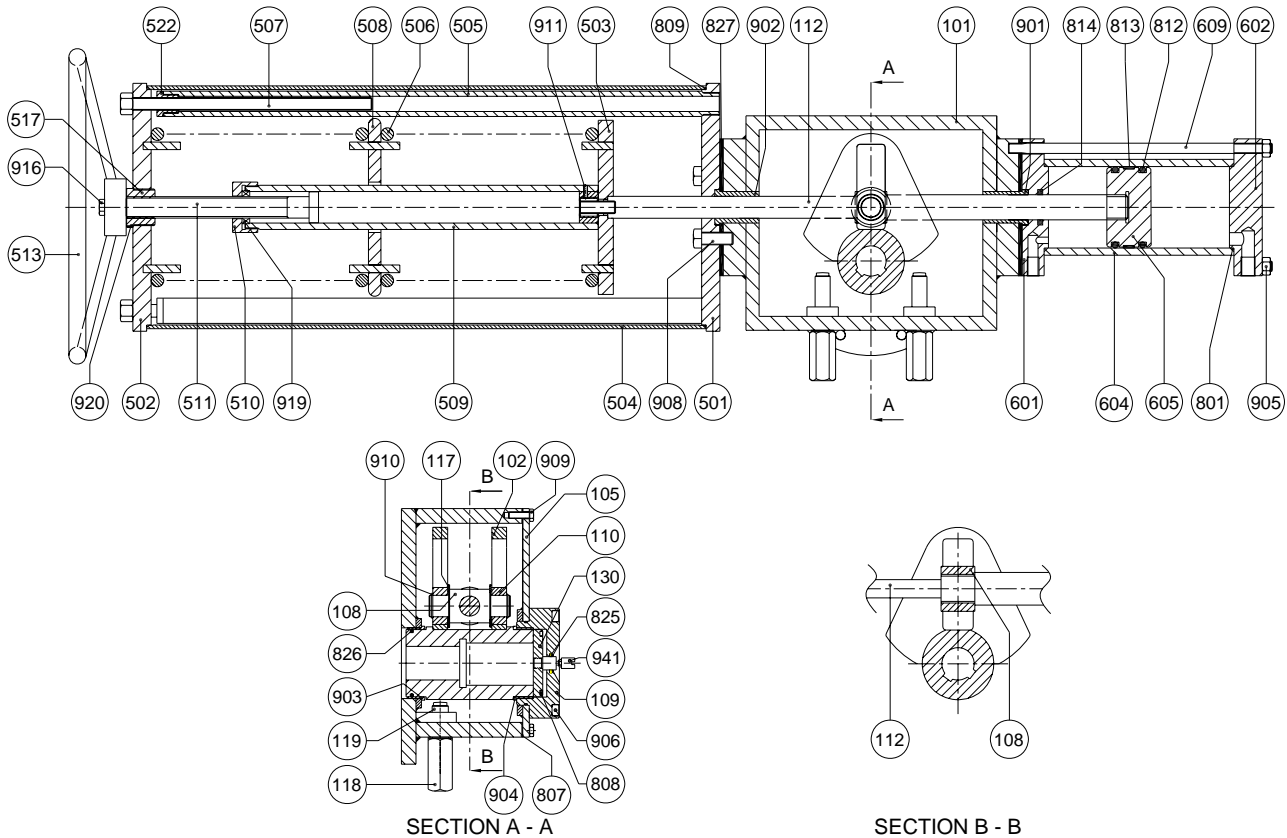


ON REQUEST ISO MALE SPIGOT

HYDRAULIC QUARTER TURN ACTUATOR SCOTCH-YOKE EXECUTION

SINGLE ACTING WITH HANDWHEEL

TYPE RJOMV - RWOMV



POS. DESCRIPTION

MATERIAL

| | | | |
|-----|-----------------------------|---------------|------------|
| 101 | HOUSING | S 275 JR | EN 10025 |
| 102 | LINK | S 275 JR | EN 10025 |
| 105 | COVER | S 275 JR | EN 10025 |
| 108 | LINK JOINT | C 40 | EN 10083/2 |
| 109 | COVER | S 275 JR | EN 10025 |
| 110 | SLIDING RING | BzAl | EN 1982 |
| 112 | CHROM. SHAFT | 42 CrMo4 | EN 10083/1 |
| 117 | WASHER | CW 614 N | EN 12164 |
| 118 | CAP | S 275 JR | EN 10025 |
| 119 | STOP SCREW | 8.8 | EN 898/1 |
| 130 | LINK CAP | S 275 JR | EN 10025 |
| 601 | HEAD | S 275 JR | EN 10025 |
| 602 | HEAD | S 275 JR | EN 10025 |
| 604 | CYLINDER (int. chr. plated) | E 355 | EN 10297/1 |
| 605 | PISTON | S 275 JR | EN 10025 |
| 609 | STAY BOLT | 42CrMo4 | EN 10269 |
| 501 | INTERNAL FLANGE | S 275 JR | EN 10025 |
| 502 | EXTERNAL FLANGE | S 275 JR | EN 10025 |
| 503 | SPRING DISC | S 275 JR | EN 10025 |
| 504 | TUBE | S 235 JR | EN 10025 |
| 505 | SAFETY TUBE | E 235 SR | EN 10305/1 |
| 506 | SPRING | SPRING ST. EN | 10270 |
| 507 | SAFETY BOLT | 42CrMo4 | EN 10083/1 |
| 508 | SPRING DISC | S 275 JR | EN 10025 |
| 509 | TUBE SLEEVE | E 235 SR | EN 10305/1 |
| 510 | RING NUT | C 40 | EN 10083/2 |
| 511 | STEM | X20Cr13 | EN 10088 |

POS. DESCRIPTION

MATERIAL

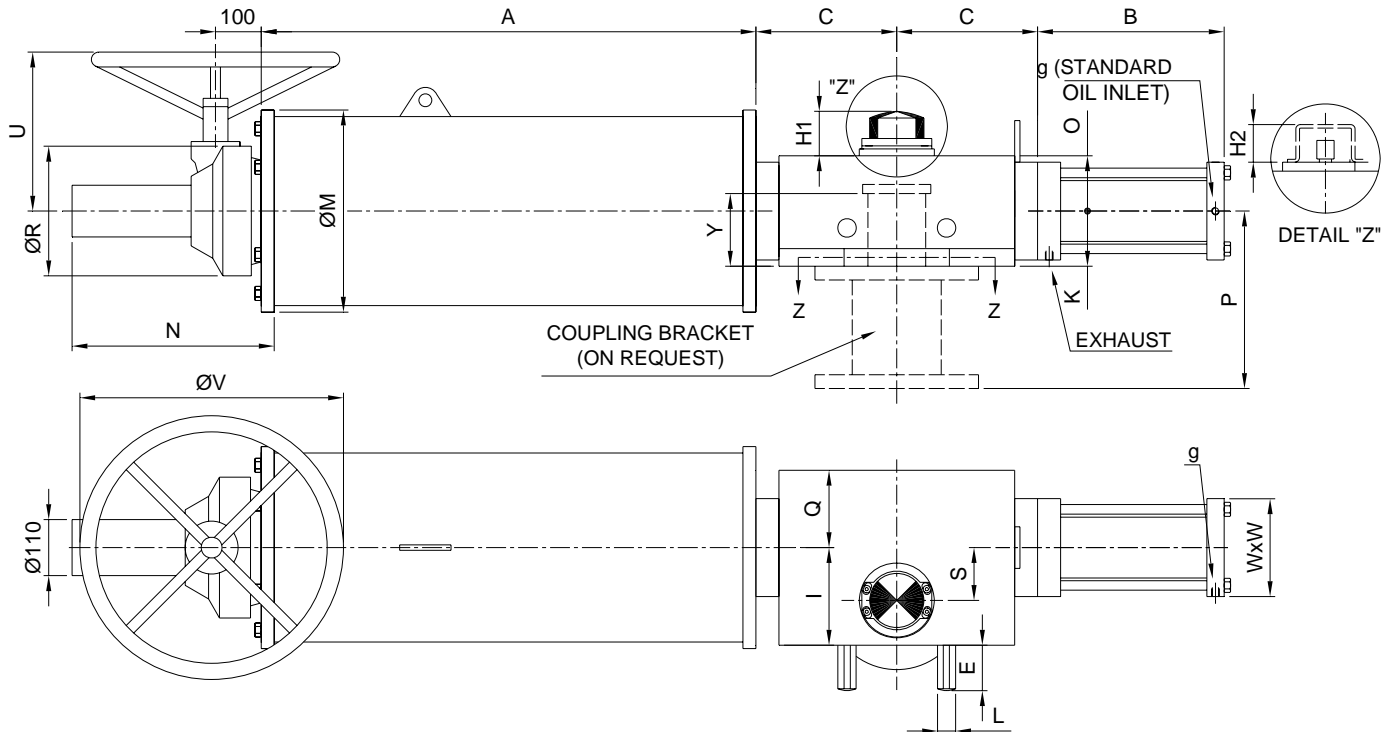
| | | | |
|-------|----------------|---------------------|------------|
| 513 | HANDWHEEL | E 235 SR | EN 10305/1 |
| 517 | DRIVE NUT | BSZN5 | EN 1982 |
| 522 | SAFETY NUT | CuAlFe3 | EN 1982 |
| • 801 | O-RING | N.B.R. | |
| • 807 | COVER GASKET | N.B.R. | |
| • 808 | O-RING | N.B.R. | |
| • 809 | O-RING | N.B.R. | |
| • 812 | PISTON GASKET | POLYURETHANE | |
| • 813 | PISTON DRIVE | PTFE+GRAPHITE | |
| • 814 | LIP GASKET | POLYURETHANE | |
| • 825 | O-RING | N.B.R. | |
| • 826 | O-RING | N.B.R. | |
| • 827 | GASKET | N.B.R. | |
| 901 | BUSHING | STEEL/BRONZE/TEFLON | |
| 902 | BUSHING | STEEL/BRONZE/TEFLON | |
| 903 | BUSHING | STEEL/BRONZE/TEFLON | |
| 904 | BUSHING | STEEL/BRONZE/TEFLON | |
| 905 | NUT | 6S | EN 20898/2 |
| 906 | SCREW | 8.8 | EN 898/1 |
| 908 | SCREW | 8.8 | EN 898/1 |
| 909 | SCREW | 8.8 | EN 898/1 |
| 910 | SEEGER | ALLOY STEEL | |
| 911 | DOWEL | 8.8 | EN 898/1 |
| 916 | SCREW | 8.8 | EN 898/1 |
| 919 | ROLLER BEARING | ALLOY STEEL | |
| 920 | DOWEL | 8.8 | EN 898/1 |
| 941 | NAMUR PIN | AISI 316 | |

• **STANDARD SPARE PARTS**

HYDRAULIC QUARTER TURN ACTUATOR SCOTCH-YOKE EXECUTION

SINGLE ACTING WITH MANUAL GEAR

TYPE RWOMR - RJOMR



ACTUATOR DIMENSIONS (mm)

| | A | B | C | E | H1 | H2 | I | K | L | N | O | Q | R | S | U | V | Y | g |
|----------------|------|-----|-----|----|----|----|-----|-----|----|-----|-----|-----|-----|-----|-----|-----|-----|-----|
| RWOMR 1400/... | 1350 | 400 | 285 | 70 | 55 | 45 | 230 | 125 | 46 | 480 | 110 | 165 | 270 | 100 | 440 | 800 | 120 | ½ G |
| RJOMR 1400/... | | | | | | | | | | | | | | | | | | |

DRAWING ONLY FOR SPRING TO CLOSE, FOR SPRING TO OPEN DIMENSIONS ARE SYMMETRICAL IN RESPECT TO THE AXIS VALVES

FLANGE DIMENSIONS (mm)

| | D | n° x F | G | X | r | t | ISO | ON REQUEST | | | | | |
|----------------|-----|----------|-----|----|------|----|------|------------|------|------|------|--|--|
| | | | | | | | | MIN. | MAX. | Xmin | Xmax | | |
| RWOMR 1400/... | 350 | 8 x M 16 | 254 | 80 | 45,4 | 22 | F 25 | F 16 | F 30 | 65 | 90 | | |
| RJOMR 1400/... | | | | | | | | | | | | | |

SPRING CARTRIDGE DIAMETER (mm)

| | | | | | | | |
|--------------------|-----|-----|-----|-----|-----|-----|-----|
| RWOMR 1400/.../... | 301 | 302 | 303 | 304 | 305 | 313 | 324 |
| RJOMR 1400/.../... | | | | | | | |
| DIMENSION "M" | 345 | 395 | 465 | 510 | 575 | 465 | 510 |

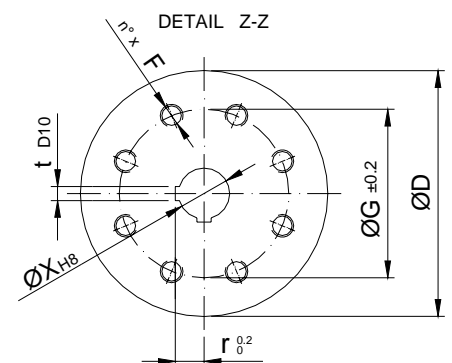
CYLINDER DIAMETER (mm)

| TYPE OF CYLINDER | 40 | 60 | 80 | 90 | 100 | 110 | 125 | 140 |
|------------------|----|-----|-----|-----|-----|-----|-----|-----|
| DIMENSION "W" | 80 | 110 | 140 | 170 | 170 | 180 | 210 | 230 |

"H1" - STANDARD INDEX

"H2" - MOUNTING KIT ACCORDING TO VDI-VDE 3845 (ON REQUEST)

"P" - BRACKET ACCORDING TO CUSTOMER REQUIREMENT (ON REQUEST)

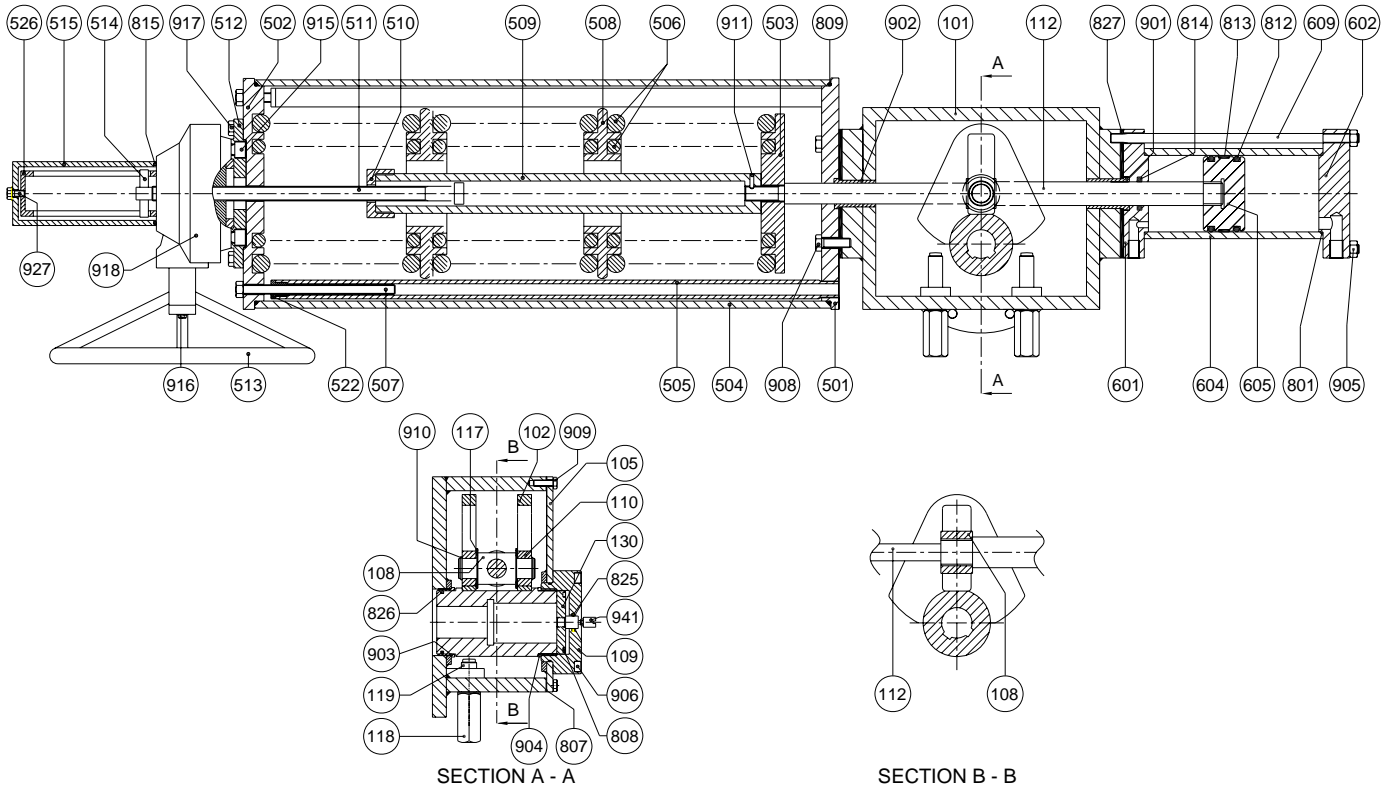


ON REQUEST ISO MALE SPIGOT

HYDRAULIC QUARTER TURN ACTUATOR SCOTCH-YOKE EXECUTION

SINGLE ACTING WITH MANUAL GEAR

TYPE RJOMR - RWOMR



POS. DESCRIPTION

MATERIAL

POS. DESCRIPTION

MATERIAL

| | | | |
|-----|-----------------------------|------------|------------|
| 101 | HOUSING | S 275 JR | EN 10025 |
| 102 | LINK | S 275 JR | EN 10025 |
| 105 | COVER | S 275 JR | EN 10025 |
| 108 | LINK JOINT | C 40 | EN 10083/2 |
| 109 | COVER | S 275 JR | EN 10025 |
| 110 | SLIDING RING | BzAl | EN 1982 |
| 112 | CHROM. SHAFT | 42CrMo4 | EN 10083/1 |
| 117 | WASHER | CW 614 N | EN 12164 |
| 118 | CAP | S 275 JR | EN 10025 |
| 119 | STOP SCREW | 8.8 | EN 898/1 |
| 130 | LINK CAP | S 275 JR | EN 10025 |
| 601 | HEAD | S 275 JR | EN 10025 |
| 602 | HEAD | S 275 JR | EN 10025 |
| 604 | CYLINDER (int. chr. plated) | E 355 | EN 10297/1 |
| 605 | PISTON | S 275 JR | EN 10025 |
| 609 | STAY BOLT | C 40 | EN 10083/2 |
| 501 | INTERNAL FLANGE | S 275 JR | EN 10025 |
| 502 | EXTERNAL FLANGE | S 275 JR | EN 10025 |
| 503 | SPRING DISC | S 275 JR | EN 10025 |
| 504 | TUBE | S 235 JR | EN 10025 |
| 505 | SAFETY TUBE | E 235 SR | EN 10305/1 |
| 506 | SPRING | SPRING ST. | EN 10270 |
| 507 | SAFETY BOLT | 42CrMo4 | EN 10083/1 |
| 508 | SPRING DISC | S 275 JR | EN 10025 |
| 509 | TUBE SLEEVE | E 235 SR | EN 10305/1 |
| 510 | RING NUT | CW 614 N | EN 12164 |
| 511 | STEM | X20Cr13 | EN 10088 |
| 512 | FLANGE | S 275 JR | EN 10025 |
| 513 | HANDWHEEL | E 235 SR | EN 10305/1 |
| 514 | PIN | S 275 JR | EN 10025 |

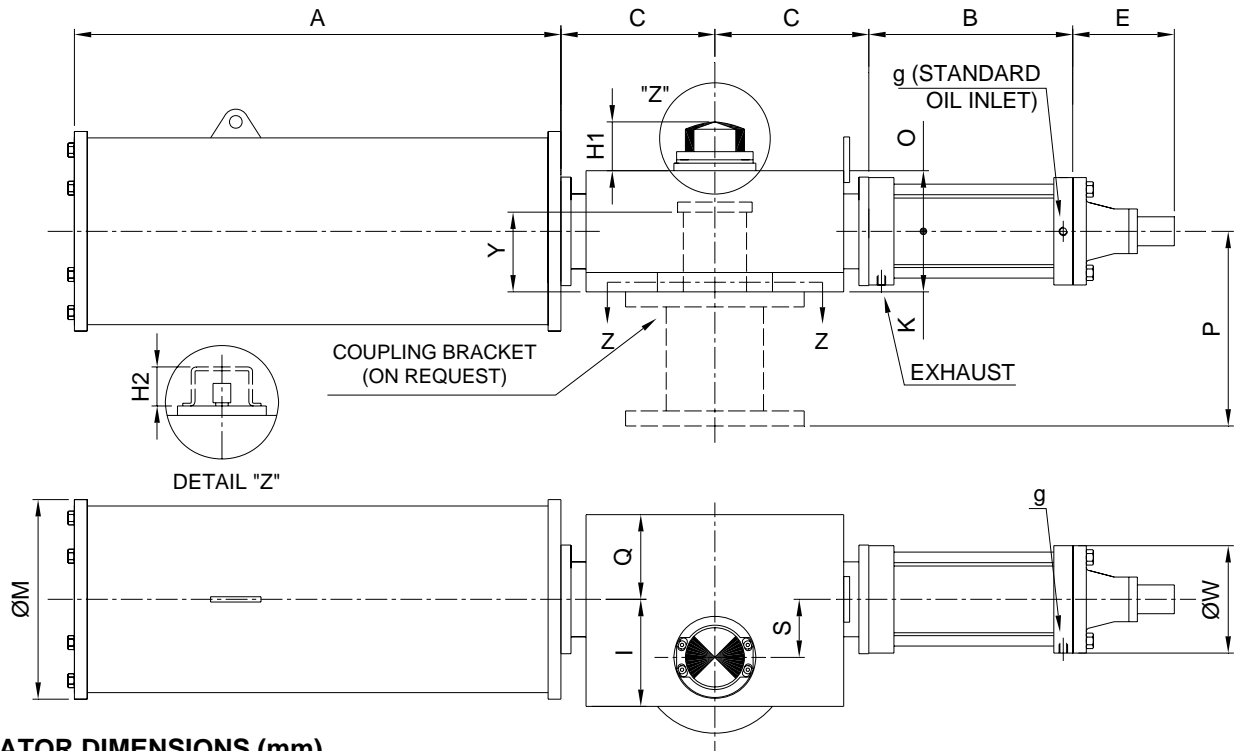
| | | | |
|-------|---------------|---------------------|------------|
| 515 | TUBE | E 235 SR | EN 10305/1 |
| 516 | TUBE | E 235 SR | EN 10305/1 |
| 522 | SAFETY NUT | CuAlFe3 | EN 1982 |
| • 801 | O-RING | N.B.R. | |
| • 807 | COVER GASKET | N.B.R. | |
| • 808 | O-RING | N.B.R. | |
| • 809 | O-RING | N.B.R. | |
| • 812 | PISTON GASKET | POLYURETHANE | |
| • 813 | PISTON SLIDE | PTFE+GRAPHITE | |
| • 814 | LIP GASKET | POLYURETHANE | |
| • 815 | O-RING | N.B.R. | |
| • 825 | O-RING | N.B.R. | |
| • 826 | O-RING | N.B.R. | |
| • 827 | GASKET | N.B.R. | |
| 901 | BUSHING | STEEL/BRONZE/TEFLON | |
| 902 | BUSHING | STEEL/BRONZE/TEFLON | |
| 903 | BUSHING | STEEL/BRONZE/TEFLON | |
| 904 | BUSHING | STEEL/BRONZE/TEFLON | |
| 905 | NUT | 6 S | EN 20898/2 |
| 906 | SCREW | 8.8 | EN 898/1 |
| 908 | SCREW | 8.8 | EN 898/1 |
| 909 | SCREW | 8.8 | EN 898/1 |
| 910 | SEEGER | ALLOY STEEL | |
| 911 | DOWEL | 8.8 | EN 898/1 |
| 915 | SCREW | 8.8 | EN 898/1 |
| 916 | SCREW | 8.8 | EN 898/1 |
| 917 | SCREW | 8.8 | EN 898/1 |
| 918 | REDUCTOR | CAST IRON | EN 1563 |
| 927 | SCREW | 8.8 | EN 898/1 |
| 941 | NAMUR PIN | AISI 316 | |

• STANDARD SPARE PARTS

HYDRAULIC QUARTER TURN ACTUATOR SCOTCH-YOKE EXECUTION

SINGLE ACTING

TYPE RSOM - RCOM



ACTUATOR DIMENSIONS (mm)

| | A | B | C | E | H1 | H2 | I | K | O | Q | S | Y | g |
|---------------|------|-----|-----|-----|----|----|-----|-----|-----|-----|-----|-----|-----|
| RSOM 2500/... | 1400 | 490 | 355 | 190 | 55 | 45 | 240 | 170 | 130 | 180 | 130 | 150 | ½ G |
| RCOM 2500/... | | | | | | | | | | | | | |
| RSOM 4500/... | 1810 | 610 | 465 | 220 | 55 | 45 | 295 | 155 | 155 | 255 | 170 | 170 | ½ G |
| RCOM 4500/... | | | | | | | | | | | | | |
| RSOM 7500/... | 1950 | 740 | 610 | 300 | 55 | 45 | 385 | 135 | 185 | 325 | 225 | 220 | ¾ G |
| RCOM 7500/... | | | | | | | | | | | | | |

DRAWING ONLY FOR SPRING TO CLOSE, FOR SPRING TO OPEN DIMENSIONS ARE SYMMETRICAL IN RESPECT TO THE AXIS VALVES

FLANGE DIMENSIONS (mm)

| | D | n° x F | G | X | r | t | ISO | ON REQUEST | | | |
|---------------|-----|----------|-----|-----|------|----|------|------------|------|------|------|
| | | | | | | | | MIN. | MAX. | Xmin | Xmax |
| RSOM 2500/... | 415 | 8 x M 20 | 298 | 90 | 50,4 | 25 | F 30 | F 25 | F 35 | 65 | 100 |
| RCOM 2500/... | | | | | | | | | | | |
| RSOM 4500/... | 475 | 8 x M 30 | 356 | 120 | 67,4 | 32 | F 35 | F 30 | F 40 | 90 | 130 |
| RCOM 4500/... | | | | | | | | | | | |
| RSOM 7500/... | 560 | 8 x M 36 | 406 | 150 | 83,4 | 36 | F 40 | F 35 | F 48 | 145 | 160 |
| RCOM 7500/... | | | | | | | | | | | |

SPRING CARTRIDGE DIAMETER (mm)

| | | | | | | | | | |
|------------------|-----|-----|-----|-----|-----|-----|-----|-----|---------|
| RSOM 2500/.../.. | 302 | 303 | 304 | 305 | 313 | 324 | 315 | 325 | 40X (1) |
| RCOM 2500/.../.. | | | | | | | | | |
| RSOM 4500/.../.. | | | 404 | 405 | 413 | 424 | 415 | 425 | 40X (1) |
| RCOM 4500/.../.. | | | | | | | | | |
| RSOM 7500/.../.. | | | 404 | 405 | 413 | 424 | 415 | 425 | 40X (1) |
| RCOM 7500/.../.. | | | | | | | | | |
| DIMENSION "M" | 395 | 465 | 510 | 575 | 465 | 510 | 575 | 575 | (1) |

X (1) SPECIAL EXECUTION AND DIMENSIONS

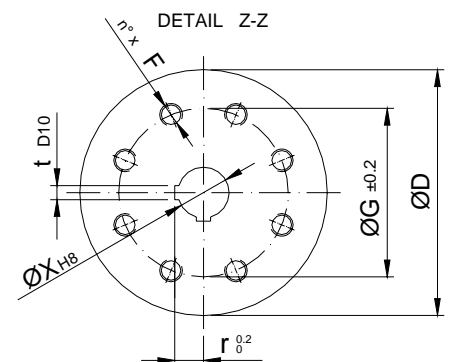
CYLINDER DIAMETER (mm)

| | | | | | | | | | | |
|------------------|-----|-----|-----|-----|-----|-----|-----|-----|-----|-----|
| TYPE OF CYLINDER | 80 | 90 | 100 | 110 | 125 | 140 | 160 | 180 | 200 | 220 |
| DIMENSION "W" | 140 | 170 | 170 | 190 | 210 | 230 | 230 | 300 | 320 | 340 |

"H1" - STANDARD INDEX

"H2" - MOUNTING KIT ACCORDING TO VDI-VDE 3845 (ON REQUEST)

"P" - BRACKET ACCORDING TO CUSTOMER REQUIREMENT (ON REQUEST)

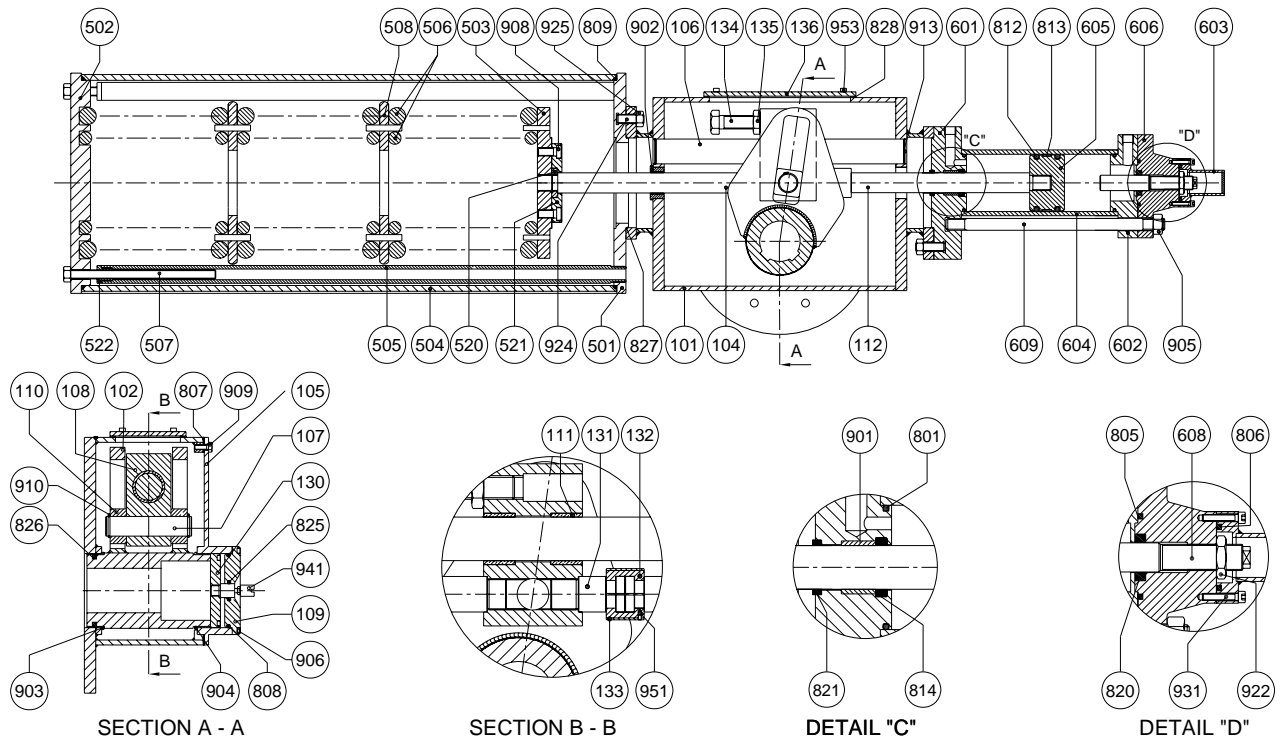


ON REQUEST ISO MALE SPIGOT

HYDRAULIC QUARTER TURN ACTUATOR SCOTCH-YOKE EXECUTION

SINGLE ACTING

TYPE RSOM - RCOM



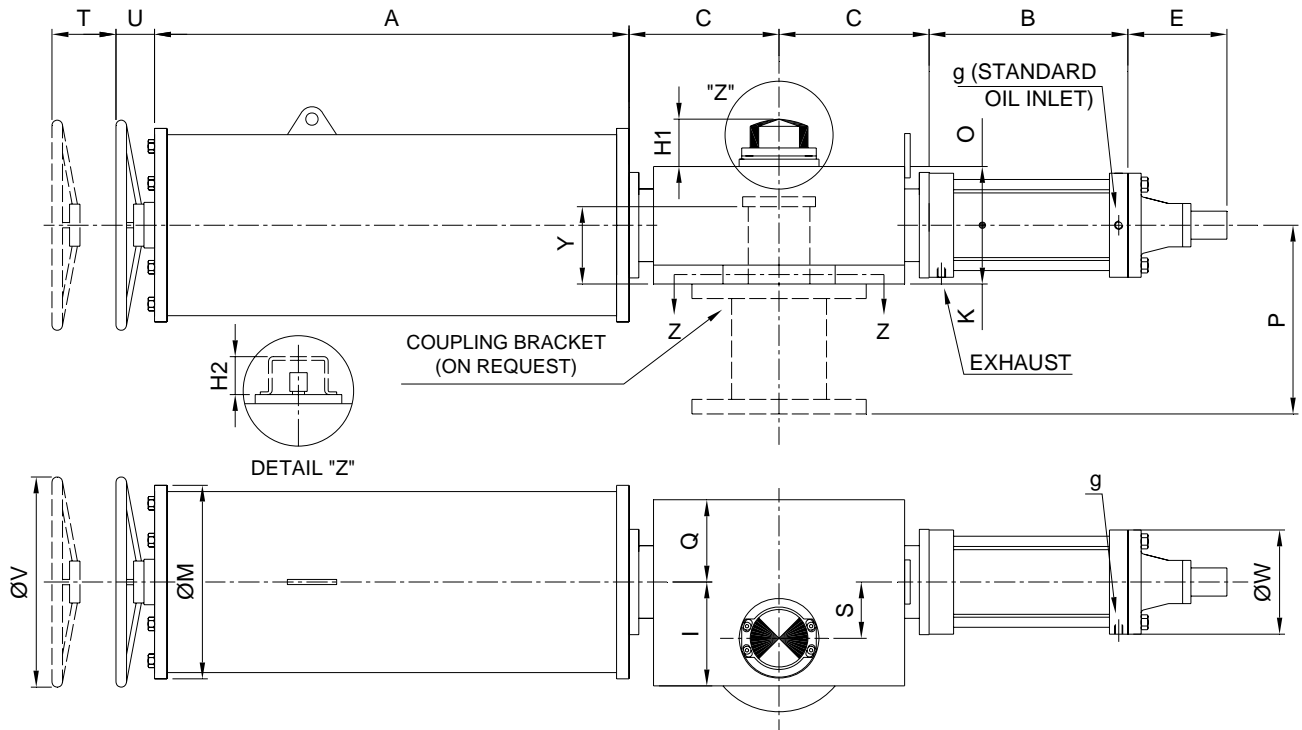
| POS. | DESCRIPTION | MATERIAL | POS. | DESCRIPTION | MATERIAL |
|------|-----------------------------|---------------------|-------|---------------|---------------------|
| 101 | HOUSING | S 275 JR EN 10025 | 521 | SPRING FLANGE | 42 CrMo4 EN 10083/1 |
| 102 | LINK | S 275 JR EN 10025 | 522 | SAFETY NUT | CuAlFe3 EN 1982 |
| 104 | CHROM. SHAFT | 42 CrMo4 EN 10083/1 | ● 801 | O-RING | N.B.R. |
| 105 | COVER | S 275 JR EN 10025 | ● 805 | O-RING | N.B.R. |
| 106 | CHROM. SHAFT | 42CrMo4 EN 10083/1 | ● 806 | O-RING | N.B.R. |
| 107 | PIN | 42CrMo4 EN 10083/1 | ● 807 | COVER GASKET | N.B.R. |
| 108 | LINK JOINT | S 275 JR EN 10025 | ● 808 | O-RING | N.B.R. |
| 109 | COVER | S 275 JR EN 10025 | ● 809 | O-RING | N.B.R. |
| 110 | SLIDING RING | BzAl EN 1982 | ● 812 | O-RING | N.B.R. |
| 111 | BUSHING | STEEL/BRONZE/TEFLON | ● 813 | PISTON DRIVE | PTFE+GRAPHITE |
| 112 | CHROM. SHAFT | 42 CrMo4 EN 10083/1 | ● 814 | LIP GASKET | POLYURETHANE |
| 130 | LINK CAP | S 275 JR EN 10025 | ● 820 | GASKET | N.B.R. |
| 131 | INTERMEDIATE SHAFT | 42CrMo4 EN 10083/1 | ● 821 | WIPER RING | N.B.R. |
| 132 | LINK | 42CrMo4 EN 10083/1 | ● 825 | O-RING | N.B.R. |
| 133 | TUBE | E 235 SR EN 10305/1 | ● 826 | O-RING | N.B.R. |
| 134 | STOP SCREW | 8.8 EN 898/1 | ● 827 | O-RING | N.B.R. |
| 135 | BLOCK NUT | 6 S EN 20898/2 | ● 828 | GASKET | N.B.R. |
| 136 | COVER | S 275 JR EN 10025 | 901 | BUSHING | STEEL/BRONZE/TEFLON |
| 601 | HEAD | S 275 JR EN 10025 | 902 | BUSHING | STEEL/BRONZE/TEFLON |
| 602 | HEAD | S 275 JR EN 10025 | 903 | BUSHING | STEEL/BRONZE/TEFLON |
| 603 | CAP | S 275 JR EN 10025 | 904 | BUSHING | STEEL/BRONZE/TEFLON |
| 604 | CYLINDER (int. chr. plated) | E 355 EN 10297/1 | 905 | NUT | 6 S EN 20898/2 |
| 605 | PISTON | S 275 JR EN 10025 | 906 | SCREW | 8.8 EN 898/1 |
| 606 | FLANGE | S 275 JR EN 10025 | 908 | SCREW | 8.8 EN 898/1 |
| 608 | STOP SCREW | C 40 EN 10083/2 | 909 | SCREW | 8.8 EN 898/1 |
| 609 | STAY BOLT | C 40 EN 10083/2 | 910 | SEEGER | ALLOY STEEL |
| 501 | INTERNAL FLANGE | S 275 JR EN 10025 | 913 | SEEGER | ALLOY STEEL |
| 502 | EXTERNAL FLANGE | S 275 JR EN 10025 | 922 | BLOCK NUT | 6 S EN 20898/2 |
| 503 | SPRING DISC | S 275 JR EN 10025 | 924 | PIN | 8.8 EN 898/1 |
| 504 | TUBE | S 235 JR EN 10025 | 925 | NUT | 6 S EN 20898/2 |
| 505 | SAFETY TUBE | E 235 SR EN 10305/1 | 931 | SCREW | 8.8 EN 898/1 |
| 506 | SPRING | SPRING ST. EN 10270 | 941 | NAMUR PIN | AISI 316 |
| 507 | SAFETY BOLT | 42CrMo4 EN 10083/1 | 951 | DOWEL | 8.8 EN 898/1 |
| 508 | SPRING DISC | S 275 JR EN 10025 | 953 | SCREW | 8.8 EN 898/1 |
| 520 | RING NUT | 42 CrMo4 EN 10083/1 | | | |

● STANDARD SPARE PARTS

HYDRAULIC QUARTER TURN ACTUATOR SCOTCH-YOKE EXECUTION

SINGLE ACTING WITH HANDWHEEL

TYPE **RSOMV - RCOMV**



ACTUATOR DIMENSIONS (mm)

| | A | B | C | E | H1 | H2 | I | K | O | Q | S | T | U | V | Y | g |
|----------------|------|-----|-----|-----|----|----|-----|-----|-----|-----|-----|-----|-----|-----|-----|-----|
| RSOMV 2500/... | 1400 | 490 | 355 | 190 | 55 | 45 | 240 | 170 | 130 | 180 | 130 | 300 | 150 | 800 | 150 | ½ G |
| RCOMV 2500/... | | | | | | | | | | | | | | | | |

DRAWING ONLY FOR SPRING TO CLOSE, FOR SPRING TO OPEN DIMENSIONS ARE SYMMETRICAL IN RESPECT TO THE AXIS VALVES

FLANGE DIMENSIONS (mm)

| | D | n° x F | G | X | r | t | ISO | ON REQUEST | | | | | |
|----------------|-----|----------|-----|----|------|----|------|------------|------|------|------|--|--|
| | | | | | | | | MIN. | MAX. | Xmin | Xmax | | |
| RSOMV 2500/... | 415 | 8 x M 20 | 298 | 90 | 50,4 | 25 | F 30 | F 25 | F 35 | 65 | 100 | | |
| RCOMV 2500/... | | | | | | | | | | | | | |

SPRING CARTRIDGE DIAMETER (mm)

| | | |
|-------------------|-----|-----|
| RSOMV 2500/.../.. | 301 | 302 |
| RCOMV 2500/.../.. | | |
| DIMENSION "M" | 345 | 395 |

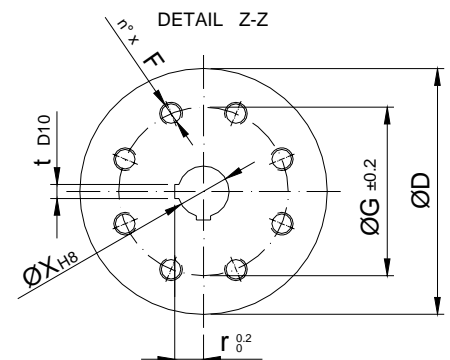
CYLINDER DIAMETER (mm)

| TYPE OF CYLINDER | 80 | 90 | 100 | 110 | 125 | 140 | 160 | 180 | 200 | 220 |
|------------------|-----|-----|-----|-----|-----|-----|-----|-----|-----|-----|
| DIMENSION "W" | 140 | 170 | 170 | 190 | 210 | 230 | 230 | 300 | 320 | 340 |

"H1" - STANDARD INDEX

"H2" - MOUNTING KIT ACCORDING TO VDI-VDE 3845 (ON REQUEST)

"P" - BRACKET ACCORDING TO CUSTOMER REQUIREMENT (ON REQUEST)

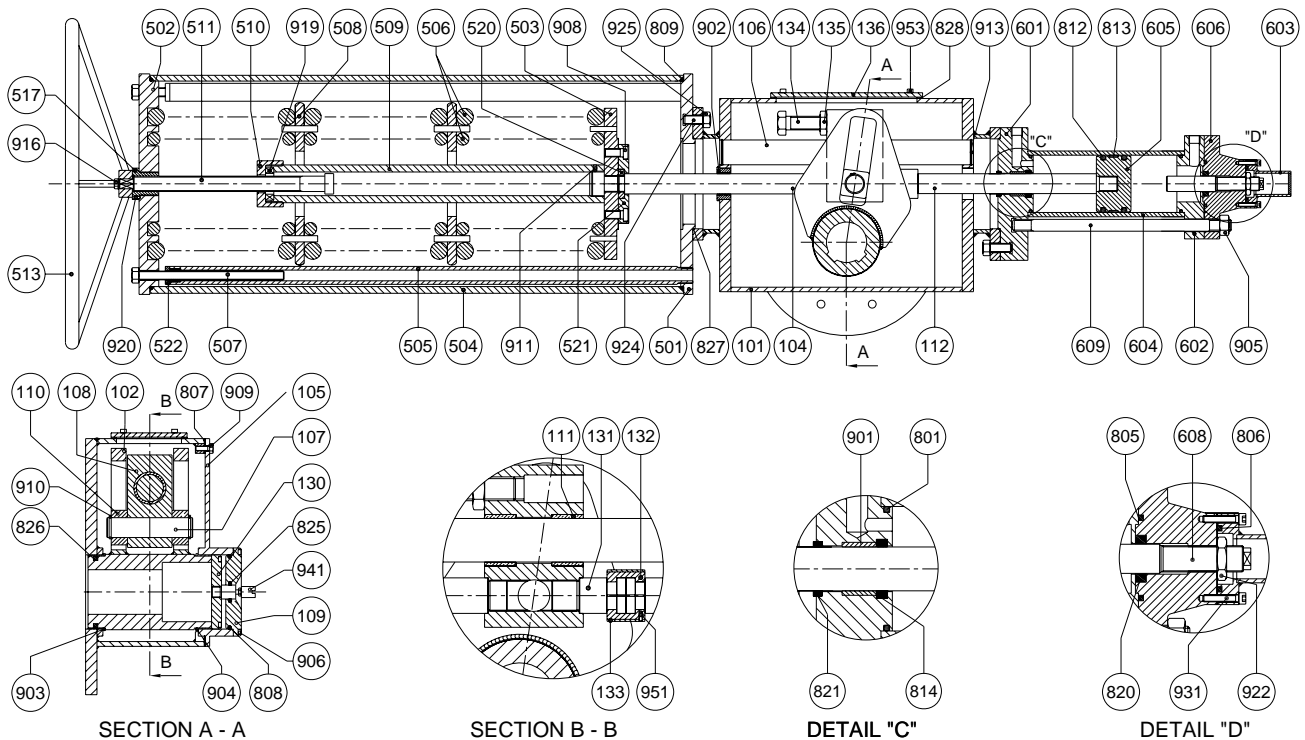


ON REQUEST ISO MALE SPIGOT

HYDRAULIC QUARTER TURN ACTUATOR SCOTCH-YOKE EXECUTION

SINGLE ACTING WITH HANDWHEEL

TYPE RSOMV - RCOMV



POS. DESCRIPTION

MATERIAL

| | | | |
|-----|-----------------------------|---------------------|------------|
| 101 | HOUSING | S 275 JR | EN 10025 |
| 102 | LINK | S 275 JR | EN 10025 |
| 104 | CHROM. SHAFT | 42 CrMo4 | EN 10083/1 |
| 105 | COVER | S 275 JR | EN 10025 |
| 106 | CHROM. SHAFT | 42CrMo4 | EN 10083/1 |
| 107 | PIN | 42CrMo4 | EN 10083/1 |
| 108 | LINK JOINT | S 275 JR | EN 10025 |
| 109 | COVER | S 275 JR | EN 10025 |
| 110 | SLIDING RING | BzAl | EN 1982 |
| 111 | BUSHING | STEEL/BRONZE/TEFLON | |
| 112 | CHROM. SHAFT | 42CrMo4 | EN 10083/1 |
| 130 | LINK CAP | S 275 JR | EN 10025 |
| 131 | INTERMEDIATE SHAFT | 42CrMo4 | EN 10083/1 |
| 132 | LINK | 42CrMo4 | EN 10083/1 |
| 133 | TUBE | E 235 SR | EN 10305/1 |
| 134 | STOP SCREW | 8.8 | EN 898/1 |
| 135 | BLOCK NUT | 6 S | EN 20898/2 |
| 136 | COVER | S 275 JR | EN 10025 |
| 601 | HEAD | S 275 JR | EN 10025 |
| 602 | HEAD | S 275 JR | EN 10025 |
| 603 | CAP | S 275 JR | EN 10025 |
| 604 | CYLINDER (int. chr. plated) | E 355 | EN 10297/1 |
| 605 | PISTON | S 275 JR | EN 10025 |
| 606 | FLANGE | S 275 JR | EN 10025 |
| 608 | STOP SCREW | C 40 | EN 10083/2 |
| 609 | STAY BOLT | C 40 | EN 10083/2 |
| 501 | INTERNAL FLANGE | S 275 JR | EN 10025 |
| 502 | EXTERNAL FLANGE | S 275 JR | EN 10025 |
| 503 | SPRING DISC | S 275 JR | EN 10025 |
| 504 | TUBE | S 235 JR | EN 10025 |
| 505 | SAFETY TUBE | E 235 SR | EN 10305/1 |
| 506 | SPRING | SPRING ST. | EN 10270 |
| 507 | SAFETY BOLT | 42CrMo4 | EN 10083/1 |
| 508 | SPRING DISC | S 275 JR | EN 10025 |
| 509 | TUBE SLEEVE | E 235 SR | EN 10305/1 |
| 510 | RING NUT | C 40 | EN 10305/1 |
| 511 | STEM | X20Cr13 | EN 10088 |
| 513 | HANDWHEEL | E 235 SR | EN 10305/1 |
| 517 | DRIVE NUT | BSZN5 | EN 1982 |

POS. DESCRIPTION

MATERIAL

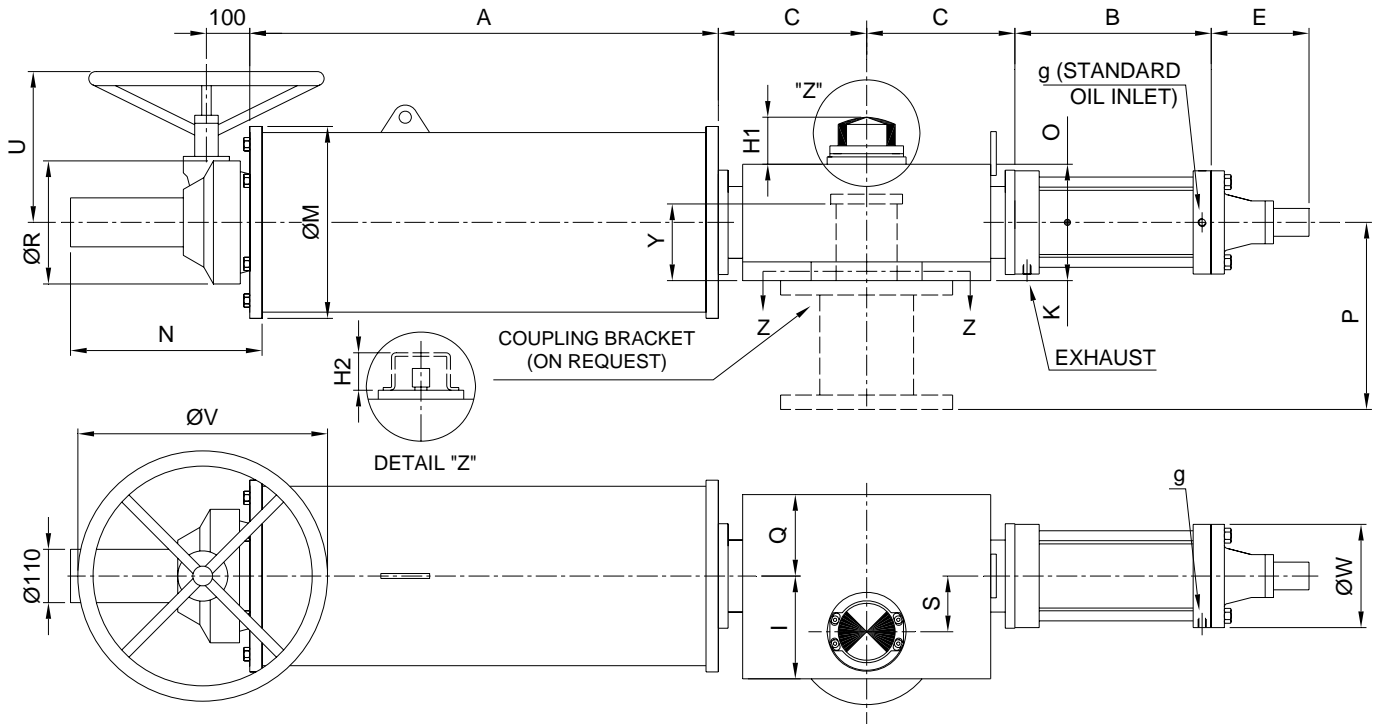
| | | | |
|-------|----------------|---------------------|------------|
| 520 | RING NUT | 42 CrMo4 | EN 10083/1 |
| 521 | SPRING FLANGE | 42 CrMo4 | EN 10083/1 |
| 522 | SAFETY NUT | CuAlFe3 | EN 1982 |
| ● 801 | O-RING | N.B.R. | |
| ● 805 | O-RING | N.B.R. | |
| ● 806 | O-RING | N.B.R. | |
| ● 807 | COVER GASKET | N.B.R. | |
| ● 808 | O-RING | N.B.R. | |
| ● 809 | O-RING | N.B.R. | |
| ● 812 | O-RING | N.B.R. | |
| ● 813 | PISTON DRIVE | PTFE+GRAPHITE | |
| ● 814 | LIP GASKET | POLYURETHANE | |
| ● 820 | GASKET | N.B.R. | |
| ● 821 | WIPER RING | N.B.R. | |
| ● 825 | O-RING | N.B.R. | |
| ● 826 | O-RING | N.B.R. | |
| ● 827 | O-RING | N.B.R. | |
| ● 828 | O-RING | N.B.R. | |
| 901 | BUSHING | STEEL/BRONZE/TEFLON | |
| 902 | BUSHING | STEEL/BRONZE/TEFLON | |
| 903 | BUSHING | STEEL/BRONZE/TEFLON | |
| 904 | BUSHING | STEEL/BRONZE/TEFLON | |
| 905 | NUT | 6 S | EN 20898/2 |
| 906 | SCREW | 8.8 | EN 898/1 |
| 908 | SCREW | 8.8 | EN 898/1 |
| 909 | SCREW | 8.8 | EN 898/1 |
| 910 | SEGER | ALLOY STEEL | |
| 911 | DOWEL | 8.8 | EN 898/1 |
| 913 | SEGER | ALLOY STEEL | |
| 916 | SCREW | 8.8 | EN 898/1 |
| 919 | ROLLER BEARING | ALLOY STEEL | |
| 920 | DOWEL | 8.8 | EN 898/1 |
| 922 | BLOCK NUT | 6 S | EN 20898/2 |
| 924 | PIN | 8.8 | EN 898/1 |
| 925 | NUT | 6 S | EN 20898/2 |
| 931 | SCREW | 8.8 | EN 898/1 |
| 941 | NAMUR PIN | AISI 316 | |
| 951 | DOWEL | 8.8 | EN 898/1 |
| 953 | SCREW | 8.8 | EN 898/1 |

● STANDARD SPARE PARTS

HYDRAULIC QUARTER TURN ACTUATOR SCOTCH-YOKE EXECUTION

SINGLE ACTING WITH MANUAL GEAR

TYPE RSOMR - RCOMR



ACTUATOR DIMENSIONS (mm)

| | A | B | C | E | H1 | H2 | I | K | N | O | Q | R | S | U | V | Y | g |
|----------------|------|-----|-----|-----|----|----|-----|-----|-----|-----|-----|-----|-----|-----|-----|-----|-----|
| RSOMR 2500/... | 1400 | 490 | 355 | 190 | 55 | 55 | 240 | 170 | 580 | 130 | 180 | 270 | 130 | 510 | 800 | 150 | ½ G |
| RCOMR 2500/... | | | | | | | | | | | | | | | | | |
| RSOMR 4500/... | 1810 | 610 | 465 | 220 | 55 | 55 | 295 | 155 | 670 | 155 | 255 | 270 | 170 | 510 | 800 | 170 | ½ G |
| RCOMR 4500/... | | | | | | | | | | | | | | | | | |

DRAWING ONLY FOR SPRING TO CLOSE, FOR SPRING TO OPEN DIMENSIONS ARE SYMMETRICAL IN RESPECT TO THE AXIS VALVES

FLANGE DIMENSIONS (mm)

| | D | n° x F | G | X | r | t | ISO | ON REQUEST | | | |
|----------------|-----|----------|-----|-----|------|----|------|------------|------|------|------|
| | | | | | | | | MIN. | MAX. | Xmin | Xmax |
| RSOMR 2500/... | 415 | 8 x M 20 | 298 | 90 | 50,4 | 25 | F 30 | F 25 | F 35 | 65 | 100 |
| RCOMR 2500/... | | | | | | | | | | | |
| RSOMR 4500/... | 475 | 8 x M 30 | 356 | 120 | 67,4 | 32 | F 35 | F 30 | F 40 | 90 | 130 |
| RCOMR 4500/... | | | | | | | | | | | |

SPRING CARTRIDGE DIAMETER (mm)

| | | | | | | | | | |
|--------------------|-----|-----|-----|-----|-----|-----|-----|-----|---------|
| RSOMR 2500/.../... | 302 | 303 | 304 | 305 | 313 | 324 | 315 | 325 | 40X (1) |
| RCOMR 2500/.../... | | | | | | | | | |
| RSOMR 4500/.../... | | | 404 | 405 | 413 | 424 | 415 | 425 | 40X (1) |
| RCOMR 4500/.../... | | | | | | | | | |
| QUOTE "M" (mm) | 395 | 465 | 510 | 575 | 465 | 510 | 575 | 575 | (1) |

X (1) SPECIAL EXECUTION AND DIMENSIONS

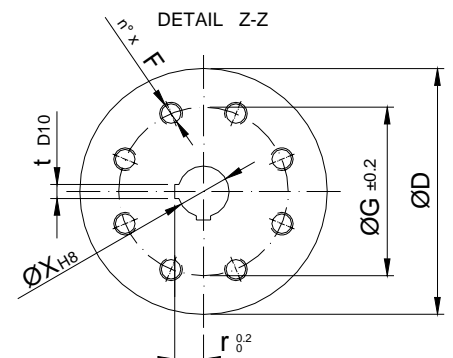
CYLINDER DIAMETER (mm)

| TYPE OF CYLINDER | 80 | 90 | 100 | 110 | 125 | 140 | 160 | 180 | 200 | 220 |
|------------------|-----|-----|-----|-----|-----|-----|-----|-----|-----|-----|
| DIMENSION "W" | 140 | 170 | 170 | 190 | 210 | 230 | 230 | 300 | 320 | 340 |

"H1" - STANDARD INDEX

"H2" - MOUNTING KIT ACCORDING TO VDI-VDE 3845 (ON REQUEST)

"P" - BRACKET ACCORDING TO CUSTOMER REQUIREMENT (ON REQUEST)

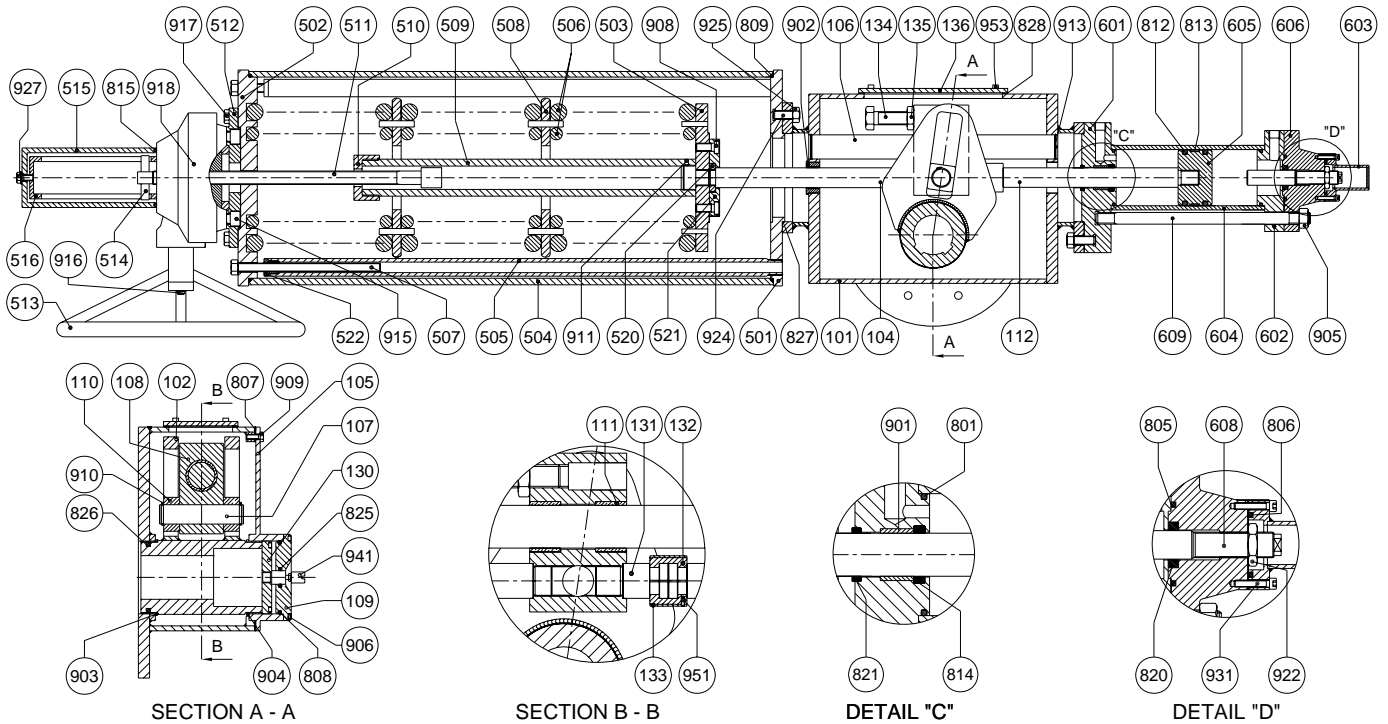


ON REQUEST ISO MALE SPIGOT

HYDRAULIC QUARTER TURN ACTUATOR SCOTCH-YOKE EXECUTION

SINGLE ACTING WITH MANUAL GEAR

TYPE RSOMR - RCOMR



| POS. | DESCRIPTION | MATERIAL | POS. | DESCRIPTION | MATERIAL |
|------|-----------------------------|---------------------|-------|-----------------|---------------------|
| 101 | HOUSING | S 275 JR EN 10025 | 520 | RING NUT | 42 CrMo4 EN 10083/1 |
| 102 | LINK | S 275 JR EN 10025 | 521 | SPRING FLANGE | 42 CrMo4 EN 10083/1 |
| 104 | CHROM. SHAFT | 42CrMo4 EN 10083/1 | 522 | SAFETY NUT | CuAlFe3 EN 1982 |
| 105 | COVER | S 275 JR EN 10025 | ● 801 | O-RING | N.B.R. |
| 106 | CHROM. SHAFT | 42CrMo4 EN 10083/1 | ● 805 | O-RING | N.B.R. |
| 107 | PIN | 42CrMo4 EN 10083/1 | ● 806 | O-RING | N.B.R. |
| 108 | LINK JOINT | S 275 JR EN 10025 | ● 807 | COVER GASKET | N.B.R. |
| 109 | COVER | S 275 JR EN 10025 | ● 808 | O-RING | N.B.R. |
| 110 | SLIDING RING | BzAl EN 1982 | ● 809 | O-RING | N.B.R. |
| 111 | BUSHING | STEEL/BRONZE/TEFLON | ● 812 | O-RING | N.B.R. |
| 112 | CHROM. SHAFT | 42CrMo4 EN 10083/1 | ● 813 | PISTON DRIVE | PTFE+GRAPHITE |
| 130 | LINK CAP | S 275 JR EN 10025 | ● 814 | LIP GASKET | POLYURETHANE |
| 131 | INTERMEDIATE SHAFT | 42CrMo4 EN 10083/1 | ● 815 | O-RING | N.B.R. |
| 132 | LINK | 42CrMo4 EN 10083/1 | ● 820 | GASKET | N.B.R. |
| 133 | TUBE | E 235 SR EN 10305/1 | ● 821 | WIPER RING | N.B.R. |
| 134 | STOP SCREW | 8.8 EN 898/1 | ● 825 | O-RING | N.B.R. |
| 135 | BLOCK NUT | 6 S EN 20898/2 | ● 826 | O-RING | N.B.R. |
| 136 | COVER | S 275 JR EN 10025 | ● 827 | O-RING | N.B.R. |
| 601 | HEAD | S 275 JR EN 10025 | ● 828 | GASKET | N.B.R. |
| 602 | HEAD | S 275 JR EN 10025 | 901 | BUSHING | STEEL/BRONZE/TEFLON |
| 603 | CAP | S 275 JR EN 10025 | 902 | BUSHING | STEEL/BRONZE/TEFLON |
| 604 | CYLINDER (int. chr. plated) | E 355 EN 10297/1 | 903 | BUSHING | STEEL/BRONZE/TEFLON |
| 605 | PISTON | S 275 JR EN 10025 | 904 | BUSHING | STEEL/BRONZE/TEFLON |
| 606 | FLANGE | S 275 JR EN 10025 | 905 | NUT | 6 S EN 20898/2 |
| 608 | STOP SCREW | C 40 EN 10083/2 | 906 | SCREW | 8.8 EN 898/1 |
| 609 | STAY BOLT | C 40 EN 10083/2 | 908 | SCREW | 8.8 EN 898/1 |
| 501 | INTERNAL FLANGE | S 275 JR EN 10025 | 909 | SCREW | 8.8 EN 898/1 |
| 502 | EXTERNAL FLANGE | S 275 JR EN 10025 | 910 | SEEGER | ALLOY STEEL |
| 503 | SPRING DISC | S 275 JR EN 10025 | 911 | DOWEL | 8.8 EN 898/1 |
| 504 | TUBE | S 275 JR EN 10025 | 913 | SEEGER | ALLOY STEEL |
| 505 | SAFETY TUBE | E 235 SR EN 10305/1 | 915 | SCREW | 8.8 EN 898/1 |
| 506 | SPRING | SPRING ST. EN 10270 | 916 | SCREW | 8.8 EN 898/1 |
| 507 | SAFETY BOLT | 42CrMo4 EN 10083/1 | 917 | SCREW | 8.8 EN 898/1 |
| 508 | SPRING DISC | S 275 JR EN 10025 | 918 | MANUAL REDUCTOR | CARBON STEEL |
| 509 | TUBE SLLEVE | E 235 SR EN 10305/1 | 922 | BLOCK NUT | 6 S EN 20898/2 |
| 510 | RING NUT | C 40 EN 10083/2 | 931 | SCREW | 8.8 EN 898/1 |
| 511 | STEM | X20Cr13 EN 10088 | 924 | PIN | 8.8 EN 898/1 |
| 512 | FLANGE | C 40 EN 10083/2 | 925 | NUT | 6 S EN 20898/2 |
| 513 | HANDWHEEL | E 235 SR EN 10305/1 | 927 | SCREW | 8.8 EN 898/1 |
| 514 | PIN | S 275 JR EN 10025 | 941 | NAMUR PIN | AISI 316 |
| 515 | TUBE | E 235 SR EN 10305/1 | 951 | DOWEL | 8.8 EN 898/1 |
| 516 | TUBE | E 235 SR EN 10305/1 | 953 | SCREW | 8.8 EN 898/1 |

● STANDARD SPARE PARTS

HYDRAULIC QUARTER TURN ACTUATOR SCOTCH-YOKE EXECUTION

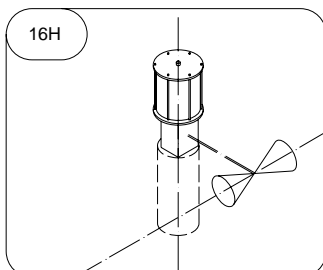
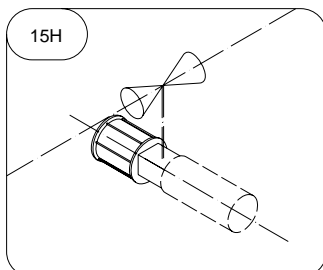
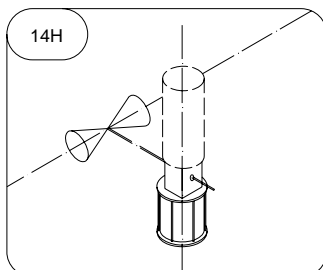
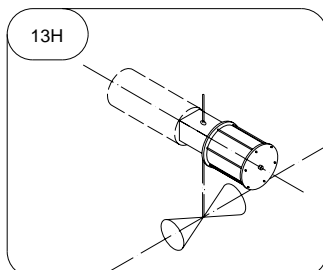
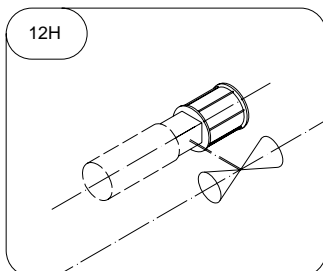
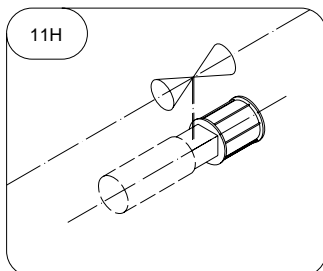
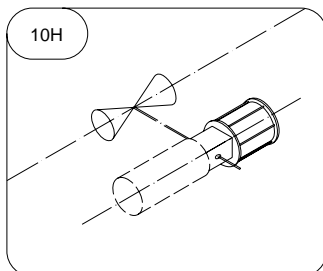
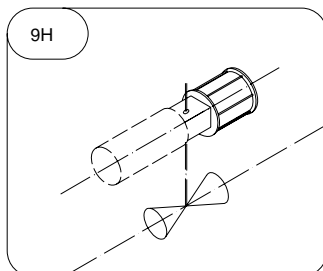
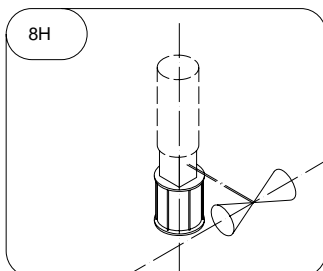
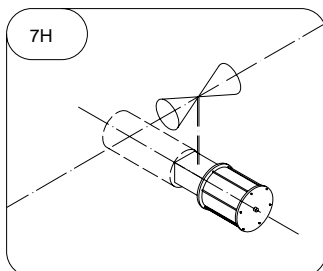
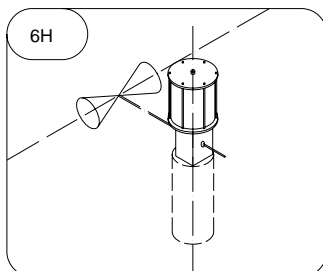
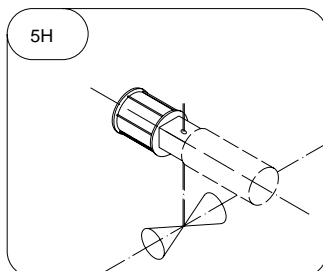
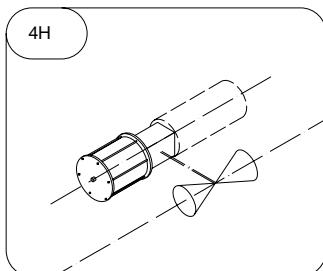
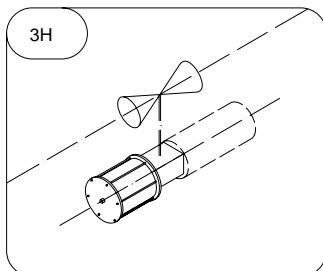
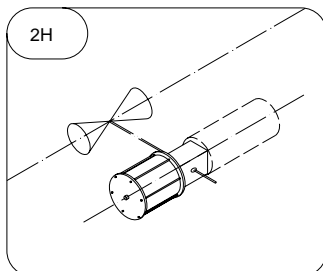
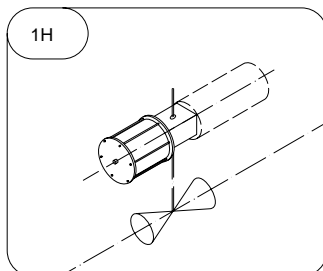
ACTUATOR MOUNTING POSITIONS

VALVE BOTTOM
ACTUATOR ABOVE

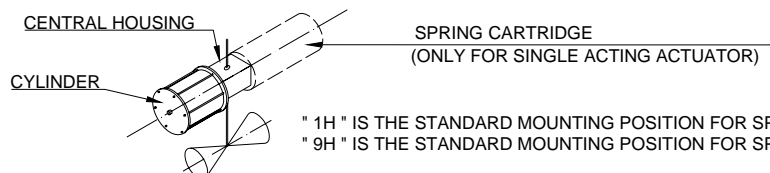
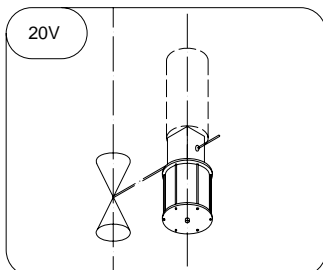
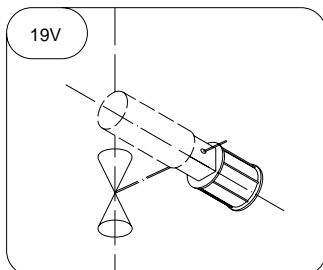
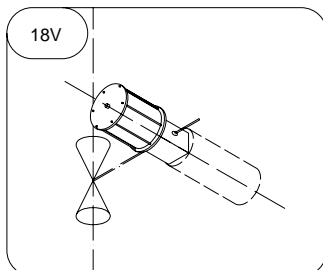
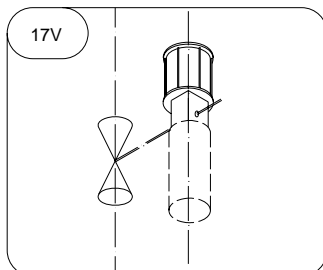
VALVE LEFT SIDE

VALVE ABOVE
ACTUATOR BOTTOM

VALVE RIGHT SIDE



VALVE VERTICAL PIPE



" 1H " IS THE STANDARD MOUNTING POSITION FOR SPRING TO OPEN.
" 9H " IS THE STANDARD MOUNTING POSITION FOR SPRING TO CLOSE.