



**PNEUMATIC SINGLE ACTING
QUARTER TURN
SCOTCH-YOKE ACTUATOR**

series RJPM-RSPM-RWPM-RCPM

SERVOVALVE spa

Via Quasimodo 27 - 20010 S.STEFANO TICINO (MI)

PHONE: 0039 – 029748461

FAX : 0039 - 0297484646

E-mail: servovalve@servovalve.it

PNEUMATIC QUARTER TURN ACTUATOR SCOTCH-YOKE EXECUTION

SINGLE ACTING

SERIES RJPM - RSPM - RWPM - RCPM

DESCRIPTION

All the Servovalve series of quarter-turn scotch-yoke actuators are designed and manufactured for the transmission of high torque suited for ball or butterfly valves, plug etc for on-off or throttling service.

The design, engineering and materials used in construction ensure optimum performances in the heaviest work condition in every environment according to the international standard specifications.

In the central housing a slotted link kinematism provides to transform the linear motion of the rod into the rotary motion of the valve shaft.

The rod is alternatively pushed either from the thrust of a pneumatic cylinder piston or from a compressed spring.

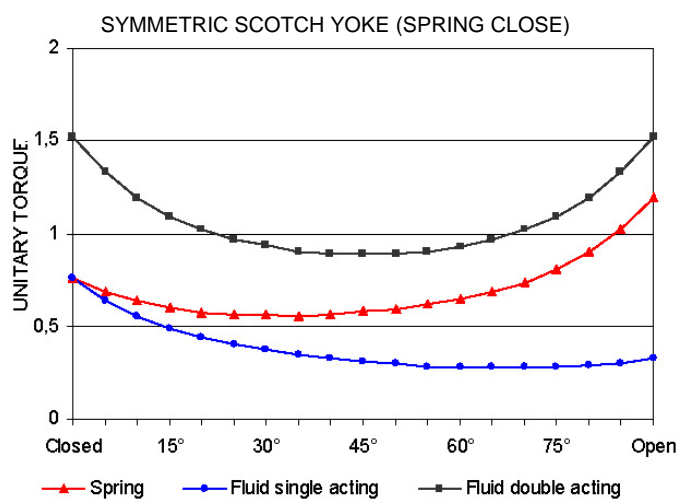
The central housing is designed to accept different types of scotch-yoke mechanisms (symmetrical, clockwise or counter-clockwise canted) to allow the choice of the best actuator performance for every kind of valve.

These actuators can be supplied with two kinds of kinematism: symmetrical (**RJPM** and **RSPM** series) or canted (**RWPM** and **RCPM** series)



SYMMETRICAL SCOTCH-YOKE

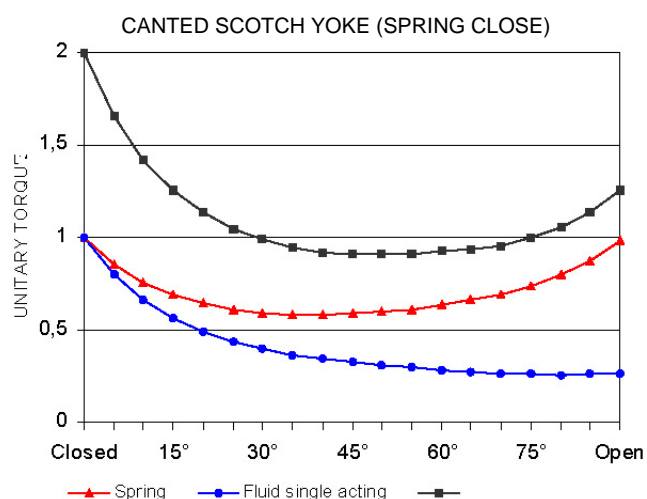
RJPM and **RSPM** series are available for the on-off or throttling valves in which it is requested an exalted torque during all the valve shaft running.



(typical output torque diagram with symmetrical scotch-yoke)

CANTED SCOTCH-YOKE

RWPM and **RCPM** series are ideally suited for the valves where it is requested an exalted torque in a specific final position (generally closed position or failure position) compared to the run and the opposite initial position.



(typical output torque diagram with canted scotch-yoke)

PNEUMATIC QUARTER TURN ACTUATOR SCOTCH-YOKE EXECUTION

SINGLE ACTING

SERIES RJPM - RSPM - RWPM - RCPM

MAIN DESIGN FEATURES

The actuators have a modular construction design.

All actuators have a totally enclosed module that provides complete protection for all moving parts, minimises the possibility of internal misalignment, and reduce the chance of injury to operating personnel.

They are realised with a central housing to which a pneumatic cylinder and a springs cartridge can be coupled in either opposite side.

Every central body can be equipped with a series of standard pneumatic cylinders and with a special springs cartridge to obtain the best choice of the actuator in every kind of application.

The chromium plated rod, sliding on PTFE charged bushings, turns the link by the cylinder piston and spring action alternatively to ensure minimum friction and long service life.

For the bigger actuators (series RCPM and RSPM) alloy steel chromium plated bar supports the transverse load thrust of the scotch-yoke to assure a regular movement also in a continuous throttling action.

The pneumatic cylinder are refaced and chromium plated.

The spring cartridge, fully closed to prevent spring corrosion in aggressive environment, is designed to allow the replacement of the springs in field with the utmost security.

Special safety-stay-bolts allow to open the cartridge and to take out the springs only after the spring preload is discharged; the replaced springs are again preload by means the stay-bolt inscrewing before to close the cartridge without special tools.

The piston is equipped with a PTFE charged slide to assure a linear drive and alignment under all load conditions allowing a long life and a perfect tight of two o-ring gaskets.

Link and joint block are connected by two hard bronze alloy sliding rings to allow a low friction factor and minimise wear of moving parts.

Field adjustable travel-stop are available in both directions to optimise the required valve stroke

The central cover is equipped of a standard valve position indicator.

SPECIAL EXECUTION

Units with particular materials for special environmental conditions (low or high temperature, aggressive medium ect.) can be supplied on request.

MANUAL EMERGENCY DEVICE

All series of actuator can be equipped with a manual emergency device as:

handwheel
manual reductor with handwheel
hydraulic cylinder with manual oil pump, tank and relevant equipment

EQUIPMENTS

Each execution can be equipped with devices and accessories for the local or remote action and control as:

limit switches
solenoid valve
flow control valve
positioner and I/P converter
position transmitter
air tank for emergency
special pneumatic end electric equipment

TEST

Every detail have been designed and tested with care and is then checked during the production process (from the receipt of the raw materials to final testing) against the strictest reliability criteria required under the ISO EN 9001 quality norm, which has been fully adopted by Servovalve.

All finished actuators are tested and certified by the Servovalve quality service before being released to external testers at the various authorising bodies and the customer's own inspectors.



PNEUMATIC QUARTER TURN ACTUATOR SCOTCH-YOKE EXECUTION

SINGLE ACTING

SERIES RJPM - RSPM - RWPM - RCPM

TECHNICAL PERFORMANCE

Pressure range:

Minimum working pressure: 3 bar

Maximum working pressure: see technical sheet

Cylinder test pressure: 1,5 max allowable pressure

Actuator test: 1,2 actuator working pressure

On request available for higher work and max pressure

Angular stroke:

Turn: 90° +/- 5°

Environmental temperature range:

min: -20°C

max: +80°C

On request for lower or higher temperature

Operating medium:

air

gas

any medium compatible with standard materials

Actuator seals gaskets:

standard: N.B.R. (-20°C + 80°C)

low temp: fluorosilicone

high temp: viton

Painting:

Standard execution has surface protection with:

sandblasting

1 primer layer

1 epoxy finish layer

On request available other painting

Standard execution:

Without any other indication the cylinder and the spring cartridge are assembled to the central housing in way to fail with spring rotating clockwise (watching the actuator from the top).

Only on request actuators can be supplied with spring rotating counter-clockwise.

Fail rotation:

The spring cartridge and the cylinder can be assembled to both sides of the central housing to ensure spring return action (fail position) in either clockwise or counter-clockwise direction.



CERTIFICATION

From 1995 Servovalve was awarded certification by international body DNV due to its full compliance with Quality Norm EN 9001.

From 2002 Servovalve actuators can be supplied with the CE mark according to the 97/23/CE directive (PED) and ATEX directive 94/9/ce under the approval of the notified body DNV.

SERVICE

The Servovalve personnel guarantees prompt assistance to the customer during the start up of the plant and its normal working life.

MAINTENANCE

The inner parts of the actuator are life-lubricated, therefore only replacement of the rubber gaskets may become necessary after a long working time as pointed out in the operating book.

SPECIAL ACTUATORS

Actuator for special performances or for torque requirements greater than shown, please contact our sales department.



PNEUMATIC QUARTER TURN ACTUATOR SCOTCH-YOKE EXECUTION

SINGLE ACTING

SERIES RJPM - RSPM - RWPM - RCPM

SCOTCH YOKE ACTUATOR CODE MODE

MODEL **R** **C** **P** **M** **V** **2** **5** **0** **0** / **4** **2** **0** **S** **3** **0** **2** **N** **F** **C** **B** **R** **P**

ACTUATOR TYPE

- R rotary actuator

SCOTCH YOKE TYPE

- K or W or C canted
- G or T or J or S symmetric

MEDIUM

- P air or gas
- O oil or other liquid

SINGLE ACTING

- M spring
- (missing for double acting)

OPTIONAL DEVICE

- V handwheel
- R reductor
- H hydraulic pump
- A damper
- Z hydraulic pump and damper
- X special execution

TYPE OF HOUSING

CYLINDER NOMINAL SIZE

NUMBER OF CYLINDER

- S single
- B double

TYPE OF SPRING

- spring code
- (missing for double acting or belleville springs)

TEMPERATURE RANGE

- N -20°/+80°
- B -40°/+80°
- A -50°/+60°
- G -60°/+60°
- H -20°/+150°
- S special temperature

SPRING ACTION

- FC close
- FO open
- (missing for double acting)

COUPLING

- B bracket
- F flange

FUNCTION

- R modulating
- O on-off

CONTROL CIRCUIT

- P included
- N not included

PNEUMATIC QUARTER TURN ACTUATOR SCOTCH-YOKE EXECUTION

SINGLE ACTING

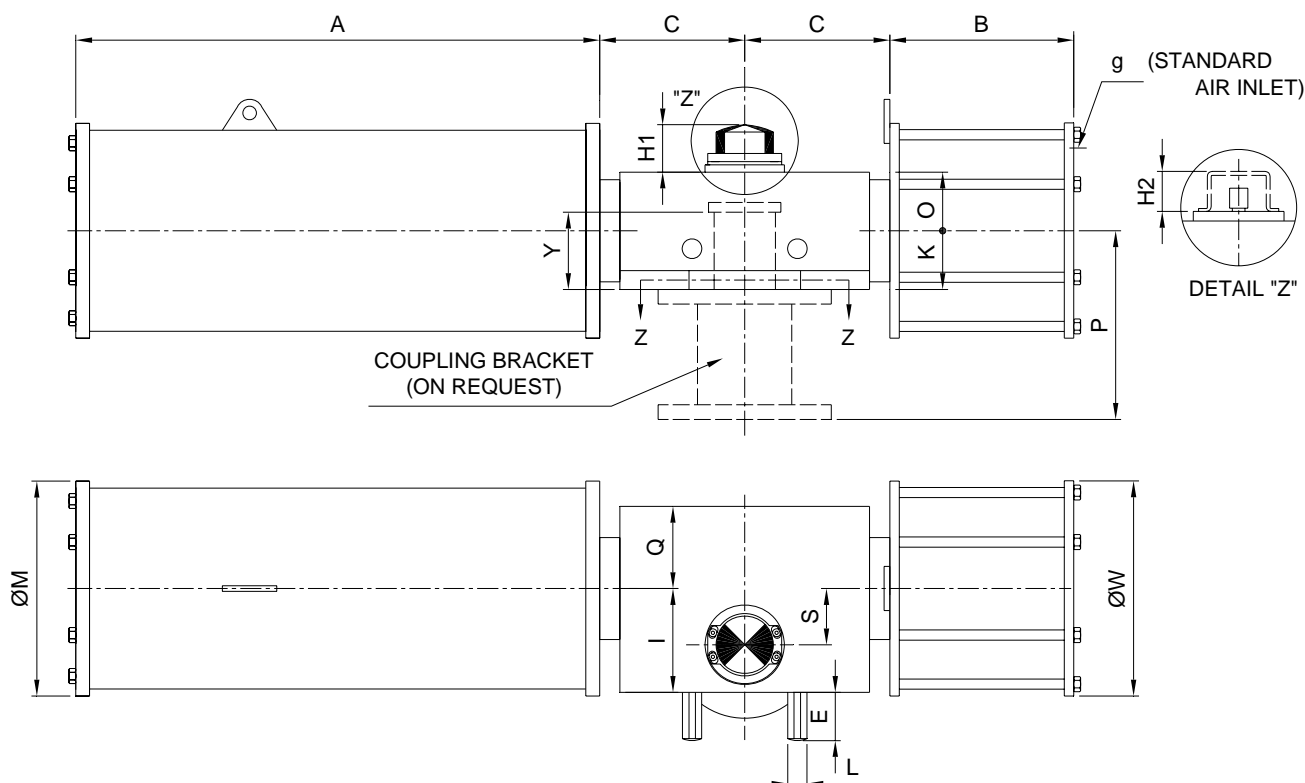
SERIES RJPM - RSPM - RWPM - RCPM



PNEUMATIC QUARTER TURN ACTUATOR SCOTCH-YOKE EXECUTION

SINGLE ACTING

TYPE RJPM - RWPM



ACTUATOR DIMENSIONS (mm)

	A	B	C	E	H1	H2	I	K	L	O	Q	S	Y	g
RWPM 900/...	940	360	240	60	55	45	195	120	36	100	145	85	100	½ NPT
RJPM 900/...														
RWPM 1400/...	1350	400	285	70	55	45	230	125	46	110	165	100	120	½ NPT
RJPM 1400/...														

DRAWING ONLY FOR SPRING TO CLOSE, FOR SPRING TO OPEN DIMENSIONS ARE SYMMETRICAL IN RESPECT TO THE AXIS VALVES

FLANGE DIMENSIONS (mm)

	D	n° x F	G	X	r	t	ISO	ON REQUEST			
								MIN.	MAX.	Xmin	Xmax
RWPM 900/...	300	4 x M 20	165	60	34,4	18	F 16	F 14	F 25	45	65
RJPM 900/...											
RWPM 1400/...	350	8 x M 16	254	80	45,4	22	F 25	F 16	F 30	65	90
RJPM 1400/...											

SPRING CARTRIDGE DIAMETER (mm)

RWPM 900/.../..	209	201	202	203	204	-	-	-
RJPM 900/.../..								
RWPM 1400/.../..	-	301	302	303	304	305	313	324
RJPM 1400/.../..								
DIMENSION "M"	280	345	395	465	510	575	465	510

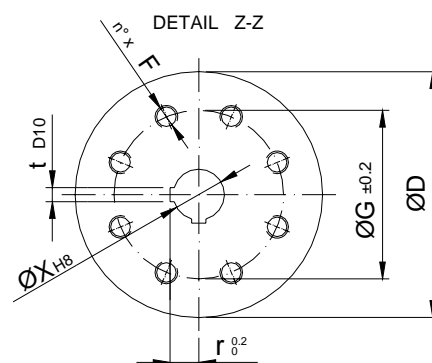
CYLINDER DIAMETER (mm)

TYPE OF CYLINDER	250	300	360	420	500	520
DIMENSION "W"	340	395	465	540	590	640

"H1" - STANDARD INDEX

"H2" - MOUNTING KIT ACCORDING TO VDI-VDE 3845 (ON REQUEST)

"P" - BRACKET ACCORDING TO CUSTOMER REQUIREMENT (ON REQUEST)

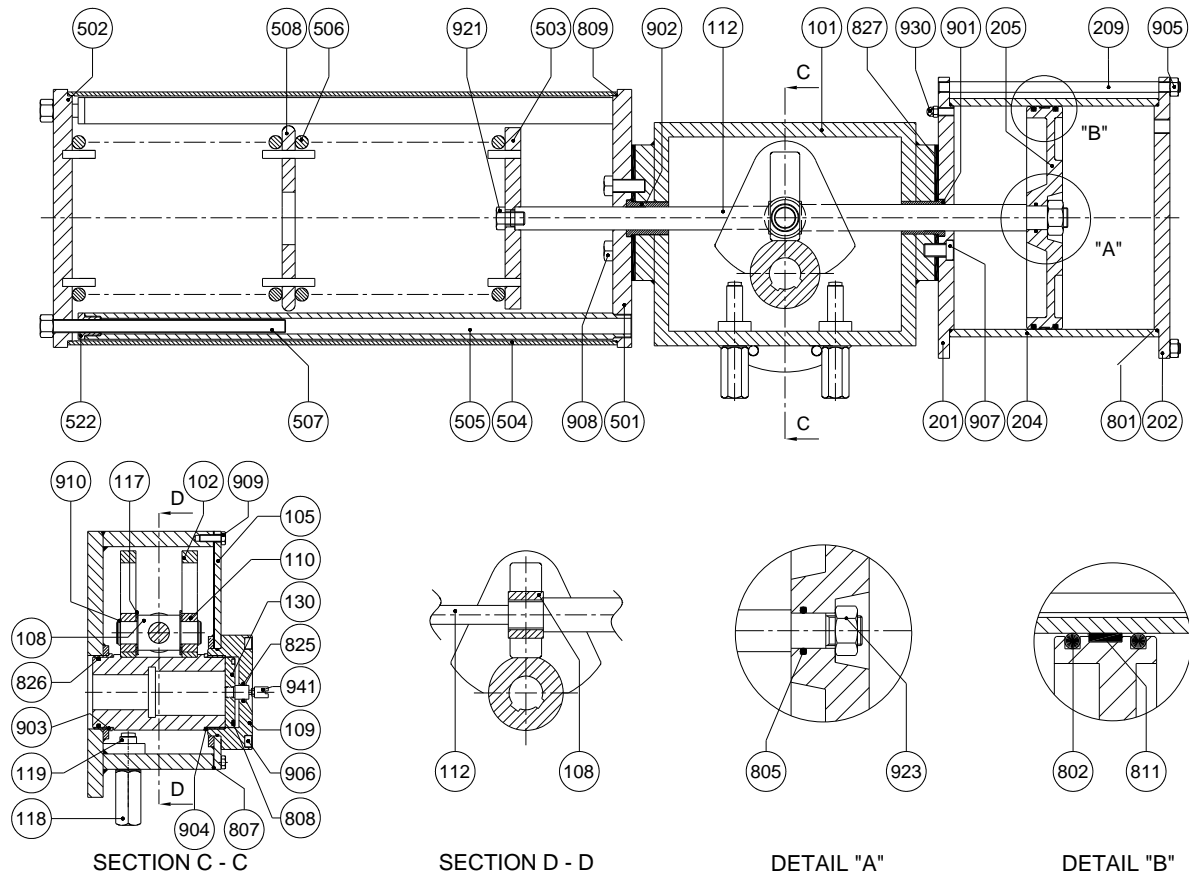


ON REQUEST ISO MALE SPIGOT

PNEUMATIC QUARTER TURN ACTUATOR SCOTCH-YOKE EXECUTION

SINGLE ACTING

TYPE RJPM - RWPM



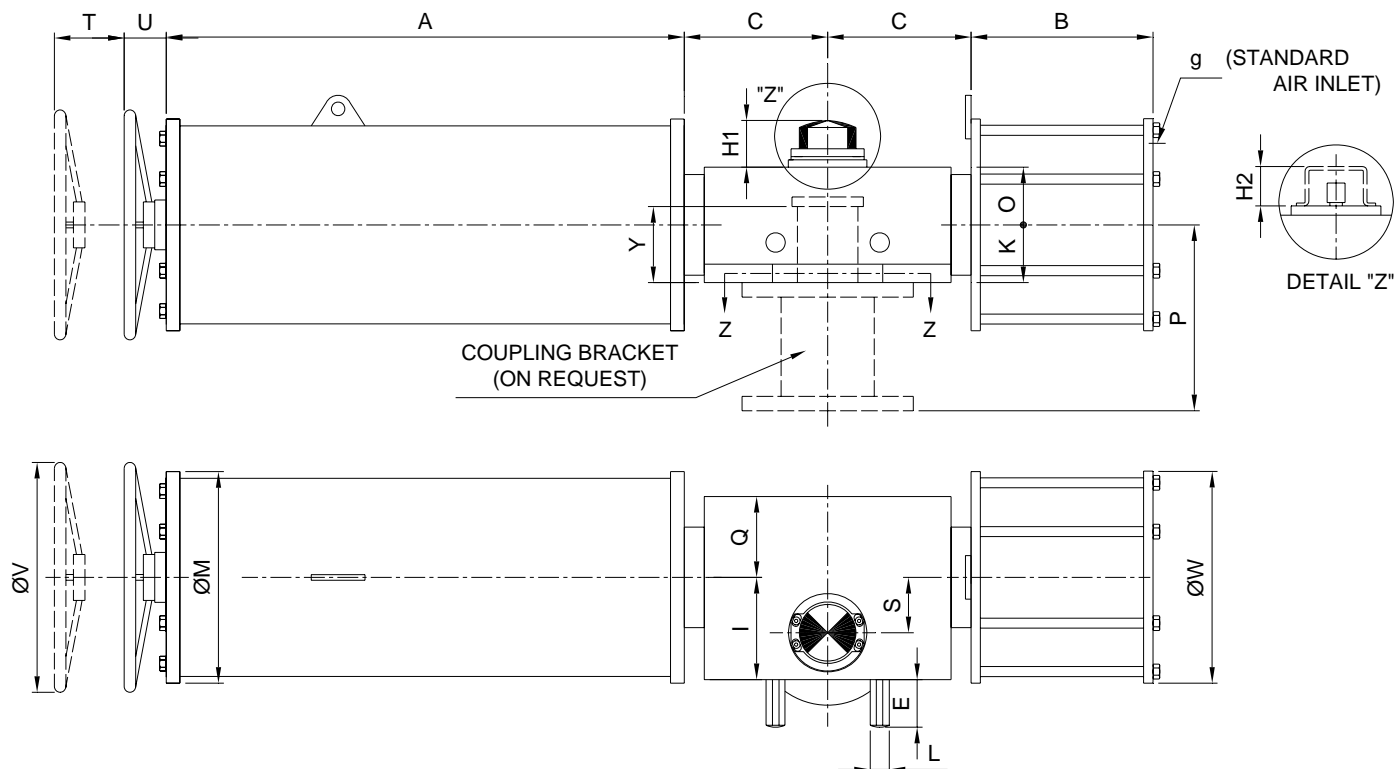
POS.	DESCRIPTION	MATERIAL	POS.	DESCRIPTION	MATERIAL
101	HOUSING	S 275 JR EN 10025	522	SAFETY NUT	CuAlFe3 EN 1982
102	LINK	S 275 JR EN 10025	• 801	O-RING	N.B.R.
105	COVER	S 275 JR EN 10025	• 802	O-RING	N.B.R.
108	LINK JOINT	C 40 EN 10083/2	• 805	O-RING	N.B.R.
109	COVER	S 275 JR EN 10025	• 807	COVER GASKET	N.B.R.
110	SLIDING RING	BzAl EN 1982	• 808	O-RING	N.B.R.
112	CHROM. SHAFT	42CrMo4 EN 10083/1	• 809	O-RING	N.B.R.
117	WASHER	CW 614 N EN 12164	• 811	PISTON DRIVE	PTFE+GRAPHITE
118	CAP	S 275 JR EN 10025	• 825	O-RING	N.B.R.
119	STOP SCREW	8.8 EN 898/1	• 826	O-RING	N.B.R.
130	LINK CAP	S 275 JR EN 10025	• 827	GASKET	N.B.R.
201	HEAD	P 355 NH EN 10028/3	901	BUSHING	STEEL/BRONZE/TEFLON
202	HEAD	P 355 NH EN 10028/3	902	BUSHING	STEEL/BRONZE/TEFLON
204	CYLINDER (int. chr. plated)	E 355 EN 10297/1	903	BUSHING	STEEL/BRONZE/TEFLON
205	PISTON (till cylinder Ø 420)	SgAlCu3 EN 1706	904	BUSHING	STEEL/BRONZE/TEFLON
205	PISTON (over cylinder Ø 420)	S 275 JR EN 10025	905	NUT	6 S EN 20898/2
209	STAY BOLT	42CrMo4 EN 10269	906	SCREW	8.8 EN 898/1
501	INTERNAL FLANGE	S 275 JR EN 10025	907	SCREW	8.8 EN 898/1
502	EXTERNAL FLANGE	S 275 JR EN 10025	908	SCREW	8.8 EN 898/1
503	SPRING DISC	S 275 JR EN 10025	909	SCREW	8.8 EN 898/1
504	TUBE	S 235 JR EN 10025	910	SEEGER	ALLOY STEEL
505	SAFETY TUBE	E 235 SR EN 10305/1	921	SCREW	8.8 EN 898/1
506	SPRING	SPRING ST. EN 10270	923	NUT	6 S EN 20898/2
507	SAFETY BOLT	42CrMo4 EN 10083/1	930	AIR SILENCER	BRASS
508	SPRING DISC	S 275 JR EN 10025	941	NAMUR PIN	AI SI 316

• STANDARD SPARE PARTS

PNEUMATIC QUARTER TURN ACTUATOR SCOTCH-YOKE EXECUTION

SINGLE ACTING WITH HANDWHEEL

TYPE RJPMV - RWPMV



ACTUATOR DIMENSIONS (mm)

	A	B	C	E	H1	H2	I	K	L	O	Q	S	T	U	V	Y	g
RWPMV 900/...	940	360	240	60	55	45	195	120	36	100	145	85	190	130	500	100	½ NPT
RJPMV 900/...																	
RWPMV 1400/...	1350	400	285	70	55	45	230	125	46	110	165	100	250	130	600	120	½ NPT
RJPMV 1400/...																	

DRAWING ONLY FOR SPRING TO CLOSE, FOR SPRING TO OPEN DIMENSIONS ARE SYMMETRICAL IN RESPECT TO THE AXIS VALVES

FLANGE DIMENSIONS (mm)

	D	n° x F	G	X	r	t	ISO	ON REQUEST			
								MIN.	MAX.	Xmin	Xmax
RWPMV 900/...	300	4 x M 20	165	60	34,4	18	F 16	F 14	F 25	45	65
RJPMV 900/...											
RWPMV 1400/...	350	8 x M 16	254	80	45,4	22	F 25	F 16	F 30	65	90
RJPMV 1400/...											

SPRING CARTRIDGE DIAMETER (mm)

RWPMV 900/.../..	209	201	202	203	204	-	-	-
RJPMV 900/.../..								
RWPMV 1400/.../..	-	301	302	303	304	305	313	324
RJPMV 1400/.../..								
DIMENSION "M"	280	345	395	465	510	575	465	510

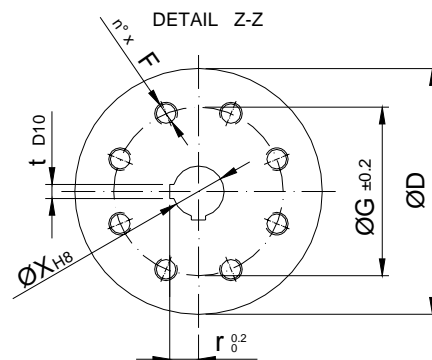
CYLINDER DIAMETER (mm)

TYPE OF CYLINDER	250	300	360	420	500	520
DIMENSION "W"	340	395	465	540	590	640

"H1" - STANDARD INDEX

"H2" - MOUNTING KIT ACCORDING TO VDI-VDE 3845 (ON REQUEST)

"P" - BRACKET ACCORDING TO CUSTOMER REQUIREMENT (ON REQUEST)

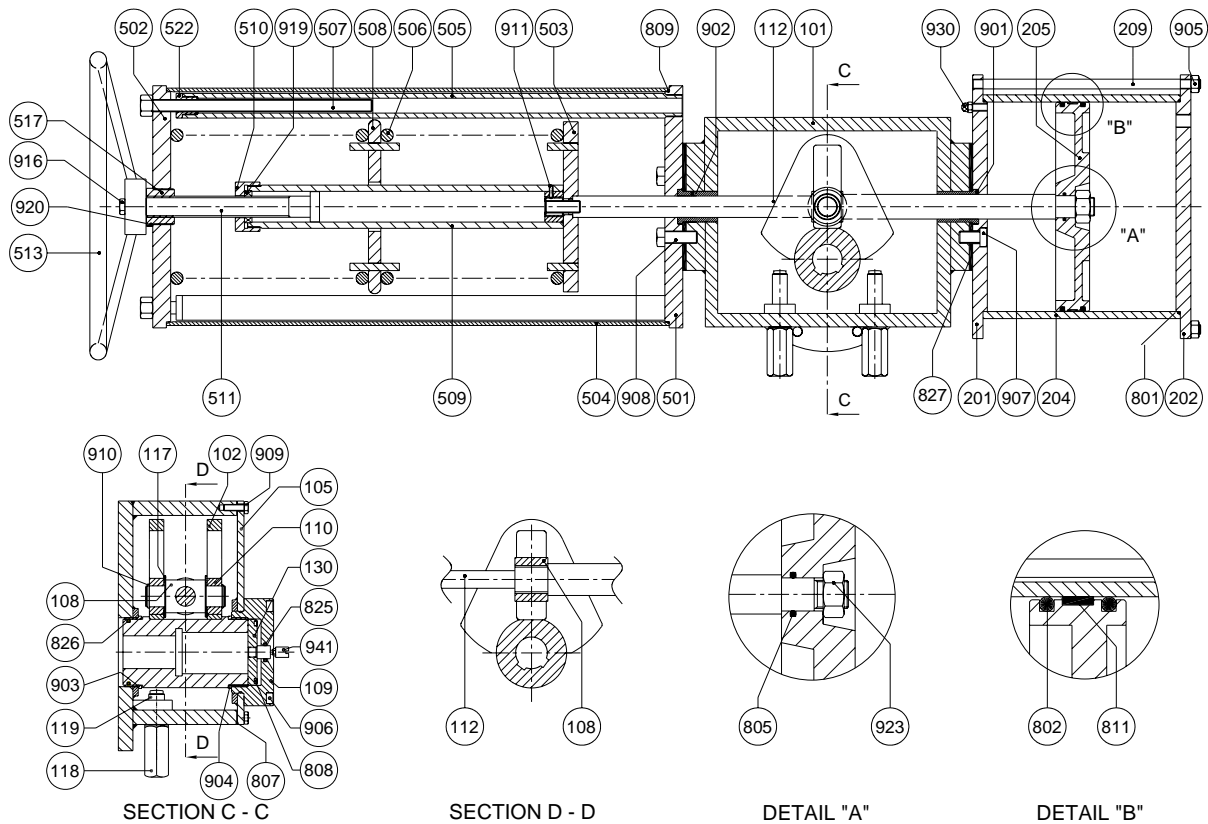


ON REQUEST ISO MALE SPIGOT

PNEUMATIC QUARTER TURN ACTUATOR SCOTCH-YOKE EXECUTION

SINGLE ACTING WITH HANDWHEEL

TYPE RJPMV - RWPMV



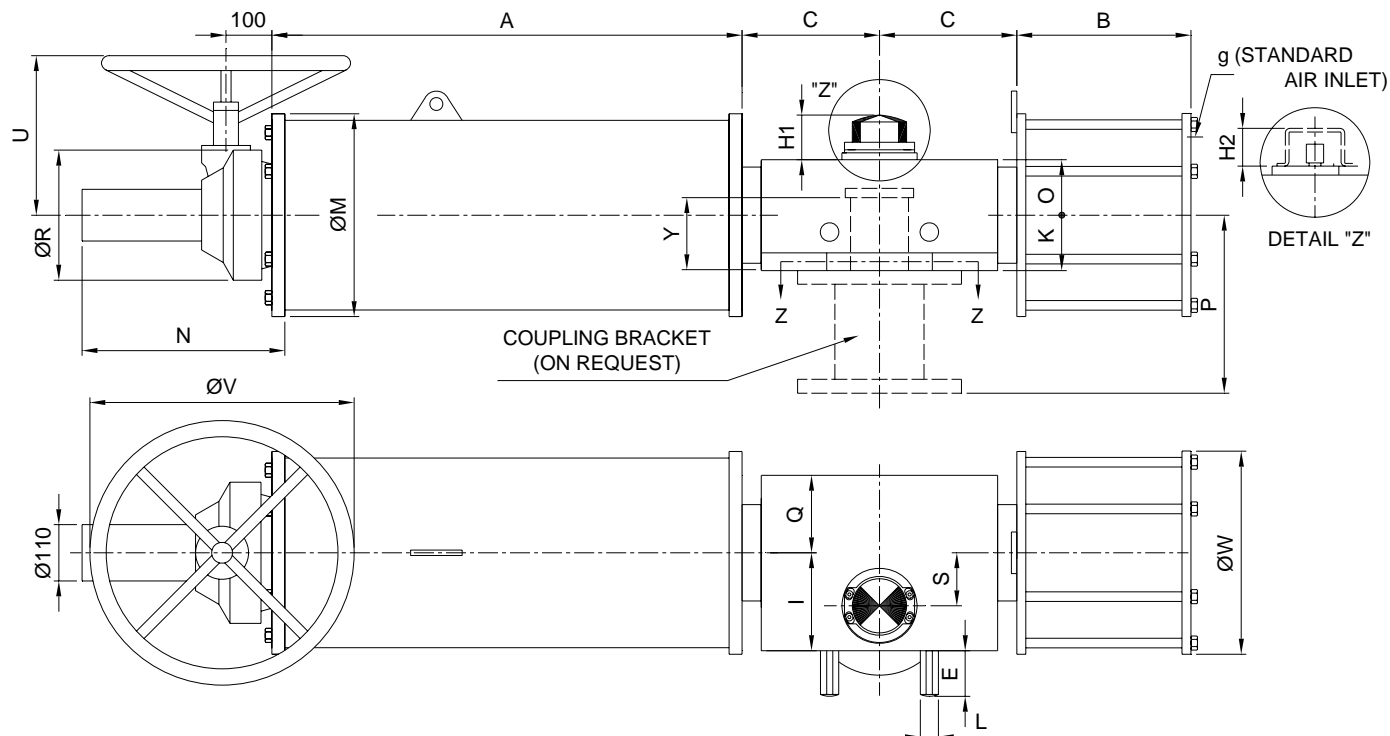
POS.	DESCRIPTION	MATERIAL	POS.	DESCRIPTION	MATERIAL
101	HOUSING	S 275 JR EN 10025	517	DRIVE NUT	BSZN5 EN 1982
102	LINK	S 275 JR EN 10025	522	SAFETY NUT	CuAlFe3 EN 1982
105	COVER	S 275 JR EN 10025	• 801	O-RING	N.B.R.
108	LINK JOINT	C 40 EN 10083/2	• 802	O-RING	N.B.R.
109	ICOVER	S 275 JR EN 10025	• 805	O-RING	N.B.R.
110	SLIDING RING	BzAl EN 1982	• 807	COVER GASKET	N.B.R.
112	CHROM. SHAFT	42 CrMo4 EN 10083/1	• 808	O-RING	N.B.R.
117	WASHER	CW 614 N EN 12164	• 809	O-RING	N.B.R.
118	CAP	S 275 JR EN 10025	• 811	PISTON DRIVE	PTFE+GRAPHITE
119	STOP SCREW	8.8 EN 898/1	• 825	O-RING	N.B.R.
130	LINK CAP	S 275 JR EN 10025	• 826	O-RING	N.B.R.
201	HEAD	P 355 NH EN 10028/3	• 827	GASKET	N.B.R.
202	HEAD	P 355 NH EN 10028/3	901	BUSHING	STEEL/BRONZE/TEFLON
204	CYLINDER (int. chr. plated)	E 355 EN 10297/1	902	BUSHING	STEEL/BRONZE/TEFLON
205	PISTON (till cylinder Ø 420)	SgAlCu3 EN 1706	903	BUSHING	STEEL/BRONZE/TEFLON
205	PISTON (over cylinder Ø 420)	S 275 JR EN 10025	904	BUSHING	STEEL/BRONZE/TEFLON
209	STAY BOLT	42CrMo4 EN 10269	905	NUT	6S EN 20898/2
501	INTERNAL FLANGE	S 275 JR EN 10025	906	SCREW	8.8 EN 898/1
502	EXTERNAL FLANGE	S 275 JR EN 10025	907	SCREW	8.8 EN 898/1
503	SPRING DISC	S 275 JR EN 10025	908	SCREW	8.8 EN 898/1
504	TUBE	S 235 JR EN 10025	909	SCREW	8.8 EN 898/1
505	SAFETY TUBE	E 235 SR EN 10305/1	910	SEEGER	ALLOY STEEL
506	SPRING	SPRING ST. EN 10270	911	DOWEL	8.8 EN 898/1
507	SAFETY BOLT	42CrMo4 EN 10083/1	916	SCREW	8.8 EN 898/1
508	SPRING DISC	S 275 JR EN 10025	919	ROLLER BEARING	ALLOY STEEL
509	TUBE SLEEVE	E 235 SR EN 10305/1	920	DOWEL	8.8 EN 898/1
510	RING NUT	C 40 EN 10083/2	923	NUT	6 S EN 20898/2
511	STEM	X20Cr13 EN 10088	930	AIR SILENCER	BRASS
513	HANDWHEEL	E 235 SR EN 10305/1	941	NAMUR PIN	AISI 316

• STANDARD SPARE PARTS

PNEUMATIC QUARTER TURN ACTUATOR SCOTCH-YOKE EXECUTION

SINGLE ACTING WITH MANUAL GEAR

TYPE **RJPMR - RWPMR**



ACTUATOR DIMENSIONS (mm)

	A	B	C	E	H1	H2	I	K	L	N	O	Q	R	S	U	V	Y	g
RWPMR 1400/...	1350	400	240	70	55	45	230	120	46	480	110	165	270	100	440	800	120	½ NPT
RJPMR 1400/...																		

DRAWING ONLY FOR SPRING TO CLOSE, FOR SPRING TO OPEN DIMENSIONS ARE SYMMETRICAL IN RESPECT TO THE AXIS VALVES

FLANGE DIMENSIONS (mm)

	D	n° x F	G	X	r	t	ISO	ON REQUEST					
								MIN.	MAX.	Xmin	Xmax		
RWPMR 1400/...	350	8 x M 16	254	80	45,4	22	F 25	F 16	F 30	65	90		
RJPMR 1400/...													

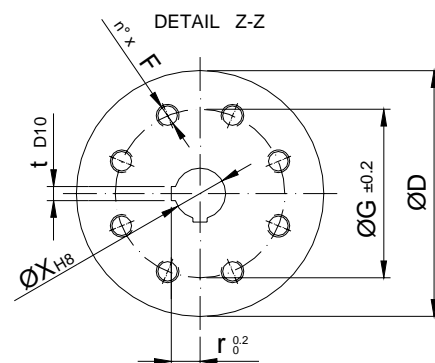
SPRING CARTRIDGE DIAMETER (mm)

RWPMR 1400/.../...	301	302	303	304	305	313	324
RJPMR 1400/.../...							
DIMENSION "M"	345	395	465	510	575	465	510

CYLINDER DIAMETER (mm)

TYPE OF CYLINDER	250	300	360	420	500	520
DIMENSION "W"	340	395	465	540	590	640

- "H1" - STANDARD INDEX
- "H2" - MOUNTING KIT ACCORDING TO VDI-VDE 3845 (ON REQUEST)
- "P" - BRACKET ACCORDING TO CUSTOMER REQUIREMENT (ON REQUEST)

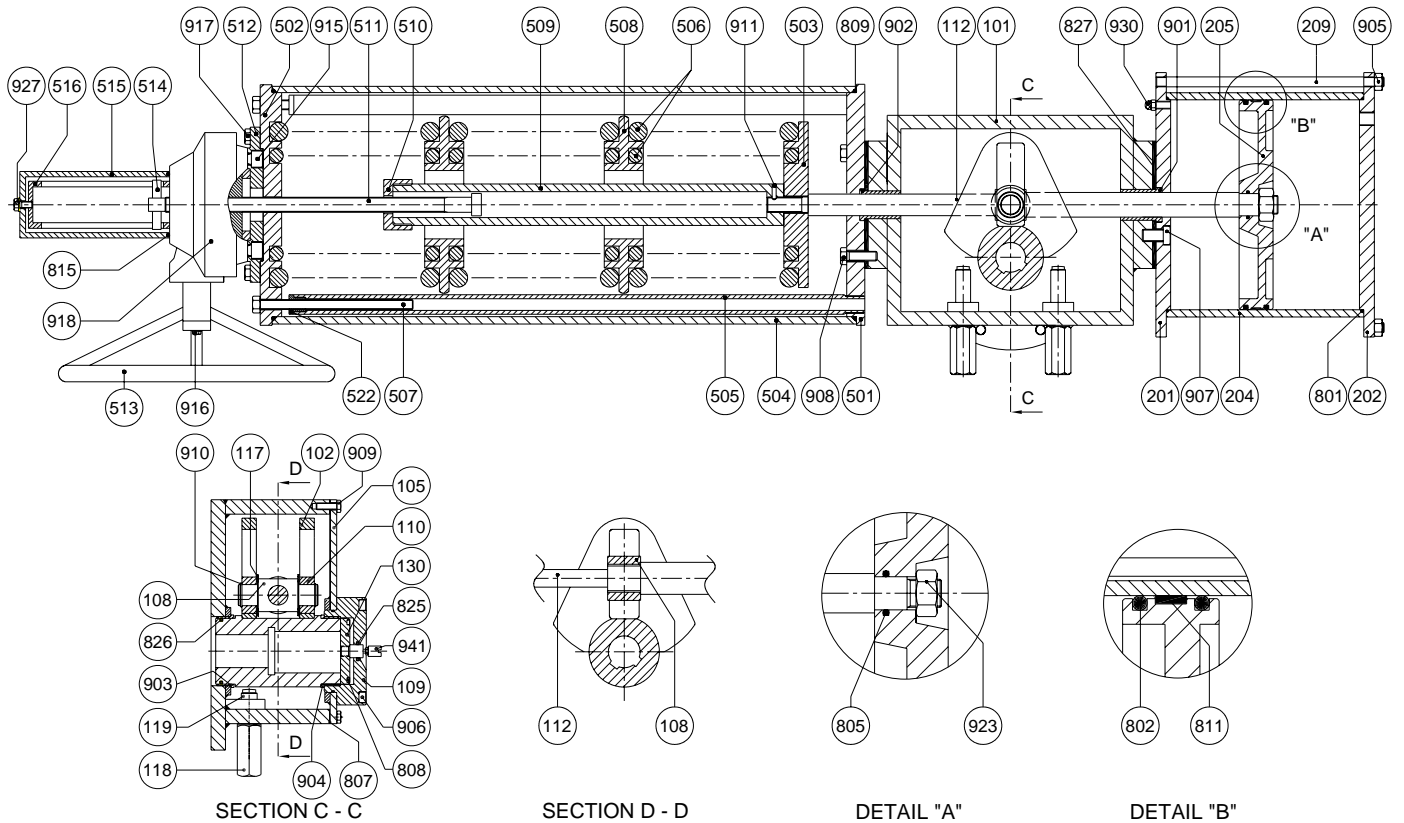


ON REQUEST ISO MALE SPIGOT

PNEUMATIC QUARTER TURN ACTUATOR SCOTCH-YOKE EXECUTION

SINGLE ACTING WITH MANUAL GEAR

TYPE RJPMR - RWPMR



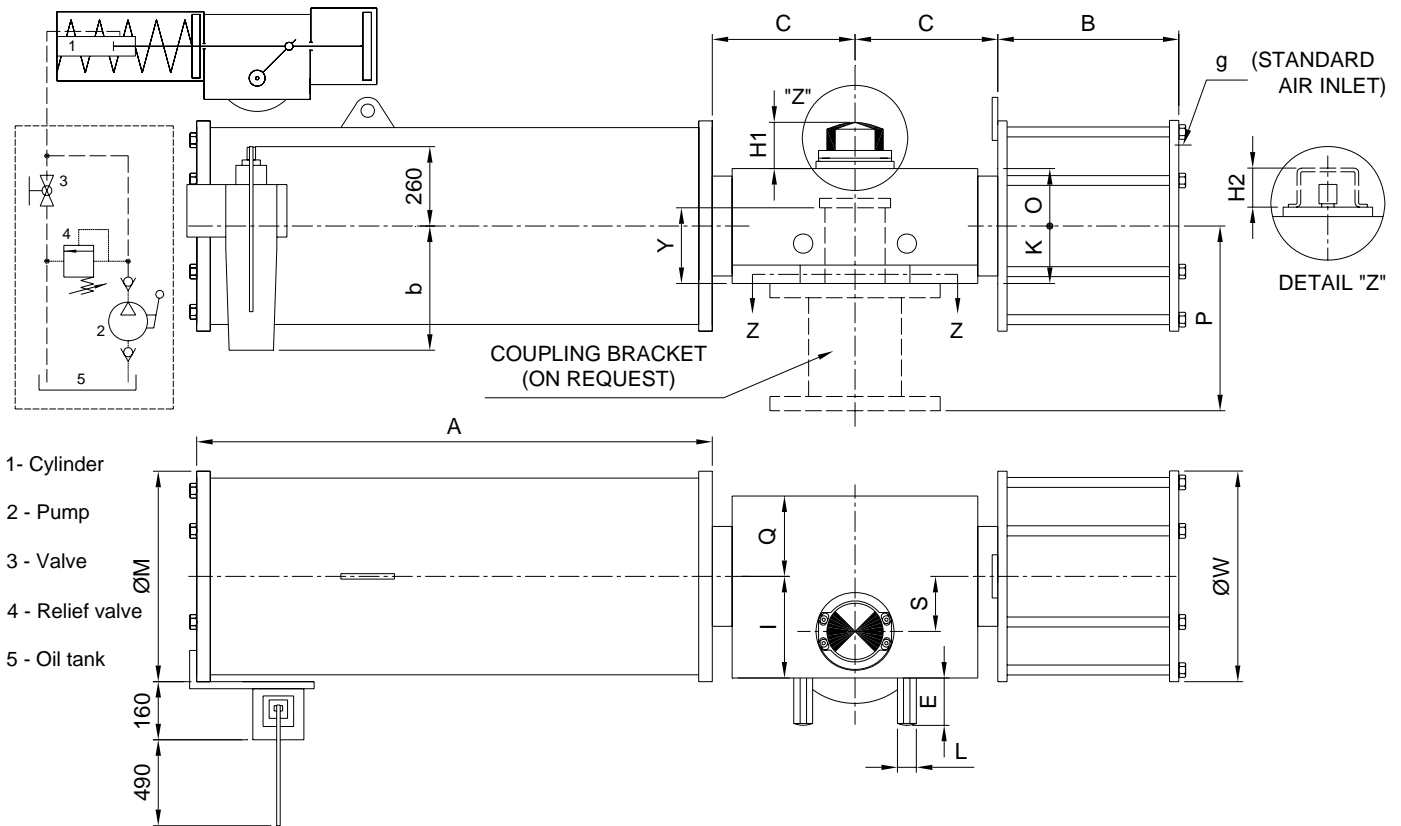
POS.	DESCRIPTION	MATERIAL	POS.	DESCRIPTION	MATERIAL
101	HOUSING	S 275 JR EN 10025	516	TUBE	E 235 SR EN 10305/1
102	LINK	S 275 JR EN 10025	522	SAFETY NUT	CuAlFe3 EN 1982
105	COVER	S 275 JR EN 10025	• 801	O-RING	N.B.R.
108	LINK JOINT	C 40 EN 10083/2	• 802	O-RING	N.B.R.
109	COVER	S 275 JR EN 10025	• 805	O-RING	N.B.R.
110	SLIDING RING	BzAl EN 1982	• 807	COVER GASKET	N.B.R.
112	CHROM. SHAFT	42CrMo4 EN 10083/1	• 808	O-RING	N.B.R.
117	WASHER	CW 614 N EN 12164	• 809	O-RING	N.B.R.
118	CAP	S 275 JR EN 10025	• 811	PISTON DRIVE	PTFE+GRAPHITE
119	STOP SCREW	8.8 EN 898/1	• 815	O-RING	N.B.R.
130	LINK CAP	S 275 JR EN 10025	• 825	O-RING	N.B.R.
201	HEAD	P 355 NH EN 10028/3	• 826	O-RING	N.B.R.
202	HEAD	P 355 NH EN 10028/3	• 827	GASKET	N.B.R.
204	CYLINDER (int. chr. plated)	E 355 EN 10297/1	901	BUSHING	STEEL/BRONZE/TEFLON
205	PISTON (till cylinder Ø 420)	SgAlCu3 EN 1706	902	BUSHING	STEEL/BRONZE/TEFLON
205	PISTON (over cylinder Ø 20)	S 275 JR EN 10025	903	BUSHING	STEEL/BRONZE/TEFLON
209	STAY BOLT	42CrMo4 EN 10269	904	BUSHING	STEEL/BRONZE/TEFLON
501	INTERNAL FLANGE	S 275 JR EN 10025	905	NUT	6 S EN 20898/2
502	EXTERNAL FLANGE	S 275 JR EN 10025	906	SCREW	8.8 EN 898/1
503	SPRING DISC	S 275 JR EN 10025	907	SCREW	8.8 EN 898/1
504	TUBE	S 235 JR EN 10025	908	SCREW	8.8 EN 898/1
505	SAFETY TUBE	E 235 SR EN 10305/1	909	SCREW	8.8 EN 898/1
506	SPRING	SPRING ST. EN 10270	910	SEEGER	ALLOY STEEL
507	SAFETY BOLT	42CrMo4 EN 10083/1	911	DOWEL	8.8 EN 898/1
508	SPRING DISC	S 275 JR EN 10025	915	SCREW	8.8 EN 898/1
509	TUBE SLEEVE	E 235 SR EN 10305/1	916	SCREW	8.8 EN 898/1
510	RING NUT	CW 612 N EN 12164	917	SCREW	8.8 EN 898/1
511	STEM	X20Cr13 EN 10088	918	REDUCTOR	CAST IRON EN 1563
512	FLANGE	C 40 EN 10083/2	923	NUT	6 S EN 20898/2
513	HANDWHEEL	E 235 SR EN 10305/1	927	SCREW	8.8 EN 898/1
514	PIN	S 275 JR EN 10025	930	AIR SILENCER	BRASS
515	TUBE	E 235 SR EN 10305/1	941	NAMUR PIN	AISI 316

• STANDARD SPARE PARTS

PNEUMATIC QUARTER TURN ACTUATOR SCOTCH-YOKE EXECUTION

SINGLE ACTING WITH MANUAL HYDRAULIC PUMP

RJPMH - RWPMH



ACTUATOR DIMENSIONS (mm)

	A	B	C	E	H1	H2	I	K	L	O	Q	S	Y	g
RWPM 900/...	940	360	240	60	55	45	195	120	36	100	145	85	100	½ NPT
RJPM 900/...														
RWPM 1400/...	1350	400	285	70	55	45	230	125	46	110	165	100	120	½ NPT
RJPM 1400/...														

DRAWING ONLY FOR SPRING TO CLOSE, FOR SPRING TO OPEN DIMENSIONS ARE SYMMETRICAL IN RESPECT TO THE AXIS VALVES

FLANGE DIMENSIONS (mm)

	D	n° x F	G	X	r	t	ISO	ON REQUEST			
								MIN.	MAX.	Xmin	Xmax
RWPM 900/...	300	4 x M 20	165	60	34,4	18	F 16	F 14	F 25	45	65
RJPM 900/...											
RWPM 1400/...	350	8 x M 16	254	80	45,4	22	F 25	F 16	F 30	65	90
RJPM 1400/...											

SPRING CARTRIDGE DIAMETER (mm)

RWPM 900/.../..	209	201	202	203	204	-	-	-
RJPM 900/.../..								
RWPM 1400/.../..	-	301	302	303	304	305	313	324
RJPM 1400/.../..								
DIMENSION "M"	280	345	395	465	510	575	465	510

CYLINDER DIAMETER (mm)

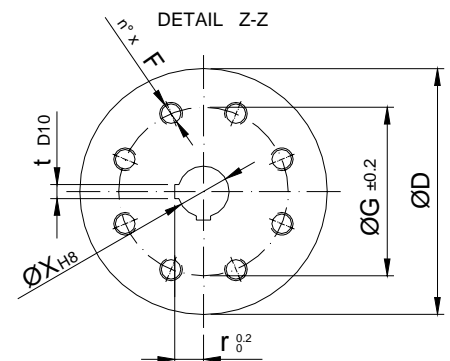
TYPE OF CYLINDER	250	300	360	420	500	520
DIMENSION "W"	340	395	465	540	590	640

QUOTE "b" - TO BE DEFINED

"H1" - STANDARD INDEX

"H2" - MOUNTING KIT ACCORDING TO VDI-VDE 3845 (ON REQUEST)

"P" - BRACKET ACCORDING TO CUSTOMER REQUIREMENT (ON REQUEST)

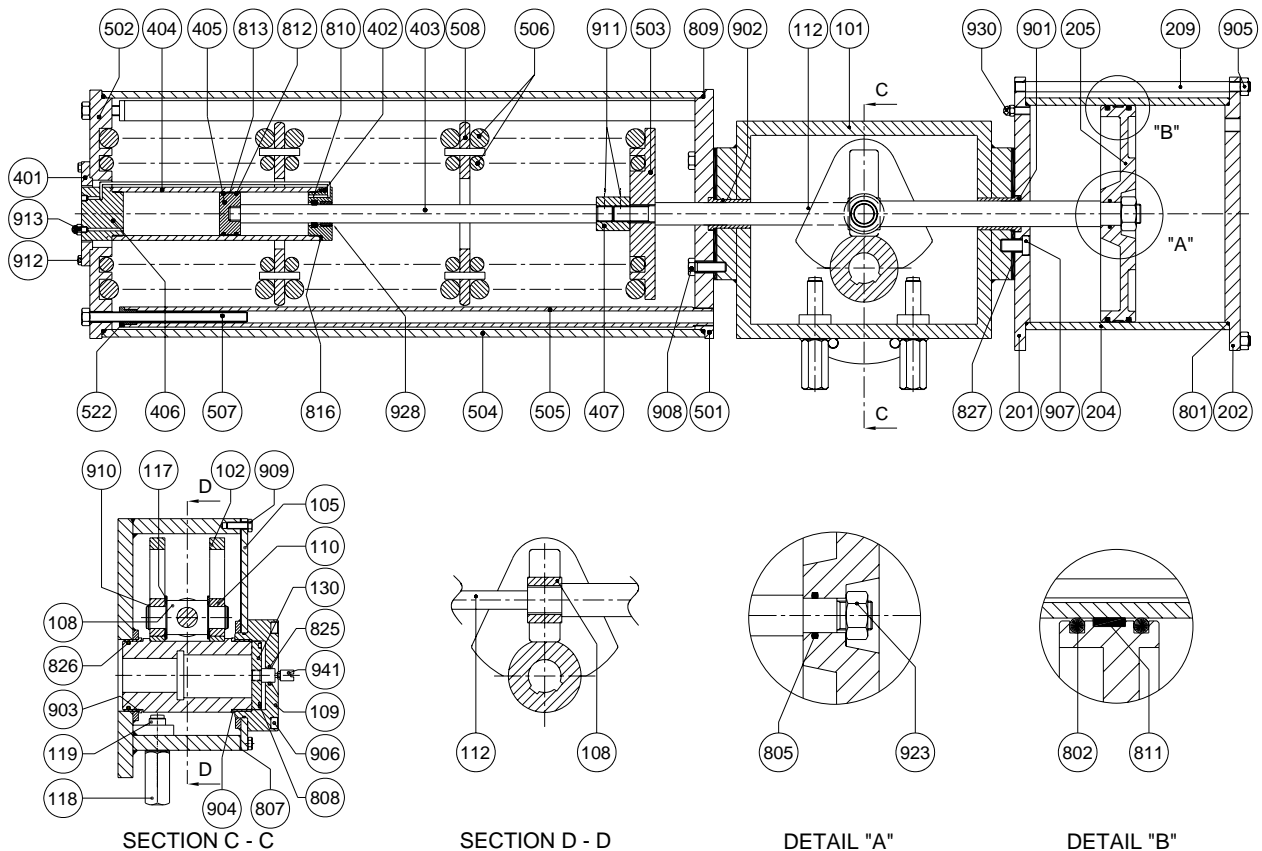


ON REQUEST ISO MALE SPIGOT

PNEUMATIC QUARTER TURN ACTUATOR SCOTCH-YOKE EXECUTION

SINGLE ACTING WITH MANUAL HYDRAULIC PUMP

TYPE **RJPMH - RWPMH**



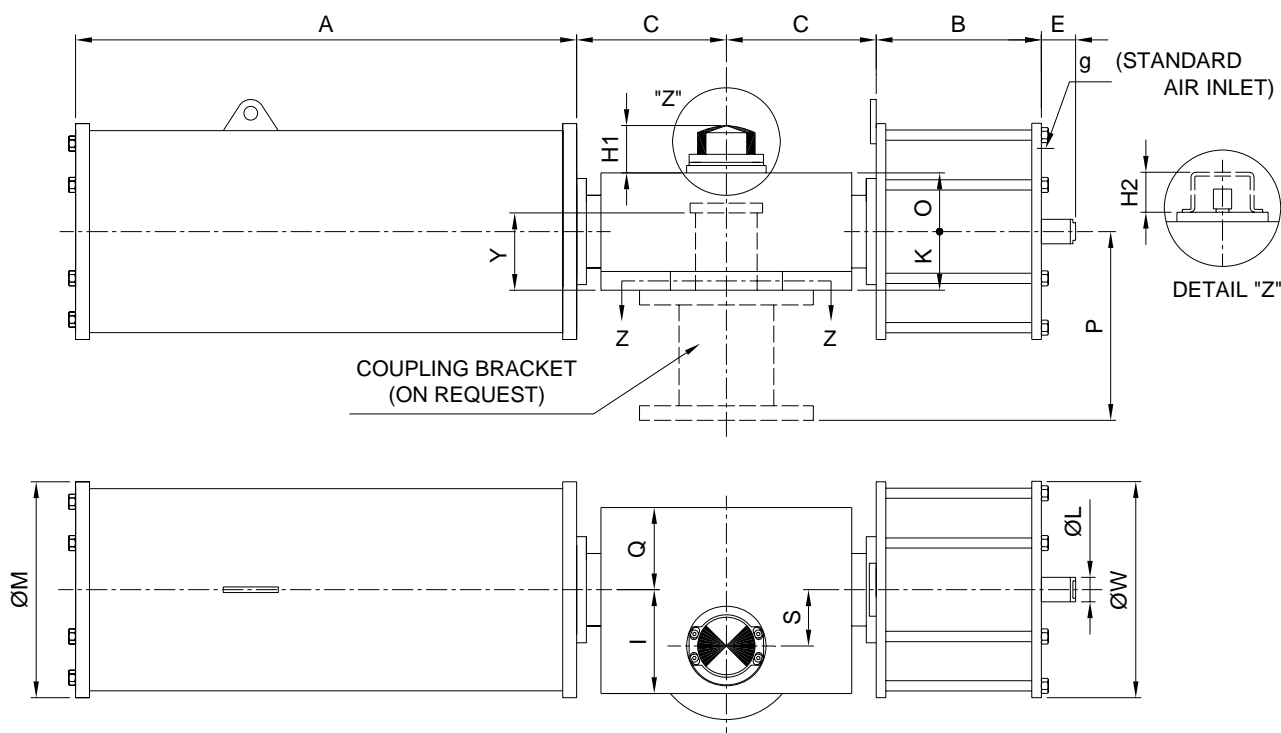
POS.	DESCRIPTION	MATERIAL	POS.	DESCRIPTION	MATERIAL
101	HOUSING	S 275 JR EN 10025	522	SAFETY NUT	CuAlFe3 EN 1982
102	LINK	S 275 JR EN 10025	• 801	O-RING	N.B.R.
105	COVER	S 275 JR EN 10025	• 802	O-RING	N.B.R.
108	LINK JOINT	C 40 EN 10083/2	• 805	O-RING	N.B.R.
109	COVER	S 275 JR EN 10025	• 807	COVER GASKET	N.B.R.
110	SLIDING RING	BzAl EN 1982	• 808	O-RING	N.B.R.
112	CHROM. SHAFT	42CrMo4 EN 10083/1	• 809	O-RING	N.B.R.
117	WASHER	CW 614 N EN 12164	• 810	LIP GASKET	POLYURETHANE
118	CAP	S 275 JR EN 10025	• 811	PISTON DRIVE	PTFE+GRAPHITE
119	STOP SCREW	8.8 EN 898/1	• 812	PISTON GASKET	POLYURETHANE
130	LINK CAP	S 275 JR EN 10025	• 813	PISTON DRIVE	PTFE+GRAPHITE
201	HEAD	P 355 NH EN 10028/3	• 816	O-RING	N.B.R.
202	HEAD	P 355 NH EN 10028/3	• 825	O-RING	N.B.R.
204	CYLINDER (int. chr. plated)	E 355 EN 10297/1	• 826	O-RING	N.B.R.
205	PISTON (till cylinder Ø 420)	SgAlCu3 EN 1706	• 827	GASKET	N.B.R.
205	PISTON (over cylinder Ø 420)	S 275 JR EN 10025	901	BUSHING	STEEL/BRONZE/TEFLON
209	STAY BOLT	42CrMo4 EN 10269	902	BUSHING	STEEL/BRONZE/TEFLON
401	FLANGE	S 275 JR EN 10025	903	BUSHING	STEEL/BRONZE/TEFLON
402	FLANGE	S 275 JR EN 10025	904	BUSHING	STEEL/BRONZE/TEFLON
403	CHROM. SHAFT	C 40 EN 10083/2	905	NUT	6 S EN 20898/2
404	CYLINDER (int. chr. plated)	E 355 EN 10297/1	906	SCREW	8.8 EN 898/1
405	PISTON	S 275 JR EN 10025	907	SCREW	8.8 EN 898/1
406	HEAD	S 275 JR EN 10025	908	SCREW	8.8 EN 898/1
407	HUB	S 275 JR EN 10025	909	SCREW	8.8 EN 898/1
501	INTERNAL FLANGE	S 275 JR EN 10025	910	SEEGER	ALLOY STEEL
502	EXTERNAL FLANGE	S 275 JR EN 10025	911	DOWEL	8.8 EN 898/1
503	SPRING DISC	S 275 JR EN 10025	912	SCREW	8.8 EN 898/1
504	TUBE	S 235 JR EN 10025	923	NUT	6 S EN 20898/2
505	SAFETY TUBE	E 235 SR EN 10305/1	924	SCREW	8.8 EN 898/1
506	SPRING	SPRING ST. EN 10270	928	BUSHING	BSZN5 EN 1982
507	SAFETY BOLT	42CrMo4 EN 10083/1	930	AIR SILENCER	BRASS
508	SPRING DISC	S 275 JR EN 10025	941	NAMUR PIN	AISI 316

• STANDARD SPARE PARTS

PNEUMATIC QUARTER TURN ACTUATOR SCOTCH-YOKE EXECUTION

SINGLE ACTING

TYPE RSPM - RCPM



ACTUATOR DIMENSIONS (mm)

	A	B	C	E	H1	H2	I	K	L	O	Q	S	Y	g
RSPM 2500/...	1400	490	355	75	55	45	240	170	60	130	180	130	150	½ NPT
RCPM 2500/...														
RSPM 4500/...	1810	610	465	110	55	45	295	155	70	155	255	170	170	½ NPT
RCPM 4500/...														
RSPM 7500/...	1950	740	610	130	55	45	385	235	80	185	325	225	220	¾ NPT
RCPM 7500/...														

DRAWING ONLY FOR SPRING TO CLOSE, FOR SPRING TO OPEN DIMENSIONS ARE SYMMETRICAL IN RESPECT TO THE AXIS VALVES

FLANGE DIMENSIONS (mm)

	D	n° x F	G	X	r	t	ISO	ON REQUEST			
								MIN.	MAX.	Xmin	Xmax
RSPM 2500/...	415	8 x M 20	298	90	50,4	25	F 30	F 25	F 35	65	100
RCPM 2500/...											
RSPM 4500/...	475	8 x M 30	356	120	67,4	32	F 35	F 30	F 40	90	130
RCPM 4500/...											
RSPM 7500/...	560	8 x M 36	406	150	83,4	36	F 40	F 35	F 48	145	160
RCPM 7500/...											

SPRING CARTRIDGE DIAMETER (mm)

RSPM 2500/.../...	302	303	304	305	313	324	315	325	40X (1)
RCPM 2500/.../...									
RSPM 4500/.../...			404	405	413	424	415	425	40X (1)
RCPM 4500/.../...									
RSPM 7500/.../...			404	405	413	424	415	425	40X (1)
RCPM 7500/.../...									
DIMENSION "M"	395	465	510	575	465	510	575	575	(1)

X (1) SPECIAL EXECUTION AND DIMENSIONS

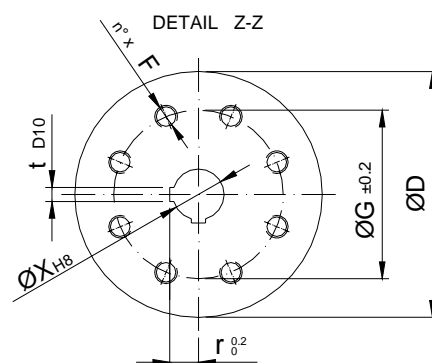
CYLINDER DIAMETER (mm)

TYPE OF CYLINDER	420	500	520	600	620	700	800	900
DIMENSION "W"	540	590	640	695	740	805	930	1050

"H1" - STANDARD INDEX

"H2" - MOUNTING KIT ACCORDING TO VDI-VDE 3845 (ON REQUEST)

"P" - BRACKET ACCORDING TO CUSTOMER REQUIREMENT (ON REQUEST)

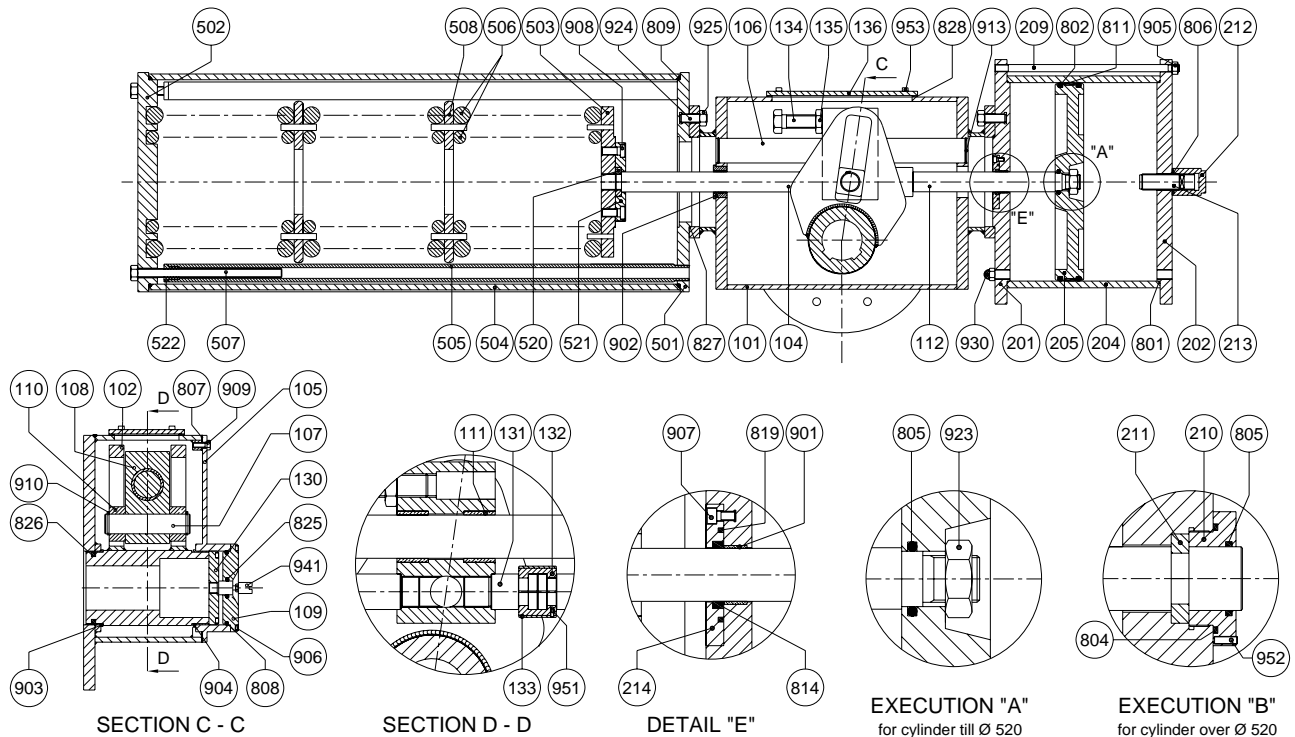


ON REQUEST ISO MALE SPIGOT

PNEUMATIC QUARTER TURN ACTUATOR SCOTCH-YOKE EXECUTION

SINGLE ACTING

TYPE RSPM - RCPM



POS. DESCRIPTION

MATERIAL

POS. DESCRIPTION

MATERIAL

101	HOUSING	S 275 JR	EN 10025
102	LINK	S 275 JR	EN 10025
104	CHROM. SHAFT	42 CrMo4	EN 10083/1
105	COVER	S 275 JR	EN 10025
106	CHROM. SHAFT	42CrMo4	EN 10083/1
107	PIN	42CrMo4	EN 10083/1
108	LINK JOINT	S 275 JR	EN 10025
109	COVER	S 275 JR	EN 10025
110	SLIDING RING	BzAl	EN 1982
111	BUSHING	STEEL/BRONZE/TEFLON	
112	CHROM. SHAFT	42CrMo4	EN 10083/1
130	LINK CAP	S 275 JR	EN 10025
131	INTERMEDIATE SHAFT	42CrMo4	EN 10083/1
132	LINK	42CrMo4	EN 10083/1
133	TUBE	E 235 SR	EN 10305/1
134	STOP SCREW	8.8	EN 898/1
135	BLOCK NUT	6 S	EN 20898/2
136	COVER	S 275 JR	EN 10025
201	HEAD	P 355 NH	EN 10028/3
202	HEAD	P 355 NH	EN 10028/3
204	CYLINDER (int. chr. plated)	E 335	EN 10297/1
205	PISTON (till cylinder Ø 420)	SgAlCu3	EN 1706
205	PISTON (over cylinder Ø 420)	S 275 JR	EN 10025
209	STAY BOLT	42 CrMo4	EN 10269
210	RING NUT	42CrMo4	EN 10083/1
211	HALF RING	42CrMo4	EN 10083/1
212	CAP	S 275 JR	EN 10025
213	STOP SCREW	C 40	EN 10083/2
214	FLANGE	C 40	EN 10083/2
501	INTERNAL FLANGE	S 275 JR	EN 10025
502	EXTERNAL FLANGE	S 275 JR	EN 10025
503	SPRING DISC	S 275 JR	EN 10025
504	TUBE	S 235 JR	EN 10025
505	SAFETY TUBE	E 235 SR	EN 10305/1
506	SPRING	SPRING ST.	EN 10270
507	SAFETY BOLT	42CrMo4	EN 10083/1
508	SPRING DISC	S 275 JR	EN 10025

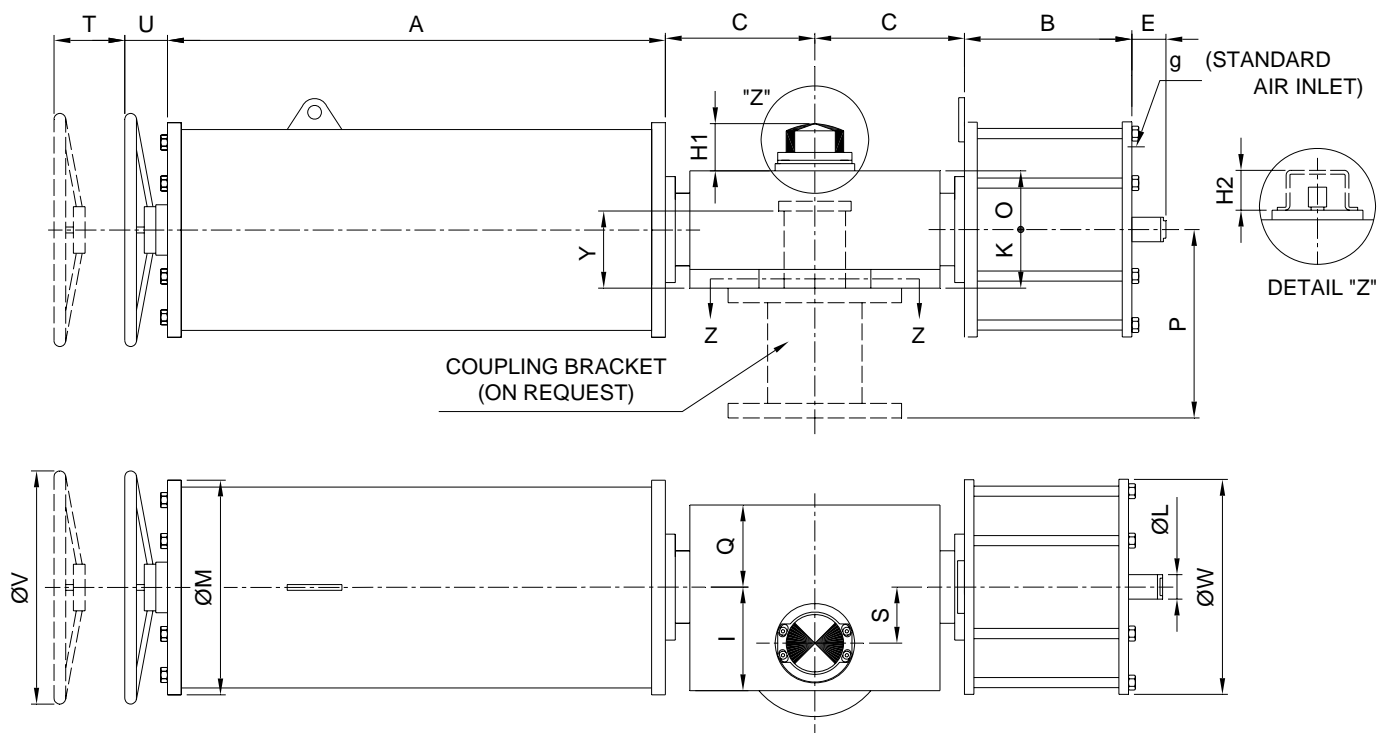
520	RING NUT	42CrMo4	EN 10083/1
521	SPRING FLANGE	42CrMo4	EN 10083/1
522	SAFETY NUT	CuAlFe3	EN 1982
• 801	O-RING	N.B.R.	
• 802	O-RING	N.B.R.	
• 804	O-RING	N.B.R.	
• 805	O-RING	N.B.R.	
• 806	O-RING	N.B.R.	
• 807	COVER GASKET	N.B.R.	
• 808	O-RING	N.B.R.	
809	O-RING	N.B.R.	
• 811	PISTON DRIVE	PTFE+GRAPHITE	
• 814	LIP GASKET	POLYURETHANE	
• 819	O-RING	N.B.R.	
• 825	O-RING	N.B.R.	
• 826	O-RING	N.B.R.	
• 827	O-RING	N.B.R.	
• 828	GASKET	N.B.R.	
901	BUSHING	STEEL/BRONZE/TEFLON	
902	BUSHING	STEEL/BRONZE/TEFLON	
903	BUSHING	STEEL/BRONZE/TEFLON	
904	BUSHING	STEEL/BRONZE/TEFLON	
905	NUT	6 S	EN 20898/2
906	SCREW	8.8	EN 898/1
907	SCREW	8.8	EN 898/1
908	SCREW	8.8	EN 898/1
909	SCREW	8.8	EN 898/1
910	SEEGER	ALLOY STEEL	
913	SEEGER	ALLOY STEEL	
923	NUT	6 S	EN 20898/2
924	PIN	8.8	EN 898/1
925	NUT	6 S	EN 20898/2
930	AIR SILENCER	BRASS	
941	NAMUR PIN	AISI 316	
951	DOWEL	8.8	EN 898/1
952	DOWEL	8.8	EN 898/1
953	SCREW	8.8	EN 898/1

• STANDARD SPARE PARTS

PNEUMATIC QUARTER TURN ACTUATOR SCOTCH-YOKE EXECUTION

SINGLE ACTING WITH HANDWHEEL

TYPE RSPMV - RCPMV



ACTUATOR DIMENSIONS (mm)

	A	B	C	E	H1	H2	I	K	L	O	Q	S	T	U	V	Y	g
RSPMV 2500/...	1400	490	355	75	55	45	240	170	60	130	180	130	300	150	800	150	½ NPT
RCPMV 2500/...																	

DRAWING ONLY FOR SPRING TO CLOSE, FOR SPRING TO OPEN DIMENSIONS ARE SYMMETRICAL IN RESPECT TO THE AXIS VALVES

FLANGE DIMENSIONS (mm)

	D	n° x F	G	X	r	t	ISO	ON REQUEST			
								MIN.	MAX.	Xmin	Xmax
RSPMV 2500/...	415	8 x M 20	298	90	50,4	25	F 30	F 25	F 35	65	100
RCPMV 2500/...											

SPRING CARTRIDGE DIAMETER (mm)

RSPMV 2500/.../...	301	302
RCPMV 2500/.../...		
DIMENSION "M"	345	395

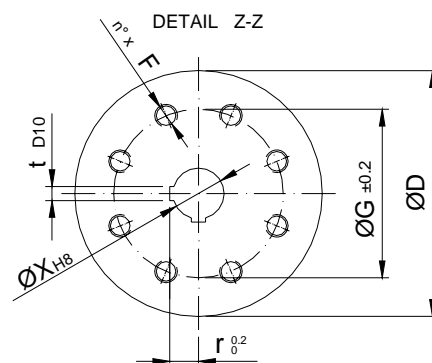
CYLINDER DIAMETER (mm)

TYPE OF CYLINDER	360	420
DIMENSION "W"	465	540

"H1" - STANDARD INDEX

"H2" - MOUNTING KIT ACCORDING TO VDI-VDE 3845 (ON REQUEST)

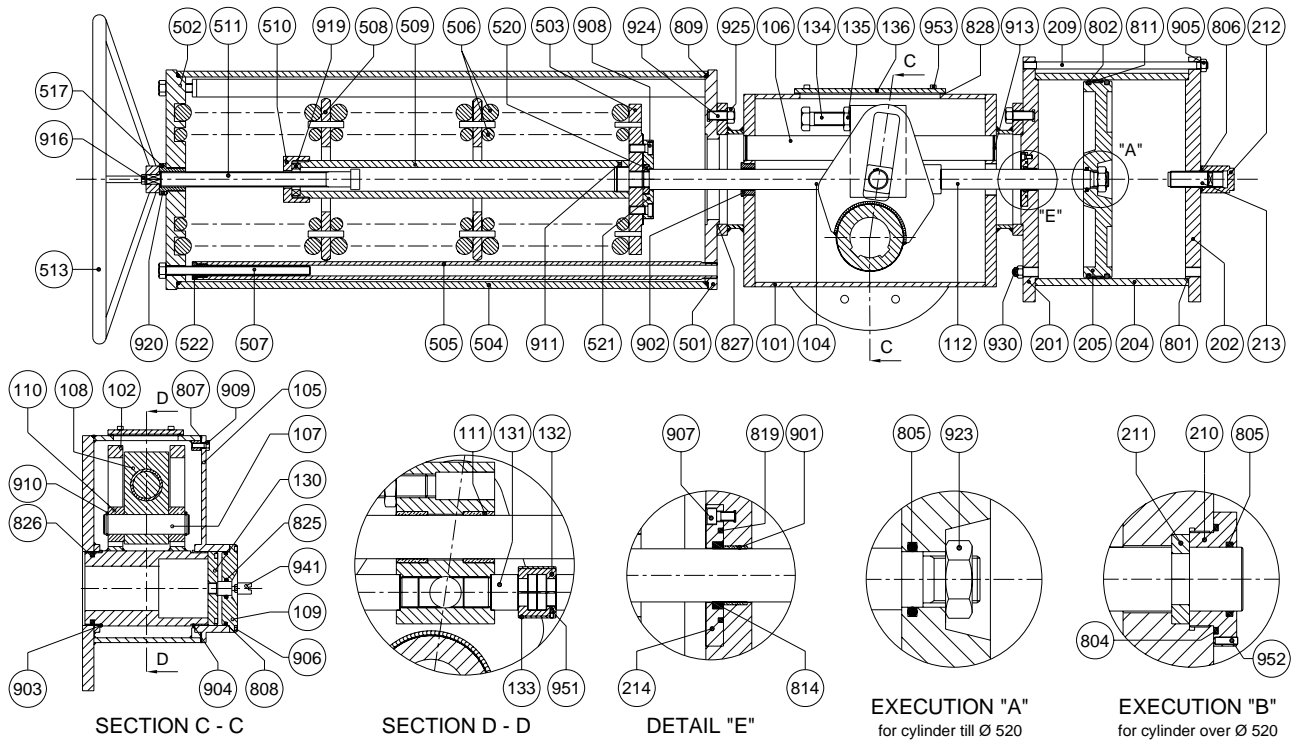
"P" - BRACKET ACCORDING TO CUSTOMER REQUIREMENT (ON REQUEST)



PNEUMATIC QUARTER TURN ACTUATOR SCOTCH-YOKE EXECUTION

SINGLE ACTING WITH HANDWHEEL

TYPE RSPMV - RCPMV



POS. DESCRIPTION

MATERIAL

101	HOUSING	S 275 JR	EN 10025
102	LINK	S 275 JR	EN 10025
104	CHROM. SHAFT	42 CrMo4	EN 10083/1
105	COVER	S 275 JR	EN 10025
106	CHROM. SHAFT	42CrMo4	EN 10083/1
107	PIN	42CrMo4	EN 10083/1
108	LINK JOINT	S 275 JR	EN 10025
109	COVER	S 275 JR	EN 10025
110	SLIDING RING	BzAl	EN 1982
111	BUSHING	STEEL/BRONZE/TEFLON	
112	CHROM. SHAFT	42CrMo4	EN 10083/1
130	LINK CAP	S 275 JR	EN 10025
131	INTERMEDIATE SHAFT	42CrMo4	EN 10083/1
132	LINK	42CrMo4	EN 10083/1
133	TUBE	E 235 SR	EN 10305/1
134	STOP SCREW	8.8	EN 898/1
135	BLOCK NUT	6 S	EN 20898/2
136	COVER	S 275 JR	EN 10025
201	HEAD	P 355 NH	EN 10028/3
202	HEAD	P 355 NH	EN 10028/3
204	CYLINDER (int. chr. plated)	E 335	EN 10297/1
205	PISTON (till cylinder Ø 420)	SgAlCu3	EN 1706
205	PISTON (over cylinder Ø 420)	S 275 JR	EN 10025
209	STAY BOLT	42 CrMo4	EN 10269
210	RING NUT	42CrMo4	EN 10083/1
211	HALF RING	42CrMo4	EN 10083/1
212	CAP	S 275 JR	EN 10025
213	STOP SCREW	C 40	EN 10083/2
214	FLANGE	C 40	EN 10083/2
501	INTERNAL FLANGE	S 275 JR	EN 10025
502	EXTERNAL FLANGE	S 275 JR	EN 10025
503	SPRING DISC	S 275 JR	EN 10025
504	TUBE	S 235 JR	EN 10025
505	SAFETY TUBE	E 235 SR	EN 10305/1
506	SPRING	SPRING ST.	EN 10270
507	SAFETY BOLT	42CrMo4	EN 10083/1
508	SPRING DISC	S 275 JR	EN 10025
509	TUBE SLEEVE	E 235 SR	EN 10305/1
510	RING NUT	C 40	EN 10083/2
511	STEM	X20Cr13	EN 10088
513	HANDWHEEL	E 235 SR	EN 10305/1
517	DRIVE NUT	BSZN5	EN 1982

POS. DESCRIPTION

MATERIAL

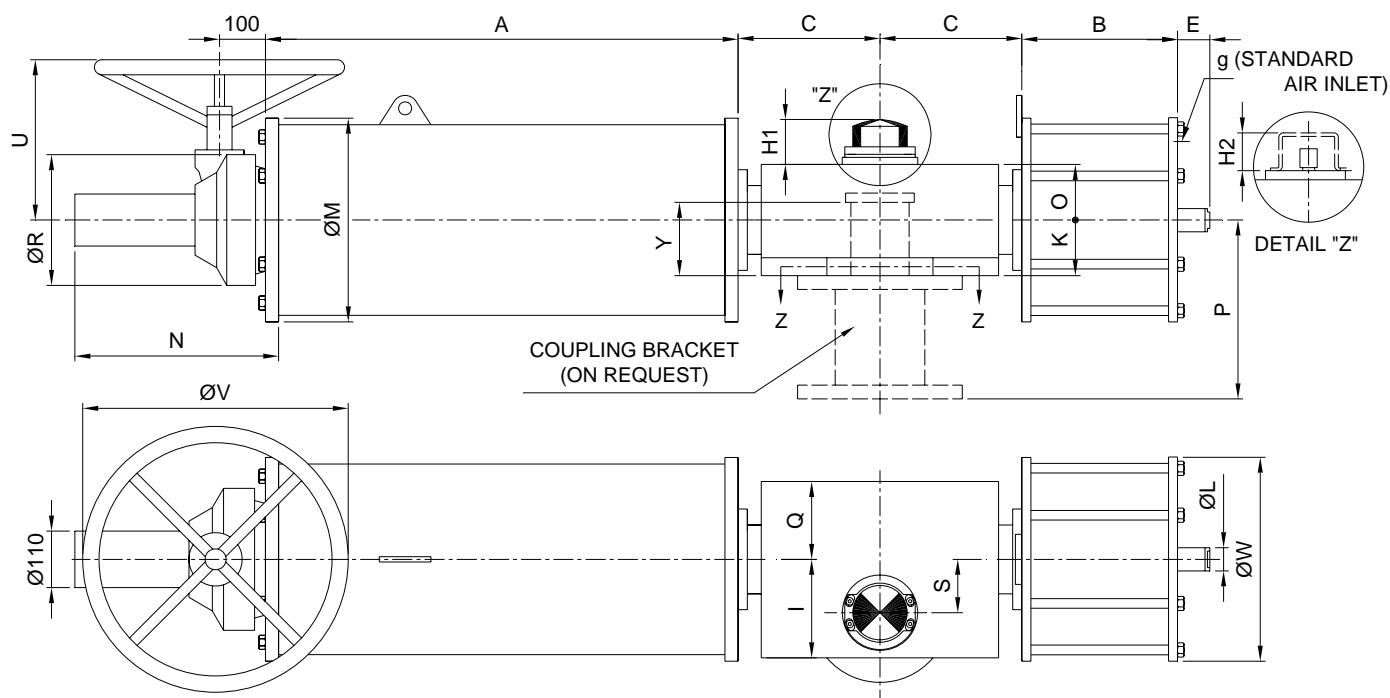
520	RING NUT	42CrMo4	EN 10083/1
521	SPRING FLANGE	42CrMo4	EN 10083/1
522	SAFETY NUT	CuAlFe3	EN 1982
● 801	O-RING	N.B.R.	
● 802	O-RING	N.B.R.	
● 804	O-RING	N.B.R.	
● 805	O-RING	N.B.R.	
● 806	O-RING	N.B.R.	
● 807	COVER GASKET	N.B.R.	
● 808	O-RING	N.B.R.	
● 809	O-RING	N.B.R.	
● 811	PISTON DRIVE	PTFE+GRAPHITE	
● 814	LIP GASKET	POLYURETHANE	
● 819	O-RING	N.B.R.	
● 825	O-RING	N.B.R.	
● 826	O-RING	N.B.R.	
● 827	O-RING	N.B.R.	
● 828	O-RING	N.B.R.	
901	BUSHING	STEEL/BRONZE/TEFLON	
902	BUSHING	STEEL/BRONZE/TEFLON	
903	BUSHING	STEEL/BRONZE/TEFLON	
904	BUSHING	STEEL/BRONZE/TEFLON	
905	NUT	6 S	EN 20898/2
906	SCREW	8.8	EN 898/1
907	SCREW	8.8	EN 898/1
908	SCREW	8.8	EN 898/1
909	SCREW	8.8	EN 898/1
910	SEEGER	ALLOY STEEL	
911	DOWEL	8.8	EN 898/1
913	SEEGER	ALLOY STEEL	
916	SCREW	8.8	EN 898/1
919	ROLLER BEARING	ALLOY STEEL	
920	DOWEL	8.8	EN 898/1
923	NUT	6 S	EN 20898/2
924	PIN	8.8	EN 898/1
925	NUT	6 S	EN 20898/2
930	AIR SILENCER	BRASS	
941	NAMUR PIN	AISI 316	
951	DOWEL	8.8	EN 898/1
952	DOWEL	8.8	EN 898/1
953	SCREW	8.8	EN 898/1

● STANDARD SPARE PARTS

PNEUMATIC QUARTER TURN ACTUATOR SCOTCH-YOKE EXECUTION

SINGLE ACTING WITH MANUAL GEAR

TYPE **RSPMR - RCPMR**



ACTUATOR DIMENSIONS (mm)

	A	B	C	E	H1	H2	I	K	L	N	O	Q	R	S	U	V	Y	g
RSPMR 2500/...	1400	490	355	75	55	55	240	170	60	580	130	180	270	130	510	800	150	½ NPT
RCPMR 2500/...																		
RSPMR 4500/...	1810	610	465	110	55	55	295	155	70	670	155	255	270	170	510	800	170	½ NPT
RCPMR 4500/...																		
RSPMR 7500/...	1950	740	610	130	55	55	385	235	80	780	185	325	270	225	510	800	220	¾ NPT
RCPMR 7500/...																		

DRAWING ONLY FOR SPRING TO CLOSE, FOR SPRING TO OPEN DIMENSIONS ARE SYMMETRICAL IN RESPECT TO THE AXIS VALVES

FLANGE DIMENSIONS (mm)

	D	n° x F	G	X	r	t	ISO	ON REQUEST			
								MIN.	MAX.	Xmin	Xmax
RSPMR 2500/...	415	8 x M 20	298	90	50,4	25	F 30	F 25	F 35	65	100
RCPMR 2500/...											
RSPMR 4500/...	475	8 x M 30	356	120	67,4	32	F 35	F 30	F 40	90	130
RCPMR 4500/...											
RSPMR 7500/...	560	8 x M 36	406	150	83,4	36	F 40	F 35	F 48	145	160
RCPMR 7500/...											

SPRING CARTRIDGE DIAMETER (mm)

RSPMR 2500/.../...	302	303	304	305	313	324	315	325	40X (1)
RCPMR 2500/.../...									
RSPMR 4500/.../...			404	405	413	424	415	425	40X (1)
RCPMR 4500/.../...									
QUOTE "M" (mm)	395	465	510	575	465	510	575	575	(1)

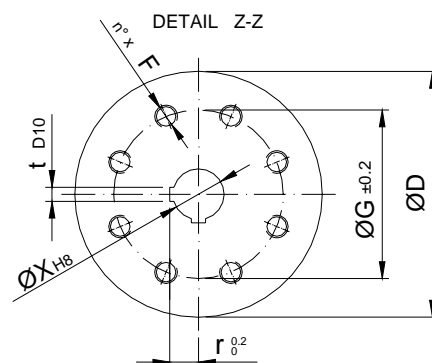
CYLINDER DIAMETER (mm)

TYPE OF CYLINDER	420	500	520	600	620	700	800	900
QUOTE "W" (mm)	540	590	640	695	740	805	930	1050

"H1" - STANDARD INDEX

"H2" - MOUNTING KIT ACCORDING TO VDI-VDE 3845 (ON REQUEST)

"P" - BRACKET ACCORDING TO CUSTOMER REQUIREMENT (ON REQUEST)

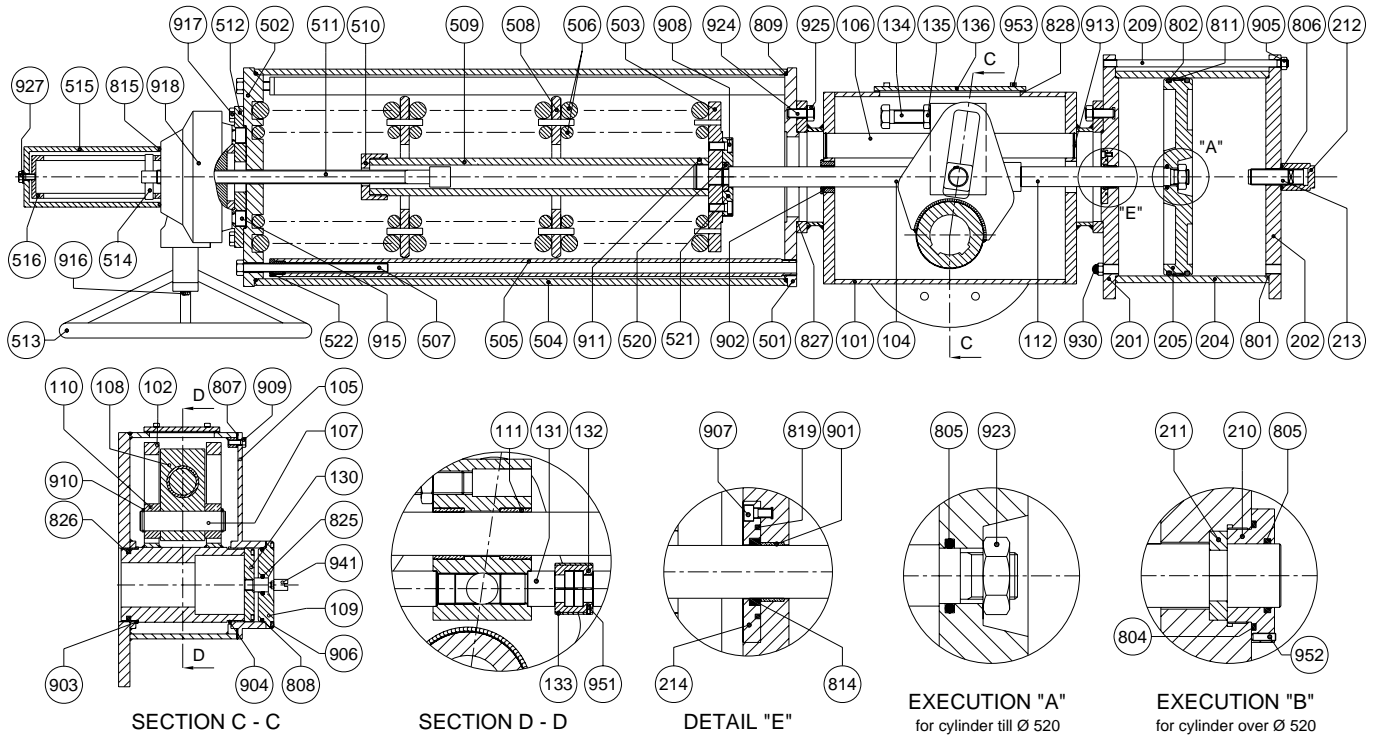


ON REQUEST ISO MALE SPIGOT

PNEUMATIC QUARTER TURN ACTUATOR SCOTCH-YOKE EXECUTION

SINGLE ACTING WITH MANUAL GEAR

TYPE RSPMR - RCPMR



POS. DESCRIPTION

MATERIAL

POS. DESCRIPTION

MATERIAL

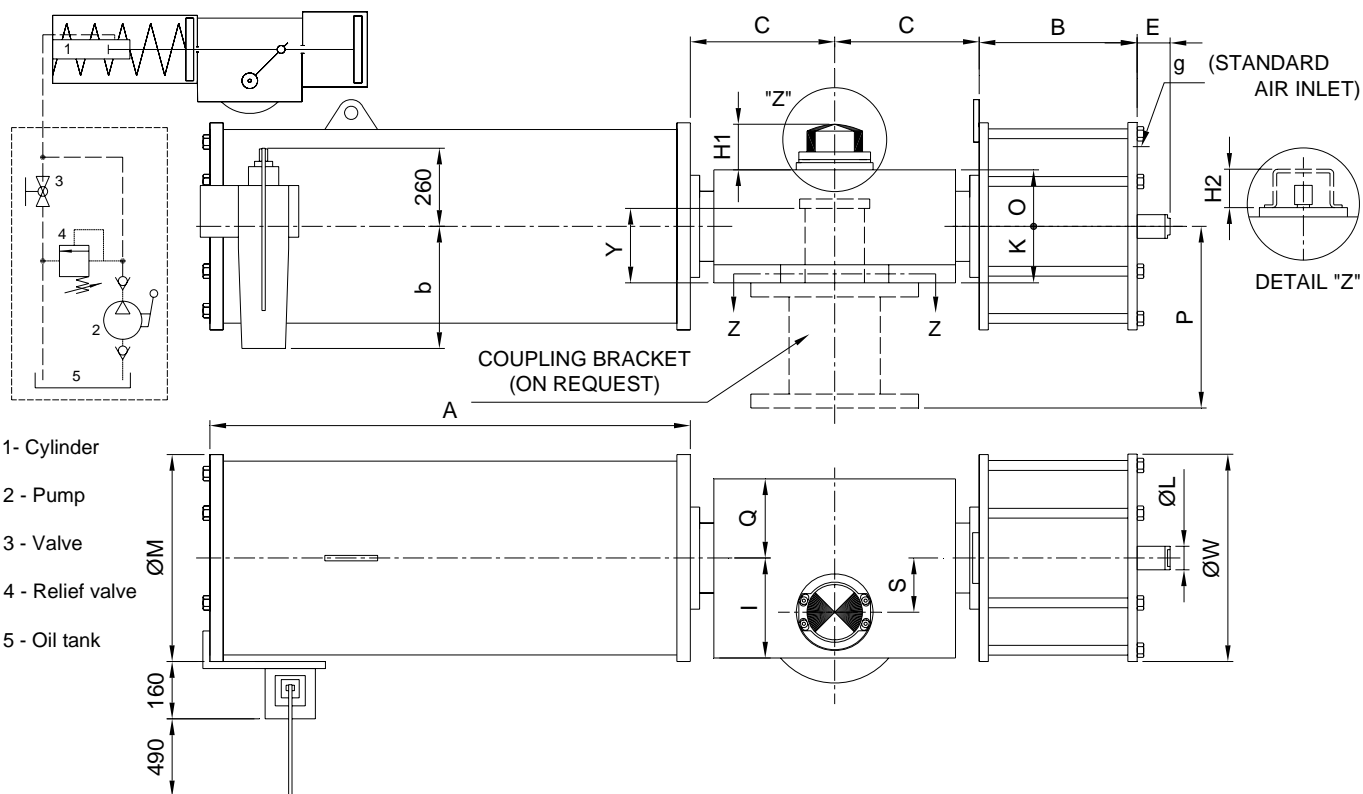
101	HOUSING	S 275 JR	EN 10025	520	RING NUT	42CrMo4	EN 10083/1
102	LINK	S 275 JR	EN 10025	521	SPRING FLANGE	42CrMo4	EN 10083/1
104	CHROM. SHAFT	42CrMo4	EN 10083/1	522	SAFETY NUT	CuAlFe3	EN 1982
105	COVER	S 275 JR	EN 10025	● 801	O-RING	N.B.R.	
106	CHROM. SHAFT	42CrMo4	EN 10083/1	● 802	O-RING	N.B.R.	
107	PIN	42CrMo4	EN 10083/1	● 804	O-RING	N.B.R.	
108	LINK JOINT	S 275 JR	EN 10025	● 805	O-RING	N.B.R.	
109	COVER	S 275 JR	EN 10025	● 806	O-RING	N.B.R.	
110	SLIDING RING	BzAl	EN 1982	● 807	COVER GASKET	N.B.R.	
111	BUSHING	STEEL/BRONZE/TEFLON		● 808	O-RING	N.B.R.	
112	CHROM. SHAFT	42CrMo4	EN 10083/1	● 809	O-RING	N.B.R.	
130	LINK CAP	S 275 JR	EN 10025	● 811	PISTON DRIVE	PTFE+GRAPHITE	
131	INTERMEDIATE SHAFT	42CrMo4	EN 10083/1	● 814	LIP GASKET	POLYURETHANE	
132	LINK	42CrMo4	EN 10083/1	● 815	O-RING	N.B.R.	
133	TUBE	E 235	EN 10305/1	● 819	O-RING	N.B.R.	
134	STOP SCREW	8.8	EN 898/1	● 825	O-RING	N.B.R.	
135	BLOCK NUT	6 S	EN 20898/2	● 826	O-RING	N.B.R.	
136	COVER	S 275 JR	EN 10025	● 827	O-RING	N.B.R.	
201	HEAD	P 355 NH	EN 10028/3	● 828	GASKET	N.B.R.	
202	HEAD	P 355 NH	EN 10028/3	901	BUSHING	STEEL/BRONZE/TEFLON	
204	CYLINDER (int. chr. plated)	E 355 SR	EN 10297/1	902	BUSHING	STEEL/BRONZE/TEFLON	
205	PISTON (till cylinder Ø 420)	SgAlCu3	EN 1706	903	BUSHING	STEEL/BRONZE/TEFLON	
205	PISTON (over cylinder Ø 420)	S 275 JR	EN 10025	904	BUSHING	STEEL/BRONZE/TEFLON	
209	STAY BOLT	42 CrMo4	EN 10269	905	NUT	6 S	EN 20898/2
210	RING NUT	42CrMo4	EN 10083/1	906	SCREW	8.8	EN 898/1
211	HALF RING	42CrMo4	EN 10083/1	907	SCREW	8.8	EN 898/1
212	CAP	S 275 JR	EN 10025	908	SCREW	8.8	EN 898/1
213	STOP SCREW	C 40	EN 10083/2	909	SCREW	8.8	EN 898/1
214	FLANGE	C 40	EN 10083/2	910	SEEGER	ALLOY STEEL	
501	INTERNAL FLANGE	S 275 JR	EN 10025	911	DOWEL	8.8	EN 898/1
502	EXTERNAL FLANGE	S 275 JR	EN 10025	913	SEEGER	ALLOY STEEL	
503	SPRING DISC	S 275 JR	EN 10025	915	SCREW	8.8	EN 898/1
504	TUBE	S 235 JR	EN 10025	916	SCREW	8.8	EN 898/1
505	SAFETY TUBE	E 235 SR	EN 10305/1	917	SCREW	8.8	EN 898/1
506	SPRING	SPRING ST.	EN 10270	918	MANUAL REDUCTOR	CARBON STEEL	
507	SAFETY BOLT	42CrMo4	EN 10083/1	923	NUT	6 S	EN 20898/2
508	SPRING DISC	S 275 JR	EN 10025	924	PIN	8.8	EN 898/1
509	TUBE SLEEVE	E 235 SR	EN 10305/1	925	NUT	6 S	EN 20898/2
510	RING NUT	C 40	EN 10083/2	927	SCREW	8.8	EN 898/1
511	STEM	X20Cr13	EN 10088	930	AIR SILENCER	BRASS	
512	FLANGE	C 40	EN 10083/2	941	NAMUR PIN	AISI 316	
513	HANDWHEEL	E 235 SR	EN 10305/1	951	DOWEL	8.8	EN 898/1
514	PIN	S 275 JR	EN 10025	952	DOWEL	8.8	EN 898/1
515	TUBE	E 235 SR	EN 10305/1	953	SCREW	8.8	EN 898/1
516	TUBE	E 235 SR	EN 10305/1				

● STANDARD SPARE PARTS

PNEUMATIC QUARTER TURN ACTUATOR SCOTCH-YOKE EXECUTION

SINGLE ACTING WITH HAND PUMP

TYPE RSPMH - RCPMH



ACTUATOR DIMENSIONS (mm)

	A	B	C	H1	H2	E	I	K	L	O	Q	S	Y	g
RSPMH 2500/...	1400	490	355	55	45	75	240	170	60	130	180	130	150	½ NPT
RCPMH 2500/...														
RSPMH 4500/...	1800	610	465	55	45	110	295	155	70	155	255	170	170	½ NPT
RCPMH 4500/...														
RSPMH 7500/...	1950	740	610	55	45	130	385	235	80	185	325	225	220	¾ NPT
RCPMH 7500/...														

DRAWING ONLY FOR SPRING TO CLOSE, FOR SPRING TO OPEN DIMENSIONS ARE SYMMETRICAL IN RESPECT TO THE AXIS VALVES

FLANGE DIMENSIONS (mm)

	D	n° x F	G	X	r	t	ISO	ON REQUEST			
								MIN.	MAX.	Xmin	Xmax
RSPMH 2500/...	415	8 x M 20	298	90	50,4	25	F 30	F 25	F 35	65	100
RCPMH 2500/...											
RSPMH 4500/...	475	8 x M 30	356	120	67,4	32	F 35	F 30	F 40	90	130
RCPMH 4500/...											
RSPMH 7500/...	560	8 x M 36	406	150	83,4	36	F 40	F 35	F 48	145	160
RCPMH 7500/...											

SPRING CARTRIDGE DIAMETER (mm)

RSPMH 2500/.../...	302	303	304	305	313	324	315	325	40X (1)
RCPMH 2500/.../...									
RSPMH 4500/.../...			404	405	413	424	415	425	40X (1)
RCPMH 4500/.../...									
RSPMH 7500/.../...			404	405	413	424	415	425	40X (1)
RCPMH 7500/.../...									
DIMENSION "M"	395	465	510	575	465	510	575	575	(1)

CYLINDER DIAMETER (mm)

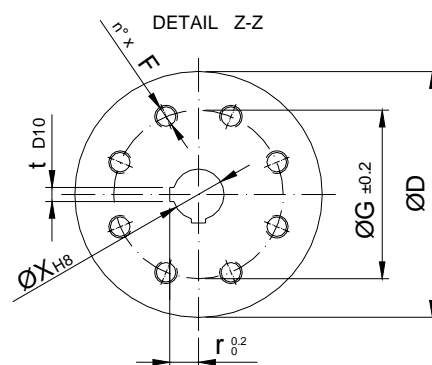
TYPE OF CYLINDER	420	500	520	600	620	700	800	900
DIMENSION "W"	540	590	640	695	740	805	930	1050

QUOTE "b" - TO BE DEFINED

"H1" - STANDARD INDEX

"H2" - MOUNTING KIT ACCORDING TO VDI-VDE 3845 (ON REQUEST)

"P" - BRACKET ACCORDING TO CUSTOMER REQUIREMENT (ON REQUEST)

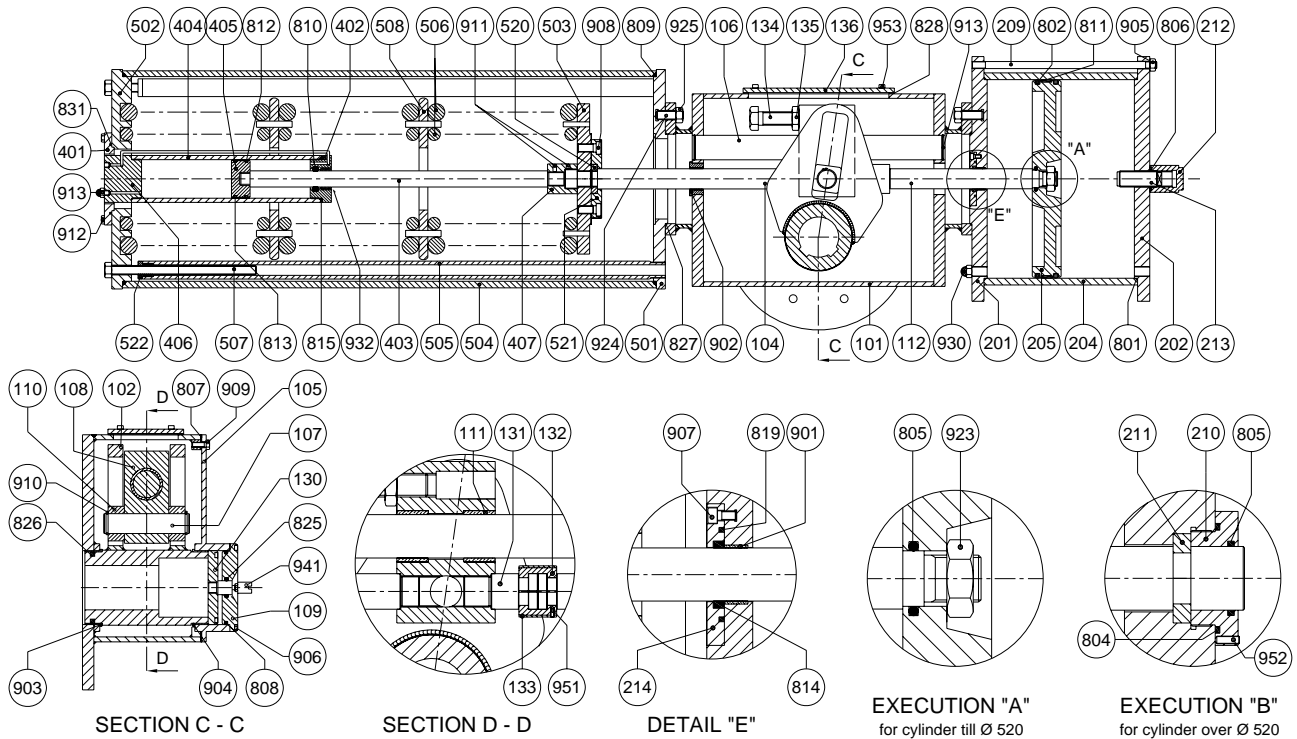


ON REQUEST ISO MALE SPIGOT

PNEUMATIC QUARTER TURN ACTUATOR SCOTCH-YOKE EXECUTION

SINGLE ACTING WITH HAND PUMP

TYPE RSPMH - RCPMH



POS.	DESCRIPTION	MATERIAL	POS.	DESCRIPTION	MATERIAL
101	HOUSING	S 275 JR EN 10025	521	SPRING FLANGE	42CrMo4 EN 10083/1
102	LINK	S 275 JR EN 10025	522	SAFETY NUT	CuAlFe3 EN 1982
104	CHROM. SHAFT	42CrMo4 EN 10083/1	● 801	O-RING	N.B.R.
105	COVER	S 275 JR EN 10025	● 802	O-RING	N.B.R.
106	CHROM. SHAFT	42CrMo4 EN 10083/1	● 804	O-RING	N.B.R.
107	PIN	42CrMo4 EN 10083/1	● 805	O-RING	N.B.R.
108	LINK JOINT	S 275 JR EN 10025	● 806	O-RING	N.B.R.
109	COVER	S 275 JR EN 10025	● 807	COVER GASKET	N.B.R.
110	SLIDING RING	BzAl EN 1982	● 808	O-RING	N.B.R.
111	BUSHING	STEEL/BRONZE/TEFLON	● 809	O-RING	N.B.R.
112	CHROM. SHAFT	42CrMo4 EN 10083/1	● 810	LIP GASKET	POLYURETHANE
130	LINK CAP	S 275 JR EN 10025	● 811	PISTON DRIVE	PTFE+GRAPHITE
131	INTERMEDIATE SHAFT	42CrMo4 EN 10083/1	● 812	PISTON GASKET	POLYURETHANE
132	LINK	42CrMo4 EN 10083/1	● 813	PISTON DRIVE	PTFE+GRAPHITE
133	TUBE	E 235 SR EN 10305/1	● 814	LIP GASKET	POLYURETHANE
134	STOP SCREW	8.8 EN 898/1	● 815	O-RING	N.B.R.
135	BLOCK NUT	6 S EN 20898/2	● 819	O-RING	N.B.R.
136	COVER	S S25 JR EN 10025	● 825	O-RING	N.B.R.
201	HEAD	P 355 NH EN 10028/3	● 826	O-RING	N.B.R.
202	HEAD	P 355 NH EN 10028/3	● 827	O-RING	N.B.R.
204	CYLINDER (int. chr. plated)	E 355 EN 10297/1	● 828	GASKET	N.B.R.
205	PISTON (till cylinder Ø 420)	SgAlCu3 EN 1706	● 831	O-RING	N.B.R.
205	PISTON (over cylinder Ø 420)	S 275 JR EN 10025	901	BUSHING	STEEL/BRONZE/TEFLON
209	STAY BOLT	42 CrMo4 EN 10269	902	BUSHING	STEEL/BRONZE/TEFLON
210	RING NUT	42CrMo4 EN 10083/1	903	BUSHING	STEEL/BRONZE/TEFLON
211	HALF RING	42CrMo4 EN 10083/1	904	BUSHING	STEEL/BRONZE/TEFLON
212	CAP	S 275 JR EN 10025	905	NUT	6 S EN 20898/2
213	STOP SCREW	C 40 EN 10083/2	906	SCREW	8.8 EN 898/1
214	FLANGE	C 40 EN 10083/2	907	SCREW	8.8 EN 898/1
401	FLANGE	S 275 JR EN 10025	908	SCREW	8.8 EN 898/1
402	FLANGE	S 275 JR EN 10025	909	SCREW	8.8 EN 898/1
403	CHROM. SHAFT	C 40 EN 10083/2	910	SEEGER	ALLOY STEEL
404	CYLINDER (int. chr. plated)	E 355 EN 10297/1	911	DOWEL	8.8 EN 898/1
405	PISTON	S 275 JR EN 10025	912	SCREW	8.8 EN 898/1
406	HEAD	S 275 JR EN 10025	913	SEEGER	ALLOY STEEL
407	HUB	S 275 JR EN 10025	923	NUT	6 S EN 20898/2
501	INTERNAL FLANGE	S 275 JR EN 10025	924	PIN	8.8 EN 898/1
502	EXTERNAL FLANGE	S 275 JR EN 10025	925	NUT	6 S EN 20898/2
503	SPRING DISC	S 275 JR EN 10025	930	AIR SILENCER	BRASS
504	TUBE	S 235 JR EN 10025	932	BUSHING	BSZN5 EN 1982
505	SAFETY TUBE	E 235 SR EN 10305/1	941	NAMUR PIN	AISI 316
506	SPRING	SPRING ST. EN 10270	951	DOWEL	8.8 EN 898/1
507	SAFETY BOLT	42CrMo4 EN 10083/1	952	DOWEL	8.8 EN 898/1
508	SPRING DISC	S 275 JR EN 10025	953	SCREW	8.8 EN 898/1
520	RING NUT	42CrMo4 EN 10083/1			

● STANDARD SPARE PARTS

PNEUMATIC QUARTER TURN ACTUATOR SCOTCH-YOKE EXECUTION

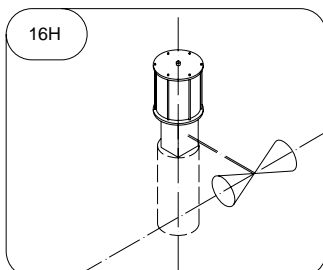
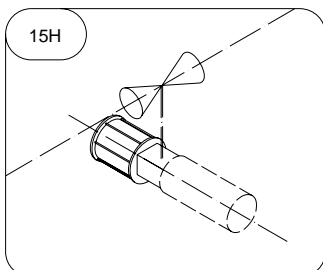
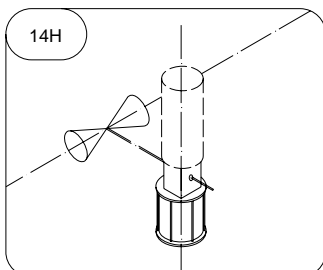
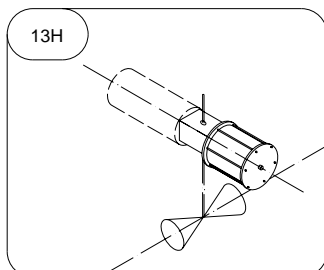
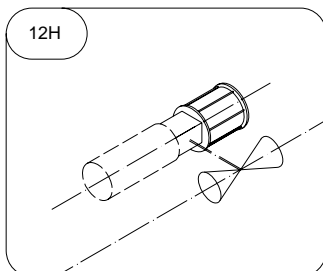
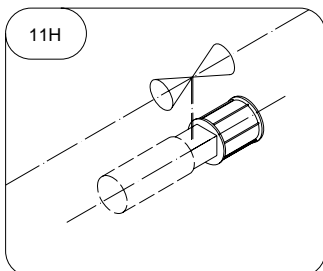
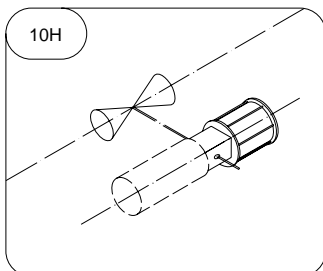
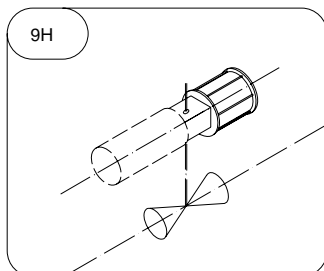
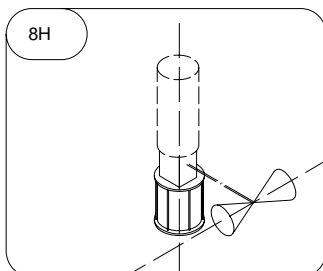
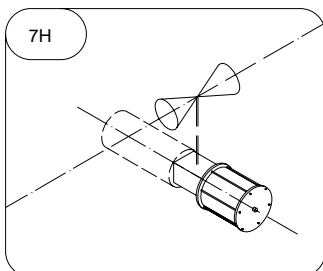
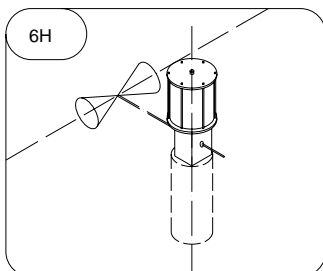
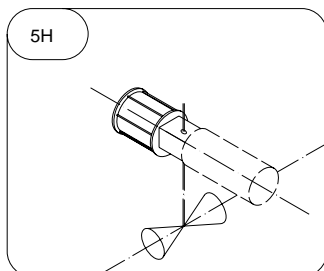
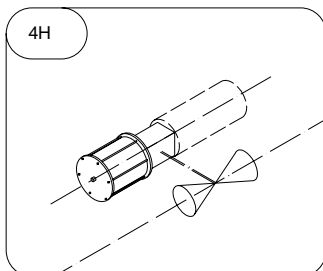
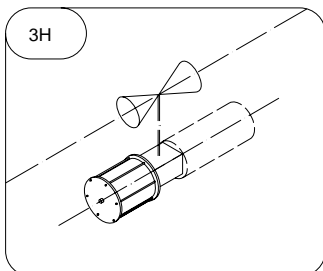
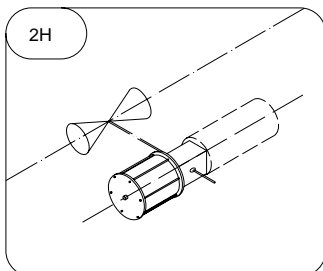
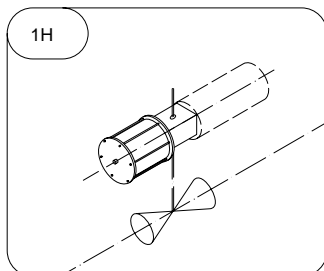
VALVE - ACTUATOR COUPLING

VALVE BOTTOM
ACTUATOR ABOVE

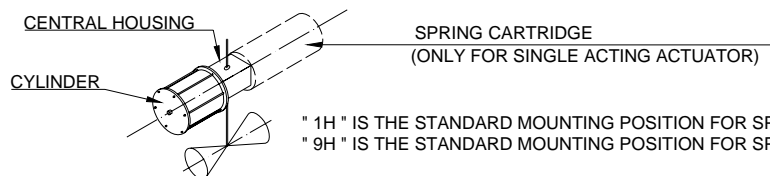
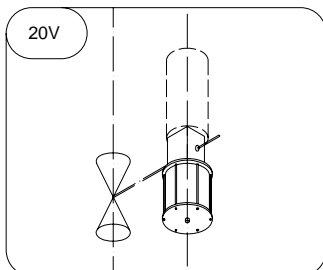
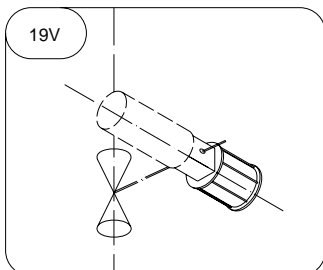
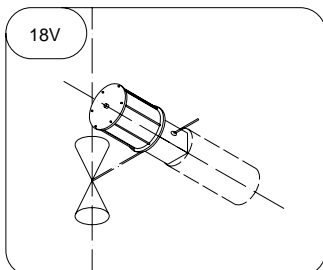
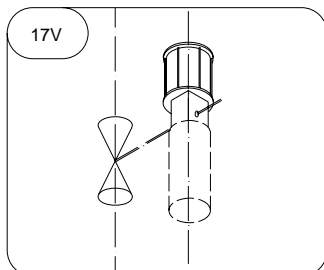
VALVE LEFT SIDE

VALVE ABOVE
ACTUATOR BOTTOM

VALVE RIGHT SIDE



VALVE VERTICAL PIPE



"1H" IS THE STANDARD MOUNTING POSITION FOR SPRING TO OPEN.
"9H" IS THE STANDARD MOUNTING POSITION FOR SPRING TO CLOSE.